

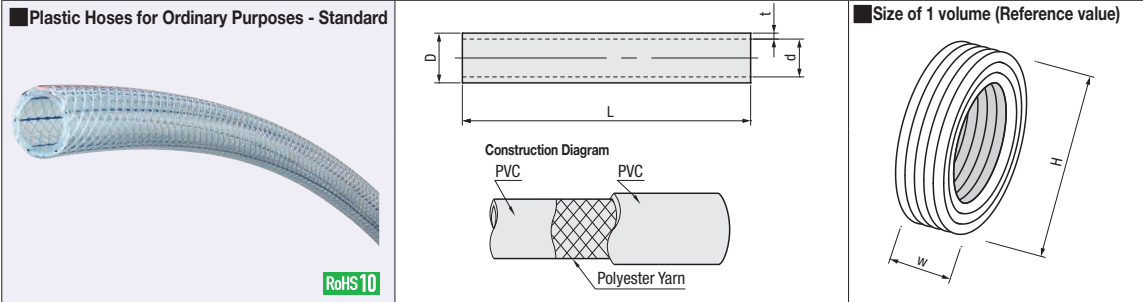
Plastic Hoses for Ordinary Purposes

Note that, for some of the types shown here, order might be unable to be received by the MISUMI Indonesia offices.



Plastic Hoses for Ordinary Purposes

Points of comparison between similar products | Hose Thickness: 3.0 - 4.0mm, Hose Length Configurable in 0.1m Increment, RoHS Compliant



Part Number	Hose Length		d	D	t	Operating Temp. Range (°C)	Operating Pressure (MPa)	Min. Bending Radius (mm)	Mass kg/m	Size of 1 volume (Reference)			Fixed Length		Configurable Length
	Type	Hose Nominal I.D.								Fixed (m)	Configurable (0.1mm Increment)	H	W	Weight (kg)	
HOTR (Fixed Length)	9	50	9	15.0	3.0	-5~60	0~1.0	45	0.15	400	150	7.5	1 - 2 Coil(s)	Hose Unit Price/m	
										470	240	15			
	12	50								450	150	9.5			
										510	240	19			
	15	50								560	160	13.5			
										620	240	27			
19	50	95	240	16											
		140	270	25											
HOTRL (Configurable Length)	25	50	19	26.0	3.5	0~0.6	95	0.32	520	240	16	1 - 2 Coil(s)	Hose Unit Price/m		
			25	33.0	4.0				640	270	25				

Fixed Length: For orders larger than indicated quantity, please check with WOS.

Ordering Example

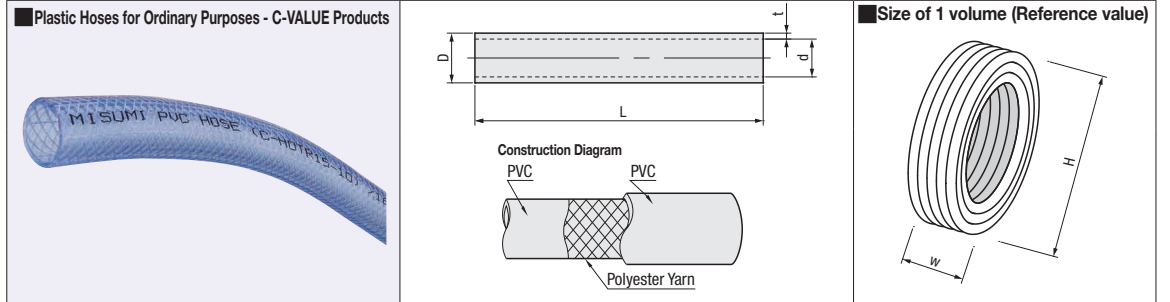
Part Number - Hose Length

HOTR9 - 100

HOTRL19 - 15.5

Points of comparison between similar products | Hose Thickness: 2.0 - 2.5mm, Length: Standardized short winding, RoHS non-compliant

For similar parts P.1315



Part Number	Hose Length (m)	d Inner Dia. (mm)	D Outer Dia. (mm)	t Thickness (mm)	Operating Temp. Range (°C)	Operating Pressure (MPa)	Mass kg/m	Size of 1 volume (Reference)			Unit Price	
								H	W	Weight (kg)	1-4 turn(s)	
C-HOTR	20	9	13.0	2.0	0~60	0~0.8	0.09	260	100	1.8	1 - 2 Coil(s)	Hose Unit Price/m
								470	180	9.0		
	100	12	16.5	2.3	0~0.8	0.13	340	120	2.6			
							590	210	13.0			
	20	16	19.5	1.8	0~60	0.12	340	100	1.2			
							590	180	6.0			
	50	19	22.8	1.9	0~0.6	0.16	340	110	1.6			
							540	210	8.0			
	10	25	29.8	2.4	0~0.6	0.27	450	120	2.7			
							720	220	13.5			
	50	25	29.8	2.4	0~0.6	0.27	450	120	2.7			
							720	220	13.5			

In some products, there is a slight deviation between the nominal I.D. and the I.D.

Ordering Example

Part Number - Hose Length

C-HOTR19 - 10

Features

When compared to similar parts, the economical aspect was mainly emphasized. Short length (10 ~ 20M) parts are stocked to facilitate purchasing. <Not RoHS Compliant>

Precautions for Use

Since the thickness is slightly less than that in similar parts, avoid using in places where there is a sharp bend or where there is a possibility that the part may get crushed.

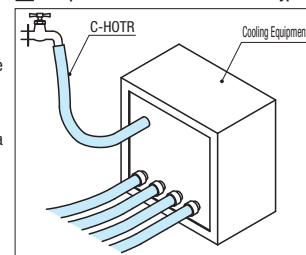
C-VALUE Products - Recommended applications

When pressure calculations are not required such as during supply to or drainage from cooling tanks.

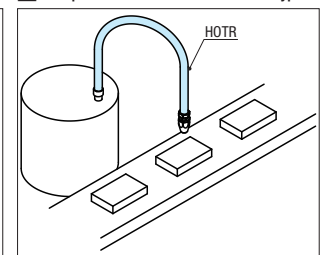
Similar Parts - Recommended applications

When a stable flow of a fluid at a calculated pressure is required, such as when a fixed amount of fluid flow is required.

Examples of Recommended C-VALUE Type

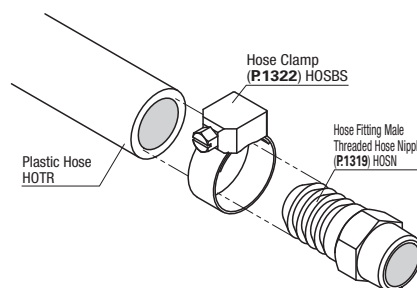


Examples of Recommended Standard Type



Selection Table of Plastic Hoses for Ordinary Purposes

TYPE	HOTR	C-HOTR	HOTRS	HOTG	HOTSG
	Standard Type P.1315	C-VALUE Products P.1316	Oil-Resistant P.1317	High Strength P.1317	High Pressure P.1317
Main Material	Polyvinyl Chloride	PVC	Polyvinyl Chloride	Polyvinyl Chloride	Polyvinyl Chloride
Reinforcement	Polyester Yarn	Polyester Yarn	Polyester Yarn	PET	Polyester Yarn
I.D. (mm)	9~25	9~25	9~25	9~25	9~25
Max. Operating Temperature Range (°C)	-5~60	0~60	-5~60	-5~60	-5~60
Max. Operating Pressure (Mpa)	0.6~1.0	0.6~0.8	0.6~1.0	0.4~0.8	1.0~1.5
Flexibility	★★★★★	★★★★★	★★★★★	★★★★	★★★★
Transparency	★★★★★	★★★★	★★★★	★★★★	★★
Oil Resistance	★★★★	★	★★★★★	★★★★★	★★★★★
Property of Withstanding Pressure	★★★★	★★	★★★★	★★★★	★★★★★
Crush Strength	★★	★	★★	★★★★	★★
Vacuum Strength				★★★★★	
Lightness	★★★★	★★★★★	★★★★	★★★★	★★★★
Economical	★★	★★★★★	★★	★	★
Days to Ship	3 Days / Express Service A	In Stock Products	3 Days / Express Service A	3 Days / Express Service A	3 Days / Express Service A



Example of Combination Product

Hose Nominal I.D.	Mounting Thread Size (PT)	Hose Fittings - Male Threaded Hose Nipple (P.1319)		Fluid Coupler (P.1421)		Hose Clamps (P.1421)	
		Brass	Stainless Steel	Plug (Brass)	Socket (Brass)	Applicable Hose: C-HOTR	Applicable Hose: HOTR
9	R 1/4	HOSN92	HOSNS92	QNPHC9	QNSHC9	HOSBS13N	HOSBS13N
	R 3/8	HOSN93	HOSNS93				
12	R 3/8	HOSN123	HOSNS123	QNPHC12	QNSHC12	HOSBS16N	HOSBS16N
	R 1/2	HOSN124	HOSNS124				
15	R 3/8	HOSN153	HOSNS153	-	-	HOSBS19N	HOSBS19N
	R 1/2	HOSN154	HOSNS154				
19	R 1/2	HOSN194	HOSNS194	QNPHC19	QNSHC19	HOSBS22N	HOSBS22N
	R 3/4	HOSN196	HOSNS196				
25	R 1	HOSN258	HOSNS258	QNPHC25	QNSHC25	HOSBS28N	HOSBS28N