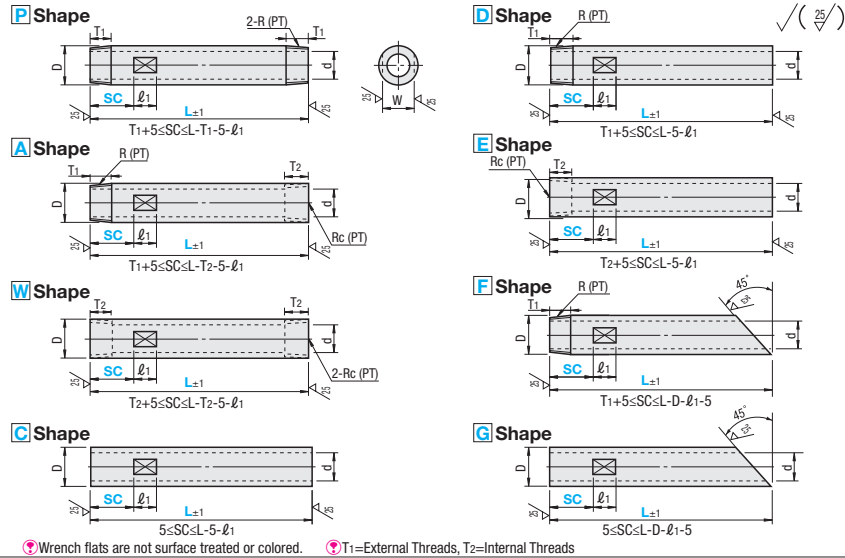


Steel Pipe Wrench Flats



Part Number	Material	Application	Surface Treatment
SSGG	SGP	Pneumatic Pipes for Low Operating Pressure Steam/Water/Oil/Gas	-
SSGP	SGPW	Pipes for draining water, air conditioning, etc.	Zinc Plating
SSUT	SUS304TP	Corrosion / Low Temperature / High Temperature Resistant Pipes	-
SSUTS	SUS316TP	Corrosion / Low Temperature / High Temperature Resistant Pipes	-



Type	Shape	No.	Paint Color Selection	L 1mm Increment	SC: 1mm Increment	W	d ₁	R (PT) RC (PT)	T ₁	T ₂	SSGG		SSGP		SSUT / SSUTS	
											D	d	D	d	D	d
SSGG	P	6A	Not specified (Unpainted)	30~1500	5~100	8	8	1/8	10	15	10.5	6.5	-	-	10.5	5.7
		8A		40~1500		12	10	1/4	15	20	13.8	9.2	13.8	9.2	13.8	7.8
		10A		40 (43)~1500		16	10	3/8	17	16	17.3	12.7	17.3	12.7	17.3	10.9
		15A		50 (55)~1500		19	10	1/2	20	18	21.7	16.1	21.7	16.1	21.7	16.1
		20A		50 (65)~1500		24	15	3/4	23	20	27.2	21.6	27.2	21.6	27.2	21.4
SSGP	W	6A	Y (Light Blue)	60 (75)~1500	Specifiable range is limited depending on the shape. Refer to the formula below each drawing.	30	15	1	25	22	34.0	27.6	34.0	27.6	34.0	27.2
		8A		40~1500		12	10	1/4	15	20	13.8	9.2	13.8	9.2	13.8	7.8
10A	40 (43)~1500	16		10		3/8	17	16	17.3	12.7	17.3	12.7	17.3	10.9		
15A	50 (55)~1500	19		10		1/2	20	18	21.7	16.1	21.7	16.1	21.7	16.1		
20A	50 (65)~1500	24		15		3/4	23	20	27.2	21.6	27.2	21.6	27.2	21.4		
SSUT	C	6A	B (Black)	30~1500	5~100	8	8	1/8	10	15	10.5	6.5	-	-	10.5	5.7
		8A		40~1500		12	10	1/4	15	20	13.8	9.2	13.8	9.2	13.8	7.8
		10A		40 (43)~1500		16	10	3/8	17	16	17.3	12.7	17.3	12.7	17.3	10.9
		15A		50 (55)~1500		19	10	1/2	20	18	21.7	16.1	21.7	16.1	21.7	16.1
		20A		50 (65)~1500		24	15	3/4	23	20	27.2	21.6	27.2	21.6	27.2	21.4
SSUTS	D	6A	R (Dark Red)	30~1500	5~100	8	8	1/8	10	15	10.5	6.5	-	-	10.5	5.7
		8A		40~1500		12	10	1/4	15	20	13.8	9.2	13.8	9.2	13.8	7.8
		10A		40 (43)~1500		16	10	3/8	17	16	17.3	12.7	17.3	12.7	17.3	10.9
		15A		50 (55)~1500		19	10	1/2	20	18	21.7	16.1	21.7	16.1	21.7	16.1
		20A		50 (65)~1500		24	15	3/4	23	20	27.2	21.6	27.2	21.6	27.2	21.4

L Dimensions in () are for Shape F and G. Specifiable L dimension and SC dimension are limited depending on the shape. Refer to the formula below each drawing.
 Painted pipes are available for No.6A ~ 25A of SSGP and SSUT.

Ordering Example	Part Number	Paint Color	L	SC
	SSGGP8A	-	200	SC20
	SSUTD15A	BR	500	SC50

Type	No.	Unit Price (without Painting)					Unit Price C Shape					Unit Price Shape D, E and G				
		Min. L ~ 250	L251-500	L501-750	L751-1000	L1001-1500	Min. L ~ 250	L251-500	L501-750	L751-1000	L1001-1500	Min. L ~ 250	L251-500	L501-750	L751-1000	L1001-1500
SSGG	6A															
	8A															
	10A															
	15A															
	20A															
SSGP	6A															
	8A															
	10A															
	15A															
	20A															
SSUT	6A															
	8A															
	10A															
	15A															
	20A															
SSUTS	6A															
	8A															
	10A															
	15A															
	20A															

Additional Painting Charge (added to the price on the left side table)

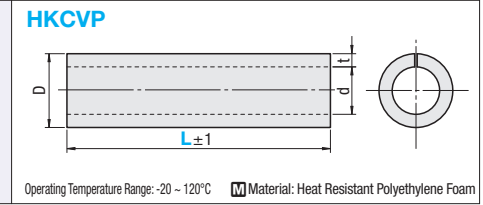
No.	Unit Price				
	Min. L ~ 250	L251-500	L501-750	L751-1000	L1001-1500
6A					
8A					
10A					
15A					
20A					
25A					

No.	Unit Price				
	Min. L ~ 250	L251-500	L501-750	L751-1000	L1001-1500
6A					
8A					
10A					
15A					
20A					
25A					

(Ex.) Part Number - Paint Color - L >>
 SSUTP6A - R - 200
 (Unit Price without Painting) + (Painting Charge) = (Unit Price with Painting)
 For detailed paint colors, see P.1265.

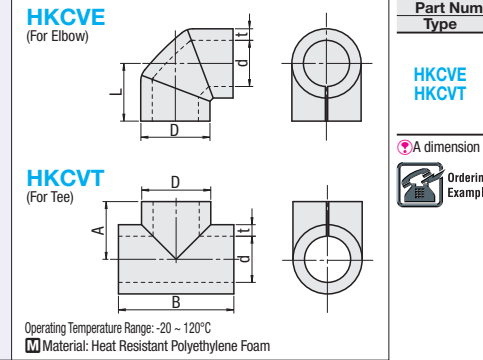
Heat/Cold Retention Pipe Covers / L-Shaped Angles for Steel Pipes

Heat/Cold Retention Pipe Covers for Pipes



Part Number	Type	No.	L 1mm Increment	D	d	t	Unit Price				
							L30-250	L251-500	L501-750	L751-1000	L1001-1500
HKCVP	6A	8A	30-1500	26	10	8					
		10A									
		15A									
		20A									
		25A									
		32A									
		40A									
50A											

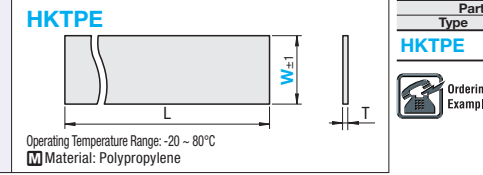
Heat/Cold Retention Pipe Covers for Elbow / Tee



Part Number	Type	No.	D	d	t	L	A	B	Unit Price	
									HKCVE	HKCVT
HKCVE	HKCVT	6A	32	16	8	24	32	64		
		8A	36	20	8	26	34	68		
		10A	44	24	10	32	40	80		
		15A	48	28	10	34	42	84		
		20A	54	34	10	36	44	88		
25A	63	43	10	40	50	100				

A dimension and B dimension are applicable only for HKCVT.
 Ordering Example: Part Number - L
 HKCVP6A - 100
 HKCVE6A

Pipe Covering Tape

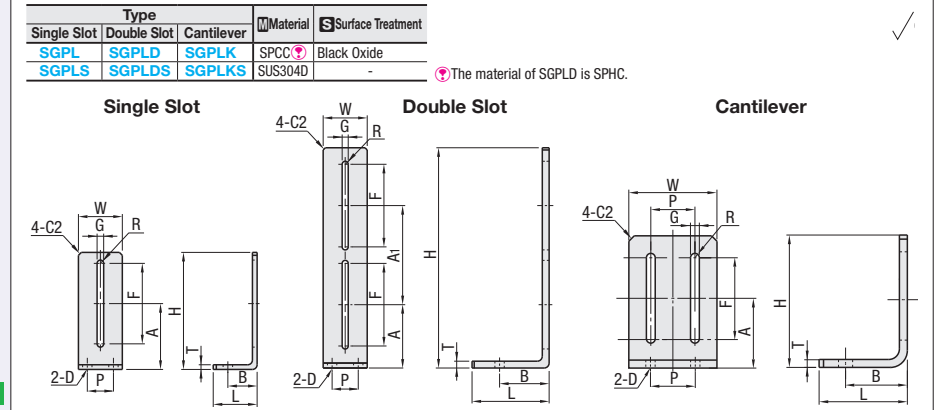


Part Number	Type	W (mm)	L (m)	T (mm)	Unit Price	Volume Discount Rate
HKTPE		25	55	0.12		
		50				

Ordering Example: Part Number
HKTPE25

For orders larger than indicated quantity, please check with WOS.

L-Shaped Angles for Steel Pipes



Part Number	Type	U-Bolt Thread Size M	T	SGPL	SGPLS	H	L	W	D		P	B	A	F	G		Unit Price														
									Hole Dia.	Applicable Screw					Slotted Hole	Applicable Screw	SGPL	SGPLS													
Single Slot SGPL SGPLS		4	3.2	3	80	30	30	5.5	M5	20	20	45	55	4.5	M4	2.25															
																	5	100	40	40	6.5	M6	25	30	55	70	6.5	M6	3.25		

P.237 Use with flat washers (PWF, SPWF) is recommended. For detailed U bolt dimensions, see P.1270.
 Ordering Example: Part Number
 SGPL4

