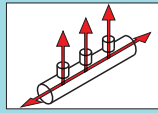


# Pipe Manifolds

## 1 Way Female Threaded Type



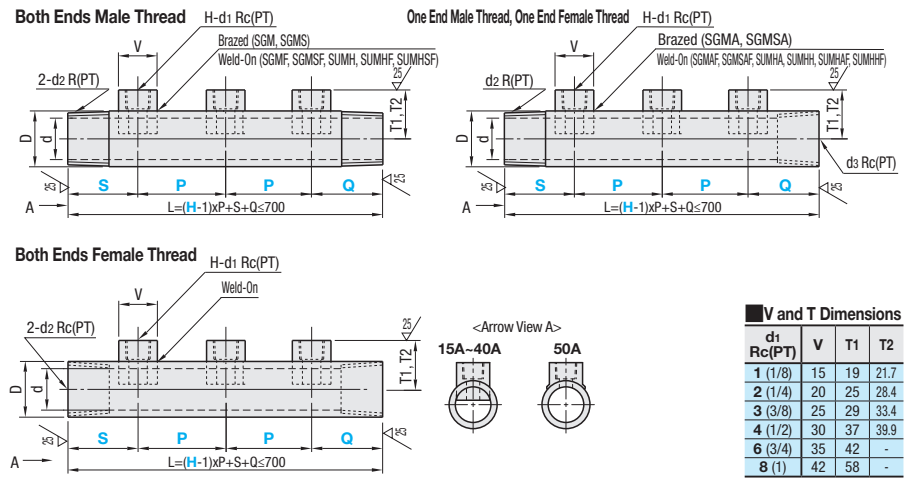
	Type				Material	Surface Treatment
	Standard		Configurable Type			
	T1 Type	T2 Type	T1 Type	T2 Type		
Both Ends Male Thread	SGMH	SGMS	SGMF	SUMHSF	SGP*	Trivalent Chromate
One End Male Thread	SGMA	SGMSA	SGMAF	-	SGP*	Trivalent Chromate
One End Female Thread	SUMHA	SUMHH	SUMHAF	SUMHHF	SUS304TP	-
Both Ends Female Thread	SGMM	-	SGMFM	-	SGP*	Trivalent Chromate
	SUMHM	-	SUMHFM	-	SUS304TP	-

⚠ Brazing and welding may cause small deformations that accumulate when the products are used in connected stacks.  
 Thread: JIS B0203 R(PT) (Max. Operating Pressure: 0.7MPa≈7kgf/cm<sup>2</sup> or less)  $\sqrt{(\frac{25}{\Delta})}$

■ Applicable Fluid  
Water, Air

\* Drawing for 3 Circuit Type is selected.  $\sqrt{(\frac{25}{\Delta})}$

\* Sockets for No. 50A is SS400.



V and T Dimensions				
d1 Rc(PT)	V	T1	T2	
1 (1/8)	15	19	21.7	
2 (1/4)	20	25	28.4	
3 (3/8)	25	29	33.4	
4 (1/2)	30	37	39.9	
6 (3/4)	35	42	-	
8 (1)	42	58	-	

### Both Ends Male Thread, One End Male Thread, One End Female Thread

Part Number		No.	H (Number of Holes)	P, S, Q		d1	d2	d3	d			
Standard	Configurable Type			Standard	Configurable 1mm Increment	Rc(PT)	R (PT)	Rc (PT)	D	Material: SGP	Material: SUS	Material: SUS
T1 Type	T2 Type	15A	2	35	35 (45)~150	1/8	-	1/2	1/2	21.7	16.1	16.1
SGM	SGMS	20A	3	35	35 (45)~150	1/4	1/8	3/4	3/4	27.2	21.6	21.4
SUMH	SGMSA	25A	4	40	40 (50)~150	3/8	1/4	1	1	34	27.6	27.2
SGMA	SGMAF	32A	5	50	50 (60)~150	1/2	3/8	1 1/4	1 1/4	42.7	35.7	35.5
SUMHA	SUMHH	40A	6	60	60 (70)~150	3/4	1/2	1 1/2	1 1/2	48.6	41.6	41.2
		50A	6	100	100~150	1	-	2	-	60.5	52.9	-

⚠ For One End Male Thread, One End Female Thread - P, S and Q Configurable Type, the minimum configurable value is in ( ) for Q dimension (female threaded end) only.  
 ⚠ Specify P, S and Q within the range of L=(H-1)xP+S+Q≤700. ⚠ No. 50A is available for SGM and SGMF only.

### Both Ends Female Thread

Part Number		No.	H (Number of Holes)	P, S, Q		d1	d2	d		
Standard	Configurable Type			Standard	Configurable 1mm Increment	Rc(PT)	Rc(PT)	D	Material: SGP	Material: SUS
T1 Type	T1 Type	15A	2	45	35 (45)~150	1/8	1/2	21.7	16.1	16.1
SGMM	SGMFM	20A	3	45	35 (45)~150	1/4	3/4	27.2	21.6	21.4
SUMHM	SUMHFM	25A	4	50	40 (50)~150	3/8	1	34	27.6	27.2
		32A	5	60	50 (60)~150	1/2	1 1/4	42.7	35.7	35.5
		40A	6	70	60 (70)~150	3/4	1 1/2	48.6	41.6	41.2

⚠ Specify P, S and Q within the range of L=(H-1)xP+S+Q≤700. ⚠ For P, S, Q Configurable Type, the minimum required value for S and Q dimensions are in ( ).  
 ⚠ T2 type is not available for Both Ends Female Thread Type.

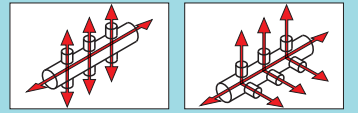
Ordering Example

Part Number	-	H (Number of Holes)	-	P	-	S	-	Q
SUMH32A	-	3	-	P70	-	S60	-	Q70
SGMAF32A	-	4	-	-	-	-	-	-
SUMHM20A	-	3	-	-	-	-	-	-

No.	Unit Price																				
	Standard						Configurable Type														
	Body Material: SGP			Body Material: SUS304TP			Body Material: SGP					Body Material: SUS304TP									
	H2	H3	H4	H5	H6	H2	H3	H4	H5	H6	H2	H3	H4	H5	H6	H2	H3	H4	H5	H6	
15A																					
20A																					
25A																					
32A																					
40A																					
50A																					

# Pipe Manifolds

## 2 Way Type (180° & 90°) / 90° Dedicated Sockets



### 2 Way 180° Type

Type	Material	Surface Treatment
Standard	SGP	Trivalent Chromate
Configurable Type	SUS304TP	-

Thread: JIS B0203 R(PT) (Max. Operating Pressure: 0.7MPa≈7kgf/cm<sup>2</sup> or less)

■ Applicable Fluid  
Water, Air

■ V and T Dimensions

d1 Rc(PT)	V	T
1 (1/8)	15	21.7
2 (1/4)	20	28.4
3 (3/8)	25	33.4
4 (1/2)	30	39.9

\* Drawing for 3 Circuit Type is selected.

Part Number	Type	No.	H (Number of Circuits)	P, S, Q		d1	d2	d3	D	d	Unit Price									
				Standard	Configurable 1mm Increment	Rc (PT)	R (PT)	Rc (PT)			Material: SGP	Material: SUS	SGMMD			SUMMDF				
20A	2	2	45	35 (45)~150	1/8	3/4	27.2	21.4												
25A	3	3	50	40 (50)~150	1/4	1	34	27.2												
32A	4	4	60	50 (60)~150	3/8	1 1/4	42.7	35.5												
40A	5	5	70	60 (70)~150	1/2	1 1/2	48.6	41.2												

⚠ Specify P, S and Q within the range of L=(H-1)xP+S+Q≤700. ⚠ For P, S, Q Configurable Type, the minimum required value for S and Q dimensions are in ( ).

### 2 Way 90° Type

Type	Material	Surface Treatment
Both Ends Male Thread	SGMLF	SGP
Both Ends Female Thread	SUMMLF	SUS304TP

Thread: JIS B0203 R(PT) (Max. Operating Pressure: 0.7MPa≈7kgf/cm<sup>2</sup> or less)

■ Applicable Fluid  
Water, Air

■ V and T Dimensions

d1 Rc(PT)	V	T
1 (1/8)	15	21.7
2 (1/4)	20	28.4
3 (3/8)	25	33.4
4 (1/2)	30	39.9
6 (3/4)	35	42
8 (1)	42	58

\* Drawing for 3 Circuit Type is selected.

Part Number	Type	No.	H (Number of Circuits)	P, S, Q		d1	d2	d3	D	Material: SGP	Material: SUS	Unit Price								
				Standard	Configurable 1mm Increment	Rc (PT)	R (PT)	Rc (PT)				Body Material: SGP			Body Material: SUS304TP					
20A	2	2	35	35 (45)~150	1/8	3/4	3/4	27.2	21.6	21.4										
25A	3	3	40	40 (50)~150	1/4	1	1	34	27.6	27.2										
32A	4	4	50	50 (60)~150	3/8	1 1/4	1 1/4	42.7	35.7	35.5										
40A	5	5	60	60 (70)~150	1/2	1 1/2	1 1/2	48.6	41.6	41.2										

⚠ For Both Ends Female Thread Type, the minimum configurable values for S and Q are in ( ).  
 ⚠ Specify P, S and Q within the range of L=(H-1)xP+S+Q≤700.

### 90° Dedicated Sockets

Type	Material	Surface Treatment
SGSKK	S20C	Zinc Galvanizing
SUSKK	SUS304	-

Thread: JIS B0203 Rc (PT)

■ V and T Dimensions

V	T
15	21.7
20	28.4
25	33.4
30	39.9
35	42
42	58

Part Number	Type	No.	T Rc(PT)	V	L	D	d	H	Unit Price	
									SGSKK	SUSKK
1	1/8	15	14	14	14	8.5	8.1			
2	1/4	20	18	19	19	11.5	11.4			
3	3/8	25	20.5	24	24	14.5	12			
4	1/2	30	24.5	29	29	16.5	15.6			

Ordering Example

Part Number	-	H (Number of Holes)	-	P	-	S	-	Q
SUMLF32A	-	3	-	P50	-	S50	-	Q50
SGSKK1	-	-	-	-	-	-	-	-

⚠ For orders larger than indicated quantity, please request a quotation.