


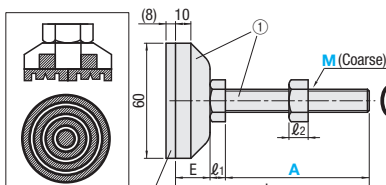
# Leveling Mounts / Antivibration Attachments

## Antivibration

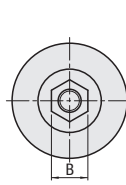


RoHS 10

**FJFNV FJFNC** (Non-migration Rubber Type)



Detail of Rubber Part



Type	① Main Body		② Rubber Part	
	M Material	S Surface Treatment	M Material	H Hardness
FJFNV	FC250 (Screw, Nut SS400)	Trivalent Chromate	Chloroprene Rubber	Shore A70 (M10, 12) Shore A90 (M16)
FJFNC			Non-migration Chloroprene Rubber (Gel)	

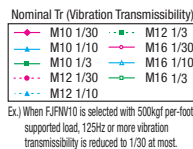
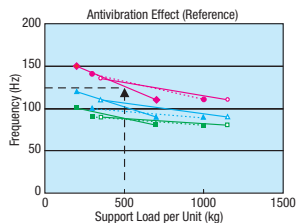
Part Number Type	M-A	L	ℓ <sub>1</sub>	ℓ <sub>2</sub>	E	B	Vertical Load Range (kN)	Mass (g)	Unit Price	
									FJFNV	FJFNC
FJFNV FJFNC	10-75	100	7	8		17	2.0~7.0	322		
	10-100	125						333		
	12-75	101						342		
	12-100	126						360		
	12-125	151	8	10		19	3.0~10.0	379		
	12-150	176						395		
	16-75	103						438		
	16-100	128						449		
	16-130	158	10	13		24	3.5~12.0	508		
	16-150	178						536		
	16-180	208						574		

Ordering Example: Part Number FJFNV16-75


**Antivibration Effect**  
This product's antivibration effects (vibration transmissibility) heavily depend on applied loads and frequency of supported objects (natural frequency). The graph on the right shows anticipated antivibration effects of this product calculated from frequency.

- How to Select**
- Calculations of Applied Load per Unit  
Ex) When an object of 2000 kg is supported by 4 points, 2000/4=500(kgf)
  - Evaluation of the natural frequency of the object. Frequency = Vibrations per Second  
Ex) When motor speed is 7200rpm, 7200(rpm)/60(s)=120(Hz)

With data obtained from ① and ② plotted on the graph, applicable screw diameter (M) and vibration transmissibility under above condition are found.

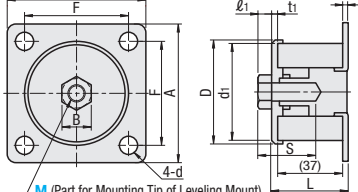


## Antivibration Attachments



RoHS 10

**KMBU  
KMBS**



Part Number	M Material	S Surface Treatment	H Hardness
KMBU	SPCC	Trivalent Chromate	-
KMBS	SUS304	-	-

Part Number Type	M	Damper Hardness	Main Body				Hold Down Plate				Vertical Load (kN)	Mass (g)	Unit Price			
			L	D	d <sub>1</sub>	S	t <sub>1</sub>	B	ℓ <sub>1</sub>	A			F	t <sub>2</sub>	d	KMBU
KMBU KMBS	6	N	42	45	40	28	2.5	10	3.5				1	260		
	8		43	55	50	30		13	5		80	60	2.3	8.5	1.5	340
	10		44	60	55	31	3.5	17	6				3.2	10.5	2	420
	12		72	67	32		19	7	100	80				10.5	2.5	630
	*16		44.5	88	83	33		24	10					12.5	3	1000
	*20		45	103	98	34	4	30	12	115	90	4	12.5	3.5	1220	

\* M16 and 20 are available for KMBU only.

Ordering Example: Part Number KMBU10 - Damper Hardness N

## Features

- Suitable for vibration countermeasures for vibratory equipment and machinery.
- Can be used with Leveling Mounts with less than 5° inclination.
- Damper will not stain floor since not in contact with the floor.

## How to Select

This product's antivibration effects (vibration transmissibility) heavily depend on applied loads and frequency of supported objects (natural frequency). The graph on the right shows anticipated antivibration effects of this product calculated from frequency.

- Calculations of supported load per attachment.

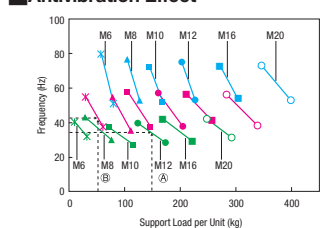
Ex) When an object of 600 kg is supported by 4 shafts, 600/4 = 150 (kgf)

- Evaluation of the natural frequency of the object. Frequency = Vibrations per Second

Ex) When motor speed is 1800 rpm, 1800 (rpm)/60 (s) = 30 (Hz)

With data obtained from ① and ② plotted on the graph, appropriate type of the attachment and vibration transmissibility under above condition are found.

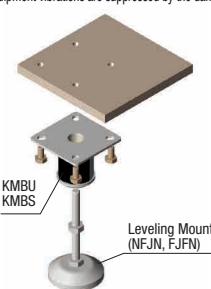
## Antivibration Effect



Ex. A) If KMBU(S)12 is selected with supported load to be 150kg per foot, transmissibility for vibrations above 30Hz is reduced to 1/3 or less.  
Ex. B) If KMBU(S)6 is selected with supported load to be 50kg per foot, transmissibility for vibrations above 40Hz is reduced to 1/10 or less.


All values are calculated, and not guaranteed.

Example: Equipment vibrations are suppressed by the damper effect.



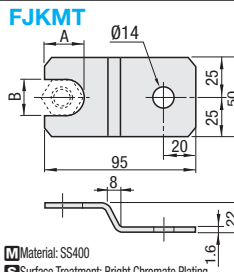
# Mounting Plates / Mounting Nuts / Protection Caps for Leveling Mounts

**Economy Type**




RoHS 10

**FJKMT**



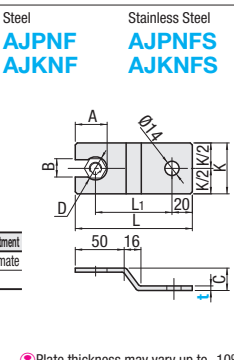
**Hold Down Plates for Leveling Mounts - Thick Type**



RoHS 10

Steel  
**AJPNF  
AJKNF**

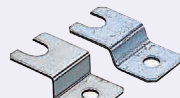
Stainless Steel  
**AJPNFS  
AJKNFS**



Type	M Material	S Surface Treatment
AJPNF, AJKNF	SS400	Trivalent Chromate
AJPNFS, AJKNFS	SUS304	-

Plate thickness may vary up to -10%.

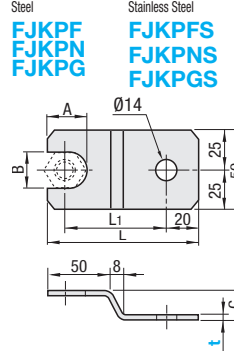
**Hold Down Plates for Leveling Mounts**



RoHS 10

Steel  
**FJKPF  
FJKPN**

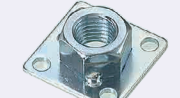
Stainless Steel  
**FJKPFS  
FJKPNS**



Type	M Material	S Surface Treatment
FJKPF	SS400	Trivalent Chromate
FJKPFS	SUS304	-

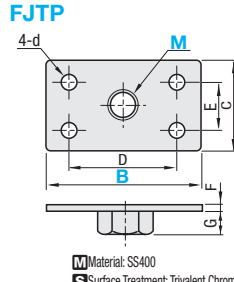
Ordering Example: Part Number FJKPN16 - t 3.2

**Mounting Nuts for Leveling Mounts**




RoHS 10

**FJTP**



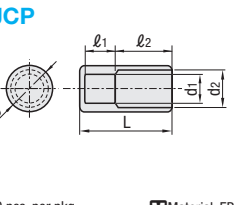
Material: SS400  
Surface Treatment: Trivalent Chromate

**Protection Caps for Leveling Mounts**



RoHS 10

**AJCP**



Material: EPDM

Part Number	A	B	L	Unit Price
FJKMT	12	22.5	19.3	95
	16	25	24.5	
	20	28	31.0	

Ordering Example: Part Number FJKMT12

Part Number Type	No.	t	D	A	B	K	C	L	L <sub>1</sub>	Applicable Leveling Mount		Unit Price	
										Steel	Stainless Steel		
AJPNF (Steel)	16	4.5	29	37.5	17	50	28.5	115	72	NFJN16 (P1107)			
	20	4.5	36	45.5	21	60	28.5	125	77.5	NFJN20 (P1107)			
	20	4.5	36	45.5	21	60	24.5	115	72	FJFN16 (P1110)			

Ordering Example: Part Number AJPNF20 - t 4.5

Hold Down plates may not be used at 4 places depending on installation conditions of equipment and machines. In that case, using Thick Type prevents disengagement and displacement, and produces equivalent effects with fewest mounting plates.

Part Number Type	No.	t Thickness		A	B	C	L	L <sub>1</sub>	Applicable Leveling Mount		Unit Price						
		FJKP	FJKP-S						FJKP	FJKP-S							
FJKPF (Steel)	12	2	2	22.5	19	22	95	65	130	100	NFJN12 (P1107)						
	16											95	65	130	100	NFJN16 (P1107)	
	20											95	65	130	100	NFJN20 (P1107)	

For FJKPN and FJKPNS, t=2 when t dimension is not specified.

Part Number Type	M (Coarse)	B	C	D	E	F	G	d	Unit Price
FJTP	12	40	40	28	28	2	10	6	80
	16	50	50	36	36	3	13	8	
	20	50	50	36	36	3	16	8	
	20	80	80	56	56	3	13	8	
	20	80	80	56	56	3	16	8	
	20	80	80	56	56	3	16	8	

Ordering Example: Part Number FJTP16 - B 80

Part Number Type	No.	Color	D	L	d <sub>1</sub>	d <sub>2</sub>	ℓ <sub>1</sub>	ℓ <sub>2</sub>	Applicable Screw Size (Coarse Thread)	Unit Price	Volume Discount Rate
AJCP	8	B (Black)	11	5.5	7	10	20	M6, 8	1 ~ 9 pkg(s)	10-20	
	12		16.5	9.5	11.5	10	M10, 12				
	20		24.5	15.5	19.5	10	M16, 20				

Ordering Example: Part Number AJCP12 - B

Example: Mounting on Tip of Leveling Mounts