

Stainless Steel Small Ball Bearings

Double Shielded

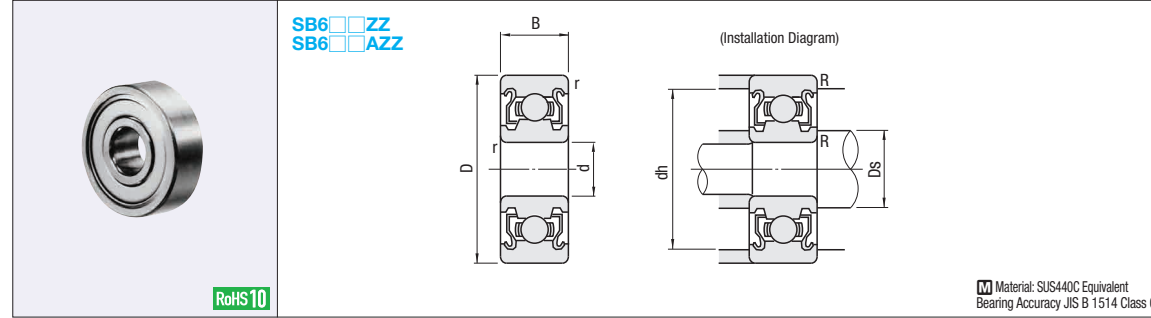
Note that, for some of the types shown here, order might be unable to be received by the MISUMI Indonesia offices.

C-VALUE [Medium Accuracy] Stainless Steel Small Ball Bearings

Double Shielded

Similar Products Page P.993

This product can be used even when heavy load, high rotation speed, and high rotational accuracy are required. See P.994 for the C-VALUE Product of this item.

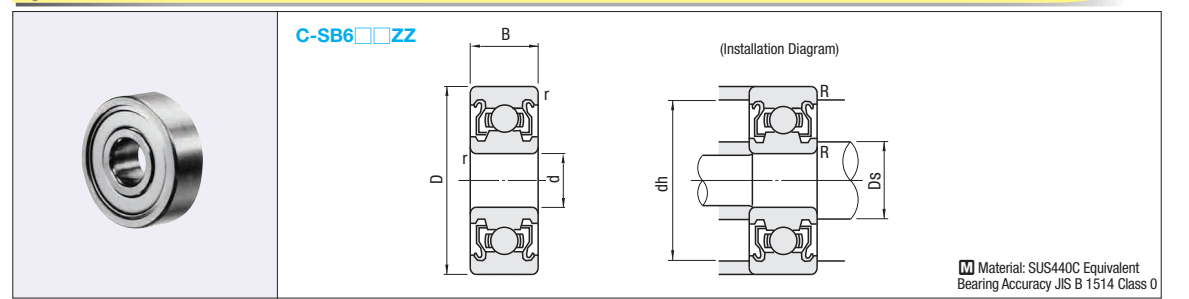


For details on the tolerance and allowable values of inner and outer rings, see P.2243

Part Number	d	D	B	r (min)	Basic Load Rating		Allowable Rotational Speed rpm (Reference)	Relative Dimensions			Mass (g) (Reference)	Unit Price		
					Cr (Dynamic) N	Cor (Static) N		Ds (min)	dh (max)	R (max)				
SB682ZZ	2	5	2.3	0.08	143	40	85000	2.7	3.9	0.08	0.17			
SB692ZZ		6	3.0	0.15	281	79	75000	3.0	4.8	0.15	0.38			
SB602ZZ		7	3.5		60000	3.2	5.8	0.58						
SB682AZZ	2.5	6	2.6	0.08	178	59	71000	3.7	4.9	0.08	0.29			
SB692AZZ		7	3.5	0.15	328	102	63000	3.85	5.65	0.15	0.55			
SB673ZZ	3	6	2.5	0.1	178	59	71000	3.6	5.4	0.08	0.2			
SB683ZZ		7	3		331	104	63000	3.9	5.8	0.1	0.45			
SB693ZZ		8	4	0.15	474	144	60000	4.2	6.8	0.15	0.83			
SB603ZZ	9	5	485		151	56000	7.8		1.45					
SB623ZZ	10	4	536		175	50000	8.8		1.66					
SB633ZZ	3	13	5	0.2	1105	388	40000	4.6	11.4	0.2	3.33			
SB674ZZ		7	2.5	217	86	60000	6.4		0.28					
SB684ZZ		9	4	0.1	544	179	53000		5.0	7.8	0.1	1.01		
SB694ZZ	11	607			220	53000	5.2	9.8	0.15	1.75				
SB604ZZ	4	12	0.2	813	276	48000	5.6	10.4	0.2	2.29				
SB624ZZ		13		1105	386	40000		11.4		3.04				
SB634ZZ		16	5	1139	418	36000		6		14	0.3	5.21		
SB675ZZ	5	8	2.5	0.1	174	72	53000	5.8	7.4	0.1	0.34			
SB685ZZ		11	5	0.15	607	225	45000	6.2	9.8	0.2	1.96			
SB695ZZ		13	4	915	344	43000	11.4	2.5						
SB605ZZ	14	5	0.2	1105	404	40000	6.6	12.4	3.48					
SB625ZZ	16			1470	536	36000	7	14	4.86					
SB635ZZ	5	19	6	0.3	1986	708	32000	7	17	0.3	8.34			
SB676ZZ		10	3		396	174	45000		7.04		9.3	0.1	0.68	
SB686ZZ		13	5		0.15	918	352		40000		7.0	11.8	0.2	2.69
SB696ZZ	15	1139		418		7.6	13.4	3.72						
SB606ZZ	6	17	6	0.3	1921	668	38000	8	15	0.3	6.08			
SB626ZZ		19			1986	708	32000		17		7.94			
SB636ZZ		22	7	2833	1138	30000	20		14.5					
SB678ZZ	8	12	3.5	0.1	434	219	40000	9.05	11.33	0.1	0.97			
SB688ZZ		16	5	0.2	1368	568	60000	9.6	14.4	0.2	4.02			
SB698ZZ		19	6	0.3	1901	728	36000	10	17	0.3	7.18			
SB608ZZ	22	7	2799		1103	34000	20		12					
SB628ZZ	24	8	2833		1138	30000	22		17					
SB638ZZ	8	28	9	0.3	3879	1586	28000	10	26	0.3	30.3			

kgf=Nx0.101972

Similar Products Comparison Points | Products designed for light load, intermediate and low rotation speed, and medium rotational accuracy applications. See P.987 for the description of C-VALUE Products.



For details on the tolerance and allowable values of inner and outer rings, see P.2243

Part Number	d	D	B	r (min)	C-VALUE Products Check Point ①		Allowable Rotational Speed rpm (Reference)	Relative Dimensions			Mass (g) (Reference)	Unit Price	
					Cr (Dynamic) N	Cor (Static) N		Ds (min)	dh (max)	R (max)			
C-SB682ZZ	2	5	2.3	0.08	100	28	85000	2.7	3.9	0.08	0.17		
C-SB692ZZ		6	3	0.15	197	55	75000	3	4.8	0.15	0.38		
C-SB602ZZ		7	3.5		60000	3.2	5.8	0.58					
C-SB682AZZ	2.5	6	2.6	0.08	124	41	71000	3.7	4.9	0.08	0.29		
C-SB692AZZ		7	3.5	0.15	229	71	63000	3.85	5.65	0.15	0.55		
C-SB673ZZ	3	6	2.5	0.1	125	41	71000	3.6	5.4	0.08	0.2		
C-SB683ZZ		7	3	231	72	63000	3.9	5.8	0.1	0.45			
C-SB693ZZ		8	4	332	101	60000	4.2	6.8	0.15	0.83			
C-SB603ZZ	3	9	5	0.15	339	105	56000	4.2	7.8	0.15	1.45		
C-SB623ZZ		10	4	375	122	50000	8.8		1.66				
C-SB633ZZ		13	5	773	271	40000	11.4		3.33				
C-SB674ZZ	4	7	2.5	0.1	152	60	60000	4.6	6.4	0.08	0.28		
C-SB684ZZ		9	4	0.1	381	125	53000	5	7.8	0.1	1.01		
C-SB694ZZ		11			424	154	48000	5.2	9.8	0.15	1.75		
C-SB604ZZ	4	12	0.2	569	193	48000	5.6	10.4	0.2	2.29			
C-SB624ZZ		13		773	270	40000	5.6	11.4	0.2	3.04			
C-SB634ZZ		16	5	797	292	36000	6	14	0.3	5.21			
C-SB675ZZ	5	8	2.5	0.1	122	50	53000	5.8	7.4	0.1	0.34		
C-SB685ZZ		11	5	0.15	424	157	45000	6.2	9.8	0.2	1.96		
C-SB695ZZ		13	4	641	241	43000	6.6	11.4	2.5				
C-SB605ZZ	14	5	0.2	773	282	40000	6.6	12.4	3.48				
C-SB625ZZ	16			1029	375	36000	7	14	4.86				
C-SB635ZZ	5	19	6	0.3	1390	495	32000	7	17	0.3	8.34		
C-SB676ZZ		10	3		277	122	45000	7.04	9.3		0.1	0.68	
C-SB686ZZ		13	5		0.15	643	246	40000	7		11.8	0.2	2.69
C-SB696ZZ	15	797		293		40000	7.6	13.4	3.72				
C-SB606ZZ	6	17	6	0.3	1344	467	38000	8	15	0.3	6.08		
C-SB626ZZ		19			1390	496	32000		17		7.94		
C-SB636ZZ		22	7	1983	796	30000	8		20		14.5		
C-SB678ZZ	8	12	3.5	0.1	304	153	40000	9.05	11.33	0.1	0.97		
C-SB688ZZ		16	5	0.2	958	398	36000	9.6	14.4	0.2	4.02		
C-SB698ZZ		19	6	0.3	1331	510	36000	10	17	0.3	7.18		
C-SB608ZZ	22	7	1959		772	34000	20		12				
C-SB628ZZ	24	8	1983		796	28000	22		17				
C-SB638ZZ	8	28	9	0.3	2715	1110	28000	10	26	0.3	30.3		

kgf=Nx0.101972

C-VALUE Products Check Point ②

I.D. d (mm)	over or less	Clearance of MISUMI Similar Products (μm)		Clearance of C-VALUE Products (μm)	
		Min.	Max.	Min.	Max.
10 only		2	13	4	18
10	18	3	18	6	23
18	24	5	20	8	25
24	30	5	20	8	25

<Precautions for Use of C-VALUE Products>

This product is C-VALUE Product. For detailed description of C-VALUE Products, see P.987. For similar products of this product, see the left page.

- This is a product designed exclusively for light load, intermediate and low rotation speeds, and medium rotational accuracy applications.
- Be sure to read the C-VALUE Products Check Point ① and ② before using this product. The internal clearance and the load rating of this product are different from that of normal similar products.
- Do not use in areas with heavy load, high speed, or that requires high rotational accuracy.

Ordering Example
Part Number
SB636ZZ

Ordering Example
Part Number
C-SB696ZZ