

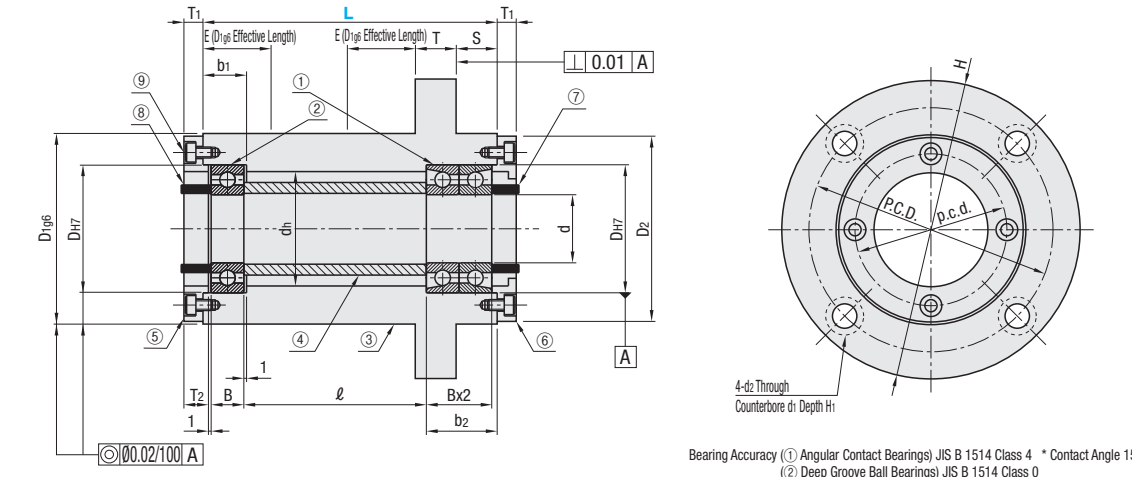
# Angular Contact Bearings with Housings

Angular Contact Bearings Back-to-Back Combination + Deep Groove Ball Bearings, with Pilot



Type	① Angular Contact Bearings (Back-to-Back Combination) ② Deep Groove Ball Bearings	③ Housing, ④ Inner Ring Spacer, ⑤ Standard Cover ⑥ Standard / Oil Seal / O-Ring Cover ⑦ Inner Ring Collar	⑧ Cover Mounting Screw		
	Material	Material	Surface Treatment	Material	Surface Treatment
<b>ABGYB</b> <b>ABGY</b>	SUJ2	S45C Equivalent	Black Oxide Electroless Nickel Plating	SCM435 SUS304	Black Oxide -

⚠ The Angular Contact Bearings with Housing is delivered with the parts unassembled to the holder body.  
 ⚠ Make sure that bearing outer rings and inner rings are firmly fixed by the covers and bearing nuts before use. 1mm axial clearance is designed on each side of the deep groove bearing outer ring where the inner ring can be tightened without adjusting the length of the inner ring spacer.  
 ⚠ A standard cover is included with the deep groove ball bearing side (⑤) as a standard accessory.  
 For Angular Contact Bearings (⑥), please select N Standard Covers, S Oil Seal Covers or R O-Ring Covers.  
 ⚠ Contact with O-Ring may generate some friction.



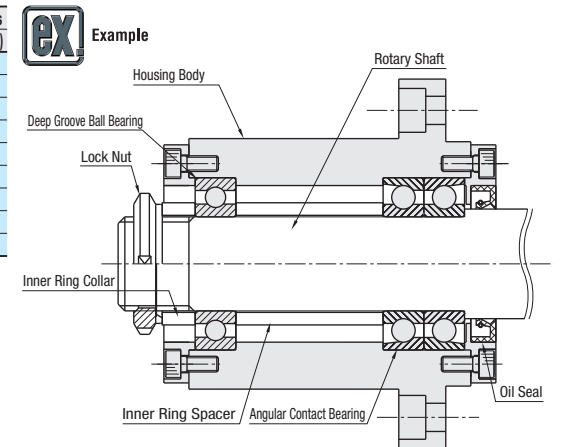
⑤ Standard Cover (Included)	⑥ (Selectable)		
	Standard	Cover for Oil Seal	Cover for O-Ring
	<b>N</b> 	<b>S</b> 	<b>R</b> 
			⚠ Accessory: Oil Seal (JIS G/D Nitrile Rubber) ⚠ Accessory: O-Ring (JIS P Nitrile Rubber)

Part Number	Type	Bearing No.	⑥ Cover Selection	L	S	d	DH7	Tolerance	B	b1	b2	Deep Groove Ball Bearing No.	H	D2	T	dh	E	D1g6	Tolerance	P.C.D.	d1	d2	H1
					15	20	42		12	16	26	6004ZZ	92	58	15	36	22	60	-0.010 -0.029	75	14	9	8.5
					20	25	47		13	17	28	6005ZZ	98	63	18	41	27	80		80			
					25	30	55		14	18	30	6006ZZ	120	78	18	48	27	80		98			
					30	35	62		15	19	32	6007ZZ	126	84	18	55	27	86		106			
					35	40	68	+0.030 0	15	19	32	6008ZZ	140	92	20	60	30	95	-0.012 -0.034	116	17.5	11	10.5
					40	45	75		16	20	34	6009ZZ	145	98	20	69	30	100		122			
					45	50	80		16	20	34	6010ZZ	147	101	20	74	30	105		124			

No.	⑤ ⑥ Cover Details										⑥ Cover Details							⑨ Cover Mounting Screw		
	D	D2	dh	T1	T2	p.c.d.	d3	d4	t2	t1	N Standard Cover		S Oil Seal Cover			R O-Ring Cover				
											d5	S1	S2	St	Accessory Oil Seal	Ra	Rb		Rt	r
7002	32	48	28	6	8	40	6.5	3.5	3.1	21	32	22	5	G20325	24	20	3.2	0.4	P20	M3-8
7003	35	48	31	6	8	40	6.5	3.5	3.1	26	35	27	6	D25356	31	25			P25	M4-10
7004	42	58	36	7	9	48	8	4.5	4.1	31	40	32	7	D30407	36	30			P30	M4-10
7005	47	63	41	8	10	53	9	5.5	4.1	41	50	42	6.5	D40506.5	41	35	4.7	0.7	P35	M5-12
7006	55	78	48	8	10	64	9.5	5.5	5.1	46	60	47	9	D45609	46	40			P40	M5-12
7007	62	84	55	9	11	72	11	6.6	6.1	51	65	52	9	D50659	51	45			P45	M6-12
7008	68	92	60	9	11	78	11	6.6	6.1	56	70	57	9	D55709	56	50			P50	M6-12
7009	75	98	69	11	13	85	11	6.6	6.1	61	75	62	9	D60759	61	60	7.5	0.8	P60	M6-15
7010	80	101	74	11	13	88	11	6.6	6.1	61	75	62	9	D60759	70	60	7.5	0.8	P60	M6-15

No.	⑦ Collar Details			⑧ Collar Details			④ Inner Ring Spacer Details		
	O.D.	I.D.	Thickness	O.D.	I.D.	Thickness	O.D.	I.D.	Thickness (L)
7002	20	15	8.5	20	15	9.5	20	15	L-32
7003	25	17	9.5	25	20	10.5	25	20	L-41
7004	30	25	10.5	30	25	11.5	30	25	L-41
7005	40	30	10.5	40	30	11.5	40	30	L-44
7006	45	35	11.5	45	35	12.5	45	35	L-47
7007	50	40	11.5	50	40	12.5	50	40	L-50
7008	55	45	13.5	55	45	14.5	55	45	L-53
7009	60	50	13.5	60	50	14.5	60	50	L-54
7010	60	50	13.5	60	50	14.5	60	50	L-54

Ordering Example: **Part Number** - Cover - L  
**Type** **Bearing** - **Cover** - **L**  
**ABGY 7004 - R - 100**



Bearing No.	L	ABGYB						ABGY					
		Cover N		Cover S		Cover R		Cover N		Cover S		Cover R	
		Unit Price	Volume Discount Rate	Unit Price	Volume Discount Rate	Unit Price	Volume Discount Rate	Unit Price	Volume Discount Rate	Unit Price	Volume Discount Rate	Unit Price	Volume Discount Rate
		1 pc.	2 ~ 4 pcs.	1 pc.	2 ~ 4 pcs.	1 pc.	2 ~ 4 pcs.	1 pc.	2 ~ 4 pcs.	1 pc.	2 ~ 4 pcs.	1 pc.	2 ~ 4 pcs.
7002	60												
	75												
7003	70												
	85												
7004	80												
	100												
7005	100												
	125												
7006	120												
	150												
7007	140												
	175												
7008	160												
	200												
7009	180												
	225												
7010	200												
	250												