

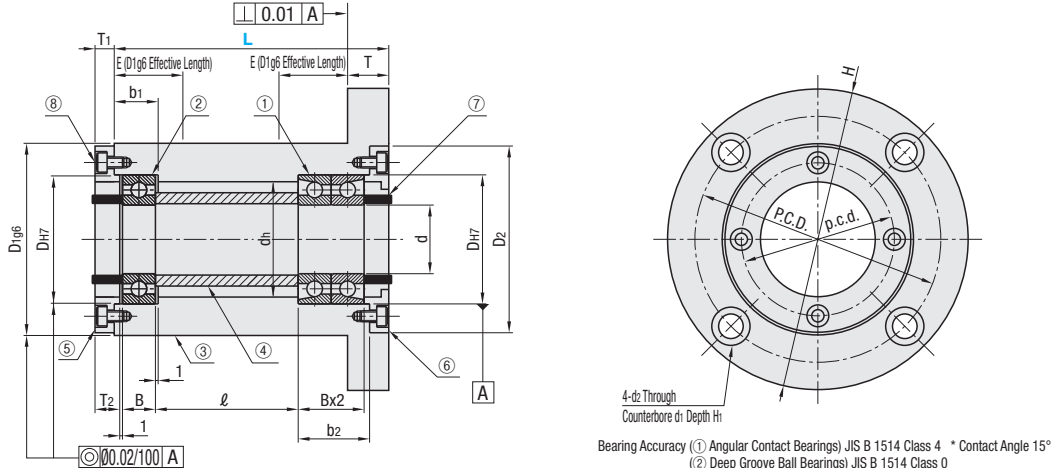
Angular Contact Bearings with Housings

Angular Contact Back-to-Back Combination + Deep Groove Ball Bearings, Flanged



| Type | ① Angular Contact Bearings (Back-to-Back Combination) | | ② Deep Groove Ball Bearings | | ③ Housing, ④ Inner Ring Spacer, ⑤ Standard Cover | | ⑥ Standard / Oil Seal / O-Ring Cover | | ⑦ Inner Ring Collar | | ⑧ Cover Mounting Screw | |
|---------------|---|-----------------|-----------------------------|----------|--|----------|--------------------------------------|----------|---------------------|----------|------------------------|--|
| | Material | Material | Surface Treatment | Material | Surface Treatment | Material | Surface Treatment | Material | Surface Treatment | Material | Surface Treatment | |
| ABGCB ABGC | SUJ2 | S45C Equivalent | Black Oxide | SCM435 | Black Oxide | | | | | | | |
| | | | Electroless Nickel Plating | SUS304 | | | | | | | | |

- ⚠ The Angular Contact Bearings with Housing is delivered with the parts unassembled to the holder body.
- ⚠ Make sure that bearing outer rings and inner rings are firmly fixed by the covers and bearing nuts before use. 1mm axial clearance is designed on each side of the deep groove bearing outer ring where the inner ring can be tightened without adjusting the length of the inner ring spacer.
- ⚠ A standard cover is included with the deep groove ball bearing side ⑤ as a standard accessory.
- ⚠ For Angular Contact Bearings ⑥, please select **N** Standard Covers, **S** Oil Seal Covers or **R** O-Ring Covers.
- ⚠ Contact with O-Ring may generate some friction.



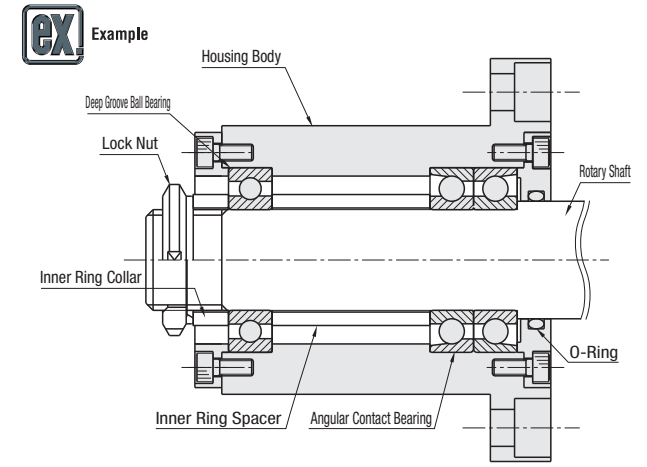
| ⑤ Standard Cover (Included) | ⑥ (Selectable) | | |
|-----------------------------|----------------|---|---|
| | Standard | Cover for Oil Seal | Cover for O-Ring |
| | N | S | R |
| | | A Accessory: Oil Seal (JIS G'D Nitrile Rubber) | A Accessory: O-Ring (JIS P Nitrile Rubber) |

| Part Number | Type | Bearing No. | ⑥ Cover Selection | L | d | DH7 | Tolerance | B | b1 | b2 | Deep Groove Ball Bearing No. | H | D2 | T | dh | E | D1g6 | Tolerance | P.C.D. | d1 | d2 | H1 |
|-------------|-------|-------------|-------------------|-----|-----|-----|-----------|----|----|----|------------------------------|-----|-----|----|----|----|------|------------------|--------|------|-----|------|
| | | | | | | | | | | | | | | | | | | | | | | |
| 7002 | ABGCB | 7002 | N | 60 | 75 | 15 | 32 | 9 | 13 | 20 | 6002ZZ | 75 | 48 | 12 | 28 | 18 | 50 | +0.025 -0.025 | 62 | 11 | 6.6 | 6.5 |
| 7003 | ABGCB | 7003 | N | 70 | 85 | 17 | 35 | 10 | 14 | 22 | 6003ZZ | 85 | 58 | 15 | 31 | 22 | 60 | +0.010 -0.029 | 75 | 14 | 9 | 8.5 |
| 7004 | ABGCB | 7004 | N | 80 | 100 | 20 | 42 | 12 | 16 | 26 | 6004ZZ | 92 | 58 | 15 | 36 | 22 | 65 | +0.010 -0.029 | 80 | 14 | 9 | 8.5 |
| 7005 | ABGCB | 7005 | N | 100 | 125 | 25 | 47 | 13 | 17 | 28 | 6005ZZ | 98 | 63 | 18 | 41 | 27 | 80 | +0.012 -0.034 | 98 | 17.5 | 11 | 10.5 |
| 7006 | ABGC | 7006 | S | 120 | 150 | 30 | 55 | 14 | 18 | 30 | 6006ZZ | 120 | 78 | 18 | 48 | 27 | 86 | | 106 | | | |
| 7007 | ABGC | 7007 | S | 140 | 175 | 35 | 62 | 15 | 19 | 32 | 6007ZZ | 126 | 84 | 20 | 55 | 30 | 95 | | 116 | | | |
| 7008 | ABGC | 7008 | R | 160 | 200 | 40 | 68 | 16 | 20 | 34 | 6008ZZ | 140 | 92 | 20 | 60 | 30 | 100 | | 122 | | | |
| 7009 | ABGC | 7009 | R | 180 | 225 | 45 | 75 | 16 | 20 | 34 | 6009ZZ | 145 | 98 | 20 | 69 | 30 | 100 | | 124 | | | |
| 7010 | ABGC | 7010 | R | 200 | 250 | 50 | 80 | 16 | 20 | 34 | 6010ZZ | 147 | 101 | 20 | 74 | 30 | 105 | | 124 | | | |

| No. | ⑤ ⑥ Cover Details | | | | | | | | | | ⑥ Cover Details | | | | | | | ⑧ Cover Mounting Screw | | | |
|------|-------------------|-----|----|----|----|--------|-----|-----|-----|--|------------------|------------------|----|-----|--------------------|----|----|------------------------|-----|------------------|-------|
| | D | D2 | dh | T1 | T2 | p.c.d. | d3 | d4 | t2 | | N Standard Cover | S Oil Seal Cover | | | R O-Ring Cover | | | | | | |
| | | | | | | | | | | | d5 | S1 | S2 | St | Accessory Oil Seal | Ra | Rb | Rt | r | Accessory O-Ring | |
| 7002 | 32 | | 28 | 6 | 8 | 40 | 6.5 | 3.5 | 3.1 | | 21 | 32 | 22 | 5 | G20325 | 24 | 20 | 3.2 | 0.4 | P20 | M3-8 |
| 7003 | 35 | 48 | 31 | 6 | 8 | 48 | 8 | 4.5 | 4.1 | | 26 | 35 | 27 | 6 | D25356 | 31 | 25 | | | P25 | M4-10 |
| 7004 | 42 | 58 | 36 | 7 | 9 | 53 | 8 | 4.5 | 4.1 | | 31 | 40 | 32 | 7 | D30407 | 36 | 30 | | | P30 | M4-10 |
| 7005 | 47 | 63 | 41 | 8 | 10 | 64 | 9.5 | 5.5 | 5.1 | | 41 | 50 | 42 | 6.5 | D40506.5 | 41 | 35 | 4.7 | 0.7 | P35 | M5-12 |
| 7006 | 55 | 78 | 48 | 8 | 10 | 72 | 11 | 6.6 | 6.1 | | 46 | 60 | 47 | 9 | D45609 | 46 | 40 | | | P40 | M5-12 |
| 7007 | 62 | 84 | 55 | 9 | 11 | 78 | 11 | 6.6 | 6.1 | | 51 | 65 | 52 | 9 | D50659 | 51 | 45 | | | P45 | M6-12 |
| 7008 | 68 | 92 | 60 | 9 | 11 | 85 | 11 | 6.6 | 6.1 | | 56 | 70 | 57 | 9 | D55709 | 56 | 50 | | | P50 | M6-12 |
| 7009 | 75 | 98 | 69 | 11 | 13 | 88 | 11 | 6.6 | 6.1 | | 61 | 75 | 62 | 9 | D60759 | 70 | 60 | 7.5 | 0.8 | P60 | M6-15 |
| 7010 | 80 | 101 | 74 | 11 | 13 | 88 | 11 | 6.6 | 6.1 | | 61 | 75 | 62 | 9 | D60759 | 70 | 60 | 7.5 | 0.8 | P60 | M6-15 |

| No. | ⑦ Collar Details | | | ④ Inner Ring Spacer Details | | |
|------|------------------|------|-----------|-----------------------------|------|---------------|
| | O.D. | I.D. | Thickness | O.D. | I.D. | Thickness (L) |
| 7002 | 20 | 15 | 8.5 | 20 | 15 | L-38 |
| 7003 | 25 | 20 | 9.5 | 25 | 20 | L-48 |
| 7004 | 30 | 25 | 10.5 | 30 | 25 | L-49 |
| 7005 | 40 | 30 | 11.5 | 40 | 30 | L-52 |
| 7007 | 45 | 35 | 11.5 | 45 | 35 | L-56 |
| 7008 | 50 | 40 | 11.5 | 50 | 40 | L-59 |
| 7009 | 55 | 45 | 13.5 | 55 | 45 | L-62 |
| 7010 | 60 | 50 | 13.5 | 60 | 50 | L-64 |

Ordering Example: Part Number - Cover - L
Type Bearing - Cover - L
ABGC 7005 - R - 100



| Bearing No. | L | ABGCB | | | | | | ABGC | | | | | |
|-------------|-----|------------|----------------------|------------|----------------------|------------|----------------------|------------|----------------------|------------|----------------------|------------|----------------------|
| | | Cover N | | Cover S | | Cover R | | Cover N | | Cover S | | Cover R | |
| | | Unit Price | Volume Discount Rate | Unit Price | Volume Discount Rate | Unit Price | Volume Discount Rate | Unit Price | Volume Discount Rate | Unit Price | Volume Discount Rate | Unit Price | Volume Discount Rate |
| | | 1 pc. | 2 ~ 4 pcs. | 1 pc. | 2 ~ 4 pcs. | 1 pc. | 2 ~ 4 pcs. | 1 pc. | 2 ~ 4 pcs. | 1 pc. | 2 ~ 4 pcs. | 1 pc. | 2 ~ 4 pcs. |
| 7002 | 60 | | | | | | | | | | | | |
| | 75 | | | | | | | | | | | | |
| 7003 | 70 | | | | | | | | | | | | |
| | 85 | | | | | | | | | | | | |
| 7004 | 80 | | | | | | | | | | | | |
| | 100 | | | | | | | | | | | | |
| 7005 | 100 | | | | | | | | | | | | |
| | 125 | | | | | | | | | | | | |
| 7006 | 120 | | | | | | | | | | | | |
| | 150 | | | | | | | | | | | | |
| 7007 | 140 | | | | | | | | | | | | |
| | 175 | | | | | | | | | | | | |
| 7008 | 160 | | | | | | | | | | | | |
| | 200 | | | | | | | | | | | | |
| 7009 | 180 | | | | | | | | | | | | |
| | 225 | | | | | | | | | | | | |
| 7010 | 200 | | | | | | | | | | | | |
| | 250 | | | | | | | | | | | | |