

Bearings with Housings - Outer Ring Captured - Overview

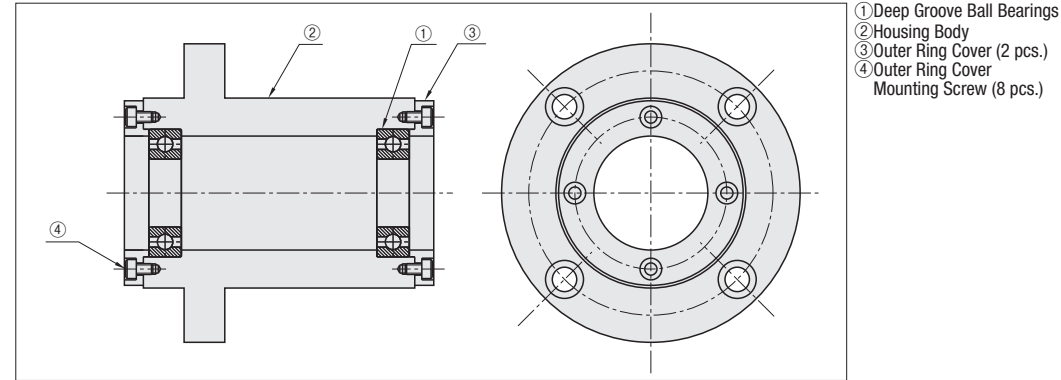
Bearings with Housings Outer Ring Captured

Bearings with Housings, Outer Ring Captured

■ Features

• Bearings with Housings Outer Ring Captured Type have outer ring covers as standard features, which prevents the bearing outer rings from moving in thrust directions.

■ Construction Diagram



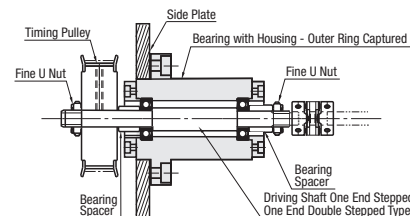
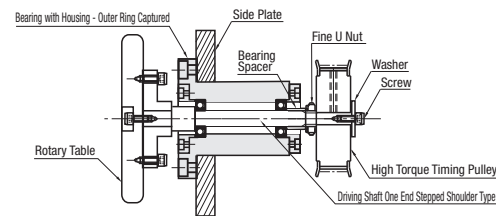
■ Application

• Suitable for relatively high-loading uses such as heavy load / high-speed applications. (When used to support thrust loads, please consider Angular Contact Bearings with Housings on P.981-986.)

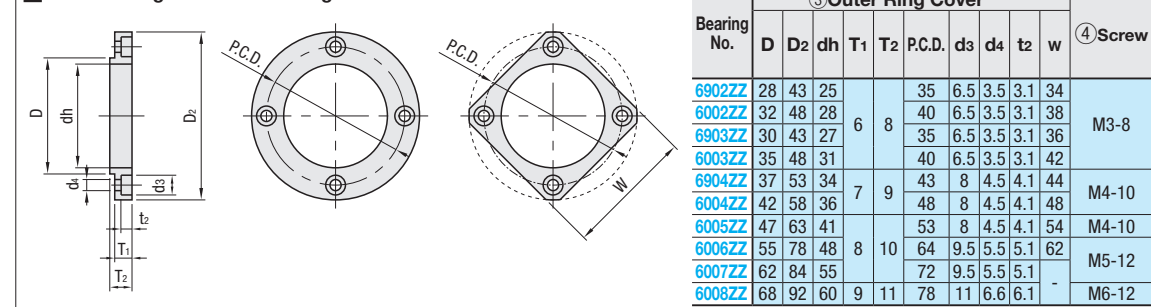
■ App. Example

App. Example ① (Standard)

App. Example ② (Pilot)



■ Detailed Diagram for Outer Ring Cover



Type	① Bearing	② Housing	③ Outer Ring Cover	④ Outer Ring Cover Mounting Screw	
	M Material	M Material	S Surface Treatment	M Material	S Surface Treatment
GBGCB	SUJ2	S45C Equivalent	Black Oxide	SCM435	Black Oxide
GBGC			Electroless Nickel Plating	SUS304	-

For * marked L dimensions in Standards Table, a relief is added on the pilot O.D., and D₁₉₆ effective length applies to E dimensions only.

Bearing Accuracy: JIS B 1514 Class 0

Type	Bearing No.	L Selection			d	DH7 Tolerance	B	b ₁	H	D ₂	T	dh	*E	D ₁₉₆ Tolerance	P.C.D.	d ₁	d ₂	H ₁	T ₁	
		30	50	70																
GBGCB (Black Oxide)	6902ZZ	30	50	70	15	28	7	9	70	43	12	25	-	45	57	11	6.6	6.5	6	
	6002ZZ	40	60	*80	32	30	9	11	75	48	27	18	45	-0.009 -0.025	62					
	6903ZZ	40	60	*80	30	30	7	9	70	43	31	18	45	57	62					
	6003ZZ	40	60	*80	17	35	10	12	75	48	31	18	45	57	62					
GBGC (Electroless Nickel Plating)	6904ZZ	40	60	80	20	37	9	11	87	53	15	34	-	55	70	14	9	8.5	7	
	6004ZZ	50	70	*90	42	42	12	14	92	58	15	36	22	60	-0.010 -0.029					75
	6005ZZ	50	80	*100	25	47	12	14	98	63	18	41	22	65	80					
	6006ZZ	50	80	*100	30	55	13	15	120	78	18	48	27	80	100					
	6007ZZ	70	*100	35	62	+0.030 0	14	16	126	84	18	55	27	86	106					
6008ZZ	70	100	40	68	+0.030 0	15	17	140	92	20	60	-	95	116	17.5	11	10.5	9		

Ordering Example: Part Number GBGCB 6903ZZ - L 40

Bearing No.	L	GBGCB		GBGC	
		Unit Price	Volume Discount Rate	Unit Price	Volume Discount Rate
6902ZZ	30				
	50				
	70				
6002ZZ	40				
	60				
	80				
6903ZZ	40				
	60				
	80				
6003ZZ	40				
	60				
	80				
6904ZZ	40				
	60				
	80				

Bearing No.	L	GBGCB		GBGC	
		Unit Price	Volume Discount Rate	Unit Price	Volume Discount Rate
6004ZZ	50				
	70				
	90				
6005ZZ	50				
	80				
	100				
6006ZZ	50				
	80				
	100				
6007ZZ	70				
	100				
	70				
6008ZZ	100				

*For orders larger than indicated quantity, please request a quotation.