


Bearings with Housings

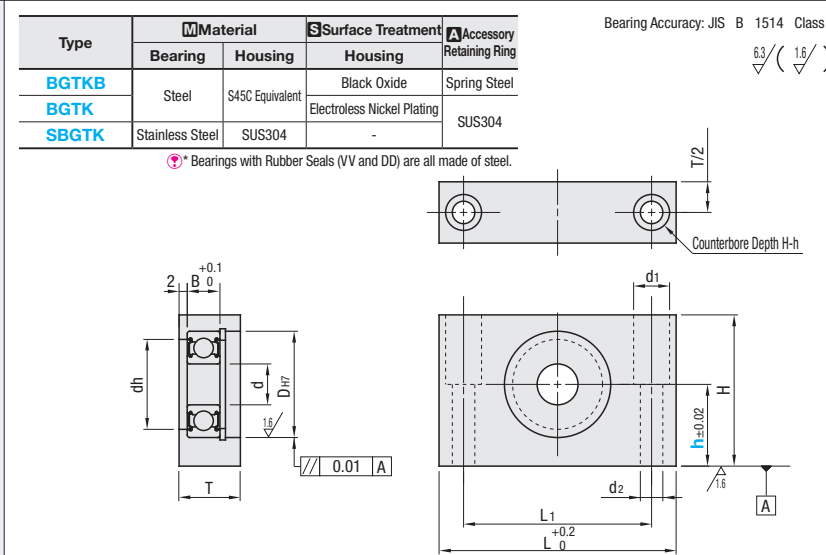
Blocks



Type	Material		Surface Treatment	Accessory
	Bearing	Housing	Housing	Retaining Ring
BGTKB	Steel	S45C Equivalent	Black Oxide	Spring Steel
BGTK	Steel	S45C Equivalent	Electroless Nickel Plating	SUS304
SBGTK	Stainless Steel	SUS304	-	SUS304

Bearing Accuracy: JIS B 1514 Class 0
 $\sqrt{0.03} / (\sqrt{1.5})$

* Bearings with Rubber Seals (VV and DD) are all made of steel.



Type	Part Number			h Selection	d	Dh7	Tolerance	dh	B	H	L	L1	T	d1	d2	Unit Price		
	Bearing No.	Seal														BGTKB	BGTK	SBGTK
BGTKB BGTK SBGTK	608			15 20	8	22	+0.021 0	18	7	h+15	53	41	12	9.5	5.5			
	628			15 20				20	8	h+16	56	44	15					
	6900			20 25	10	26	+0.021 0	19	6	h+15	53	41	12	9.5	5.5			
	6000			20 25				22	8	h+17	58	46	15					
	6200			20 25	12	30	+0.025 0	24	9	h+19	62	50	15	9.5	5.5			
	6901	ZZ Double Shielded (x1.0)		20 25				21	6	h+16	56	44	12					
	6001			20 25	15	32	+0.021 0	24	8	h+18	60	48	15	9.5	5.5			
	6201	VV Non-Contact Sealed Rubber Seal (x1.1)		20 25				26	10	h+20	64	52	16					
	6902			20 25	17	28	+0.025 0	25	7	h+18	60	48	12	9.5	5.5			
	6002	DD Contact Sealed Rubber Seal (x1.1)		20 25				28	9	h+20	68	54	15					
	6202			25 30	20	35	+0.021 0	29	11	h+22	72	58	16	9.5	5.5			
	6903			20 25				30	7	h+19	64	52	13					
	6003			25 30	20	30	+0.025 0	31	10	h+22	70	56	16	9.5	5.5			
	6203			25 30				34	12	h+24	76	62	19					
	6904			25 30	20	37	+0.021 0	34	9	h+23	73	59	15	9.5	5.5			
	6004			25 30				36	12	h+25	82	66	19					
	6204			30 35	20	42	+0.025 0	40	14	h+28	88	72	19	9.5	5.5			
								47	14	h+28	88	72	19					

*The price of sealed VV and DD are the price shown in the table multiplied by 1.1.

Ordering Example

Type	Bearing	Seal	h
BGTKB	6900	ZZ	25
BGTK	6002	VV	20


Alterations

Part Number - h - (NA)
 BGTK6903ZZ - 25 - NA

Alteration Code	Spec.
NA	Bearings, Retaining Rings Not Assembled
	Bearings and retaining rings are shipped unassembled to the housing.

Bearings with Housings

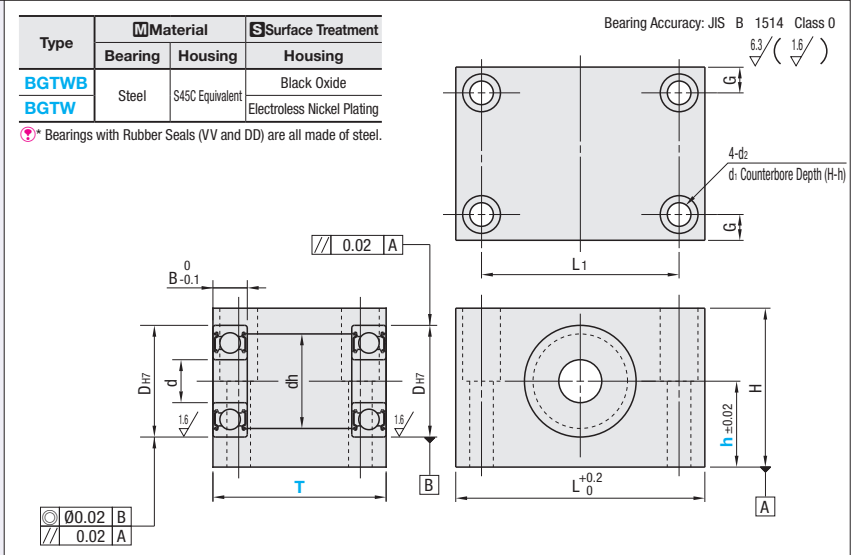
Block Double Bearings



Type	Material		Surface Treatment	Accessory
	Bearing	Housing	Housing	Retaining Ring
BGTWB	Steel	S45C Equivalent	Black Oxide	Spring Steel
BGTW	Steel	S45C Equivalent	Electroless Nickel Plating	SUS304

Bearing Accuracy: JIS B 1514 Class 0
 $\sqrt{0.03} / (\sqrt{1.5})$

* Bearings with Rubber Seals (VV and DD) are all made of steel.



Type	Part Number			h Selection	d	Dh7	Tolerance	dh	B	H	L	L1	G	d1	d2	Unit Price	
	Bearing No.	Seal														BGTWB	BGTW
BGTWB BGTW	608			15 20	8	22	+0.021 0	18	7	h+15	53	41	6	9.5	5.5		
	628			15 20				20	8	h+16	56	44					
	6900			20 25	10	26	+0.021 0	19	6	h+15	53	41	6	9.5	5.5		
	6000			20 25				22	8	h+17	58	46					
	6200			20 25	12	30	+0.025 0	24	9	h+19	62	50	6	9.5	5.5		
	6901	ZZ Double Shielded (x1.0)		20 25				21	6	h+16	56	44					
	6001			20 25	15	32	+0.021 0	24	8	h+18	60	48	6	9.5	5.5		
	6201	VV Non-Contact Sealed Rubber Seal (x1.1)		20 25				26	10	h+20	64	52					
	6902			20 25	17	28	+0.025 0	25	7	h+18	60	48	6	9.5	5.5		
	6002	DD Contact Sealed Rubber Seal (x1.1)		20 25				28	9	h+20	68	54					
	6202			25 30	20	35	+0.021 0	29	11	h+22	72	58	6	9.5	5.5		
	6903			20 25				30	7	h+19	64	52					
	6003			25 30	20	30	+0.025 0	31	10	h+22	70	56	6	9.5	5.5		
	6203			25 30				34	12	h+24	76	62					
	6904			25 30	20	37	+0.021 0	34	9	h+23	73	59	6	9.5	5.5		
	6004			25 30				36	12	h+25	82	66					
	6204			30 35	20	42	+0.025 0	40	14	h+28	88	72	6	9.5	5.5		
								47	14	h+28	88	72					

*The price of sealed VV and DD are the price shown in the table multiplied by 1.1.

Ordering Example

Type	Bearing	Seal	T	h
BGTW	6201	VV	30	20
BGTWB	6000	DD	25	20

Alterations

Part Number - T - h - (NA)
 BGTW608VV - 25 - 20 - NA

Alteration Code	Spec.
NA	Bearings Not Assembled
	Bearings are shipped unassembled to the housing.