


Rolled Ball Screws Compact Nut - Shaft Dia. 25; Lead 5

Accuracy Grade C10

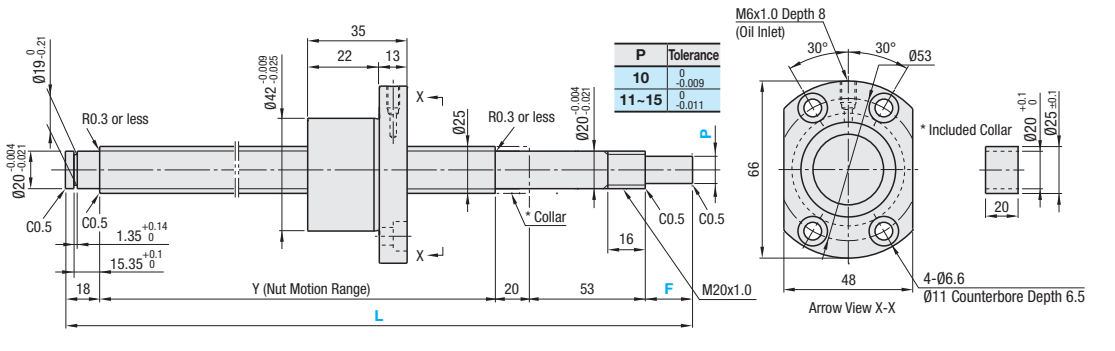
Points of comparison between similar products | Consider using this product if the usage environment is a high-load, and high-frequency drive application.



Nut Type	Type		Accuracy Grade	Shaft Dia.	Lead	Screw Shaft			Nut		
	Standard	F, P Configurable				Material	Hardness	Surface Treatment	Material	Hardness	Surface Treatment
Compact Nut	BSSC	BSSCK	C10	25	5	S55C	Induction Hardened 56-62HRC	-	SCM420H	Carburized 58-62HRC	-

Features of Compact Nut

- Compact O.D.
- Lower profile sliders can be used.
- Longer strokes



BSSC(K)2505

* Included Collar (1 pc.)
M Material: S45C
S Surface Treatment: Black Oxide

Nut Type	Accuracy Grade	Part Number		1mm Increment			Y	Ball Dia.	Ball Center Dia.	Screw Root Dia.	Number of Circuits	Basic Load Rating		Axial Play	Twisting Direction	
		Type	Screw Shaft O.D.	Lead	L	*F						*P	C (Dynamic) kN			Co (Static) kN
Compact Nut	C10	BSSC	25	05	200-2000	27	15	L-118	3.175	25.5	(22.25)	3 turns, 1 row	5.47	12.52	0.10 or Less	Right
		BSSCK				27-45	10-15									

* F and P are configurable for BSSCK only. $F \leq P \times 3$ kgf=Nx0.101972

Nut Type	Accuracy Grade	Part Number	Unit Price 1 ~ 4 pc(s).					
			L200-400	L401-600	L601-800	L801-1000	L1001-1200	L1201-1500
Compact Nut	C10	BSSC2505						

Ordering Example
Part Number - **L** - **F** - **P**
BSSC2505 - **521**
BSSCK2505 - **300** - **F32** - **P13**

Notes

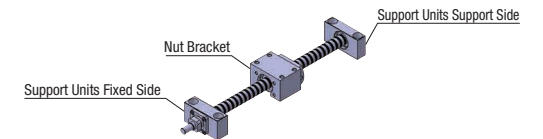
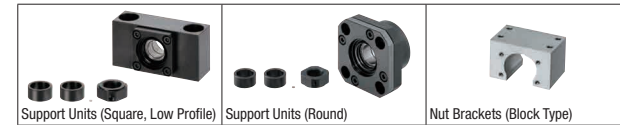
- ① Filled with lithium soap based grease (Alvania Grease S2 made by Showa Shell Sekiyu K.K).
- ② For accuracy of Ball Screws, see **P2223** and **P2224**.
- ③ For details of Support Units, see **P753** ~ **P778**.
- ④ **Cautions:** Do not let the nuts overrun or remove the nuts from the screw shafts.
It may cause the balls to fall out or damage the ball recirculation parts.
- ⑤ Use the "* collar" position in the diagram for the accessory collar. Use one of the support unit accessory collars on the fastening nut side.
- ⑥ Do not tilt the ball screw assembly since the nut may spin off from the shaft due to its own weight.

Alterations **Part Number** - **L** - **F** - **P** - (FC, KC...etc.)
BSSC2005 - **350** - **KC10**

Alterations	Code	Spec.
No Machining on Support Side Shaft End	NC	No machining added on the support side shaft end. Ordering Code: NC
Ball Nut Orientation Reversed (Support Side) (Fixed Side)	RLC	Changes the nut direction. Ordering Code: RLC
No Retaining Ring Groove on Support Side Shaft End	RNC	No Retaining Ring Groove on Support Side Shaft End. Ordering Code: RNC ① Combination with FC is not available.
Change Support Side Shaft End Machining	GC	Changes the machining on the support side. Q is selectable from 10, 12, 15 and 20. G=1mm Increment Ordering Code: GC-Q10-G20 ① $5 \leq G \leq Q \times 3$ ② Y dimension is shortened.
Change Support Side Shaft End Length	FC	Changes the length of the support side shaft end. FC=1mm Increment Ordering Code: FC20 ① $19 \leq FC \leq 60$ ② Y dimension is shortened.
Tapped Hole on Support Side Shaft End	MC	Adds a tapped hole on the support side shaft end. MC=1mm Increment Ordering Code: MC25 ① Y dimension is shortened. ② $28 \leq MC \leq 60$

Alterations	Code	Spec.
Wrench Flats on Fixed Side	SZC	Adds wrench flats on the fixed side shaft end. Ordering Code: SZC ① Ball bearings will fall out if the ball nut crosses the wrench flats.
Keyway on Fixed Side Shaft End Detailed Keyway Dimensions	KC	Adds a keyway on the fixed side shaft end. KC=1mm Increment Ordering Code: KC15 ① $5 \leq KC \leq P \times 3$ KC≤F-1
Keyway on Fixed Side Shaft End	KLC	Adds a keyway at a customer specified area on the fixed side shaft end. (Keyway dim. is same as KC.) K, S=1mm Increment Ordering Code: KLC-K7-S2 ① $6 \leq K+S \leq P \times 3$ K+S≤F-1
Flat Machined on Fixed Side Shaft End	SC	Adds a flat on the fixed side shaft end. SC=1mm Increment Ordering Code: SC7 ① $5 \leq SC \leq P \times 3$ SC≤F-1
2 Flats Machined on Fixed Side Shaft End	SWC SGC	Adds two flats on the fixed side shaft end. SWC: 90° Position SGC: 120° Position 1mm Increment Ordering Code: SWC10 ① $5 \leq SWC, SGC \leq P \times 3$ SWC, SGC≤F-1
Installing Special Temporary Shaft	TAS	Special Temporary Shafts suitable with Ball Screws are installed. When removing Nut from Screw Shaft, always use Special Temporary Shaft. ① For installation method, see P685 .

Peripherals: Combination of the following parts is available.



Combination with Support Units

Ball Screw Part Number	Recommended Support Unit							
	Type	Screw Shaft O.D.	Lead	Part Number Type No.	Shape	Fixed Side	Support Side	Page
BSSC	25	05	20	BSV	Square Low Profile	○	○	P.771
				BUV				P.772
				BRW				P.767
				BUR				P.768

Combination with Nut Brackets

Ball Screw Part Number	Recommended Nut Bracket			
	Type	Part Number	Page	
BSSC	25	05	BNFB	P.780
			BNFM	
			BNFA	

① Other than the part numbers shown above, a wide variety of Support Units are also available. (P.761-P.778)

① Other than the part numbers shown above, a wide variety of Nut Brackets are also available. (P.780)

Example

