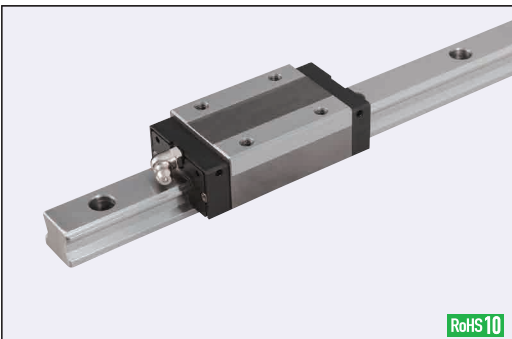


# MISUMI C-VALUE Linear Guides for Super Heavy Load Normal Clearance

Similar Product Page P.581

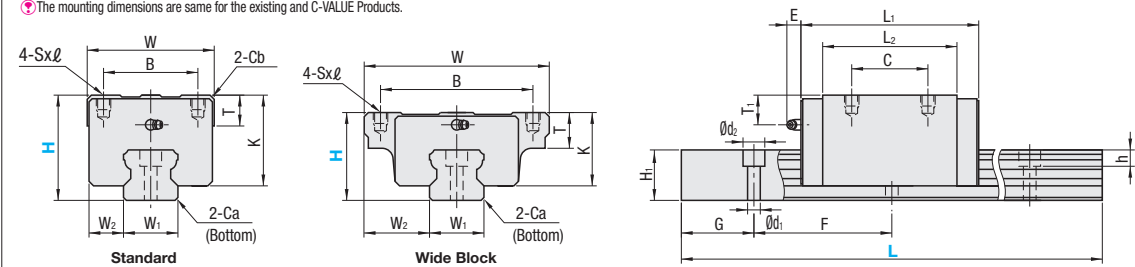
**Similar Products Comparison Points** | Select C-VALUE Products for medium-accuracy positioning, medium/low load, and medium-to-low frequency drive applications. When you consider using C-VALUE Products, select an appropriate model after comparing the specifications with those of the existing products. P.581



Block Type	Type		L Dimension	Material / Hardness
	1 block	2 blocks		
Standard Block	C-SHR	C-SH2R	Selectable	Rails / Blocks: Carbon Steel 58-62HRC
	C-SHRL	C-SH2RL	Configurable	
Wide Block	C-SHWT	C-SH2WT	Selectable	
	C-SHWTL	C-SH2WTL	Configurable	

Heat Resistant Temperature: -20 ~ 80°C

The mounting dimensions are same for the existing and C-VALUE Products.



For L Configurable, G dimensions differ from those shown in the table below. For details, see P.531.

- Precautions for Use**
  - This product is All Ball Type. Blocks are equipped with retainers to prevent balls from derailing. For how to handle the blocks, see P.525.
  - Radial clearances and accuracies are not guaranteed if the blocks and rails are interchanged from the original set combinations.
  - Thick grooves are provided on the datum planes of blocks and rails. Be sure to match the datum planes when using.
  - Rails cannot be connected end to end.
  - The accuracy of Linear Guides is guaranteed after mounting the rail (after fastening screws on the rail and pushing it onto the datum plane).
  - Minor bending of the rail will be adjusted after being mounted and will not affect the performance.
- Others**
  - Filled with Lithium soap based grease (Alvania Grease S2 by Showa Shell Sekiyu K.K.).
  - Grease Fittings: Straight Type for H24 and H28 and Angled Type for H30, H36, H40, H42 and H45.
  - Grease Fitting is screw-in type, and thus, can be repositioned.
  - For installation and maintenance of Linear Guides, see P.529.

	Part Number		H	L	Block Dimension											Guide Rail Dimension							
	TYPE				W	L1	B	C	Sxℓ	L2	K	T	Cb	Grease Fitting			H1	W1	W2	Ca	Counterbored Hole d1xd2xh	F	G
	1 block	2 blocks												Mounting Hole	E	T1							
Standard	C-SHR C-SHRL	C-SH2R C-SH2RL	28	100-1960 (160)	34	55.9	26	26	M4x5	39.5	24.8	10.2	0.5	M4x0.7	7	9.5	13	15	9.5	0.5	4.5x7.5x6	60	20
			30	160-1960 (220)	44	74	32	36	M5x5	54	25.4	8.2	0.5	M6x1	14	6.5	16.5	20	12	0.5	6x9.5x8.5	60	20
	40	160-1960 (220)	48	80	35	35	M6x6.5	59	34.2	12.15	1.0	M6x1	14	11.5	20	23	12.5	0.9	7x11x9	60	20		
	45	200-1960 (280)	60	95.3	40	40	M8x10	69.3	38	11	1.0	M6x1	14	11	23	28	16	1.0	9x14x12	80	20		
Wide Block	C-SHWT C-SHWTL	C-SH2WT C-SH2WTL	24	100-1960 (160)	47	55.9	38	30	M5x8	39.5	20.8	8	-	M4x0.7	7	5.5	13	15	16	0.5	4.5x7.5x6	60	20
			30	160-1960 (220)	63	74	53	40	M6x10	54	25.4	10	-	M6x1	14	6.5	16.5	20	21.5	0.5	6x9.5x8.5	60	20
	36	160-1960 (220)	70	80	57	45	M8x12	59	30.2	12	-	M6x1	14	7.5	20	23	23.5	0.9	7x11x9	60	20		
	42	200-1960 (280)	90	95.3	72	52	M10x15	69.3	35	15	-	M6x1	14	8	23	28	31	1.0	9x14x12	80	20		

### Allowable Load

H	Basic Load Rating		Allowable Static Moment			Mass		
	C (Dynamic) kN	C0 kN	MA N-m	MB N-m	MC N-m	Block kg		Guide Rail kg/m
						Standard	Wide	
24 28	5.1	10.2	54.2	54.2	79.9	0.20	0.20	1.32
30	8.6	16.8	117.3	117.3	178.6	0.29	0.40	2.28
36 40	11.0	20.8	158.3	158.3	254.0	0.55	0.62	3.17
42 45	16.0	29.4	263.4	263.4	432.5	0.85	1.42	4.54



### Preload and Accuracy Standards Interchangeable, Light Preload Type

Radial Clearance (µm)	
H24 H28	-4--+4
H30	-5--+5
H36 H40	-6--+6
H42 H45	-7--+7

Dimensional Accuracy (µm)	
Height H Tolerance	±120
Variation of Height H	40
Width W2 Tolerance	±120
Variation of Width W2	40
Running Parallelism of Plane C against Plane A	See P.525
Running Parallelism of Plane D against Plane B	See P.525

H	Selectable L	Unit Price			
		1 block		2 blocks	
		C-SHR	C-SHWT	C-SH2R	C-SH2WT
	100				
	160				
	220				
	280				
	340				
	400				
	460				
	520				
	580				
	640				
	700				
	760				
	820				
	880				
	940				
	1000				
24 (SHWT)	1060				
28 (SHR)	1120				
	1180				
	1240				
	1300				
	1360				
	1420				
	1480				
	1540				
	1600				
	1660				
	1720				
	1780				
	1840				
	1900				
	1960				
	160				
	220				
	280				
	340				
	400				
	460				
	520				
	580				
	640				
	700				
	760				
	820				
	880				
	940				
	1000				
30	1060				
	1120				
	1180				
	1240				
	1300				
	1360				
	1420				
	1480				
	1540				
	1600				
	1660				
	1720				
	1780				
	1840				
	1900				
	1960				
	160				
	220				
	280				
	340				
	400				
	460				
	520				
	580				
	640				
	700				
	760				
	820				
	880				
	940				
	1000				
36 (SHWT)	1060				
40 (SHR)	1120				
	1180				
	1240				
	1300				
	1360				
	1420				
	1480				
	1540				
	1600				
	1660				
	1720				
	1780				
	1840				
	1900				
	1960				
	160				
	220				
	280				
	340				
	400				
	460				
	520				
	580				
	640				
	700				
	760				
	820				
	880				
	940				
	1000				
42 (SHWT)	1060				
45 (SHR)	1120				
	1180				
	1240				
	1300				
	1360				
	1420				
	1480				
	1540				
	1600				
	1660				
	1720				
	1780				
	1840				
	1900				
	1960				
	160				
	220				
	280				
	340				
	400				
	460				
	520				
	580				
	640				
	700				
	760				
	820				
	880				
	940				
	1000				
44 (SHWT)	1060				
47 (SHR)	1120				
	1180				
	1240				
	1300				
	1360				
	1420				
	1480				
	1540				
	1600				
	1660				
	1720				
	1780				
	1840				
	1900				
	1960				
	160				
	220				
	280				
	340				
	400				
	460				
	520				
	580				
	640				
	700				
	760				
	820				
	880				
	940				
	1000				
48 (SHWT)	1060				
51 (SHR)	1120				
	1180				
	1240				
	1300				
	1360				
	1420				
	1480				
	1540				
	1600				
	1660				
	1720				
	1780				
	1840				
	1900				
	1960				
	160				
	220				
	280				
	340				
	400				
	460				
	520				
	580				
	640				
	700				
	760				
	820				
	880				
	940				
	1000				
54 (SHWT)	1060				
57 (SHR)	1120				
	1180				
	1240				
	1300				
	1360				
	1420				
	1480				
	1540				
	1600				
	1660				
	1720				
	1780				
	1840				
	1900				
	1960				
	160				
	220				
	280				
	340				
	400				
	460				
	520				
	580				
	640				