

Oil Free Bushings

Copper Alloy, Flanged, Standard

Note that, for some of the types shown here, order might be unable to be received by the MISUMI Indonesia offices.



Oil Free Bushings

C-VALUE Products - Copper Alloy, Flanged, Standard

Points on Comparing Similar Products | If you use it for high-precision positioning, high load weight, and high frequency movement, consider from the existing product series.

Points on Comparing Similar Products | If you use it for medium-precision positioning, mid-to-low load weight, and mid-to-low frequency movement, consider from the C-VALUE Product series.

■ **Features:** Flanged, less likely to pull-out.

■ **Features:** Flanged, less likely to pull-out.

■ **Flanged, Standard**

MPFZ (Standard)

Detail of A: R1~3, 10°, 2.5~6 (0~3.5 Opposite Side)

2-C0.3~0.5, R0.3~0.5, Thickness (N), 1.6, Df6, dE7, 1.6, H, 15°, 1~2.5, t, L, -0.1, -0.3

Recommended Mating Shaft: d8: General Use (High-Load), e7: General Use (Light Load), f8: High Precision Use, g6: High Precision Use (Intermittent Operation)

Material: High Tensile Brass Alloy, Solid Lubricant Embedded

RoHS 10

Press fitting is recommended to affix bushings.

■ **Flanged, Standard**

C-MPFZ (Standard)

Detail of A: R1~3, 10°, 2.5~6 (0~3.5 Opposite Side)

2-C0.3~0.5, R0.3~0.5, Thickness (N), 1.6, Df6, dE7, 1.6, H, 15°, 1~2.5, t, L, +0.1, -0.5

Recommended Mating Shaft: d8: General Use (Medium Load), e7: General Use (Light Load), f8: Medium Precision Use, g6: Medium Precision Use (Intermittent Operation)

Material: High Tensile Brass Alloy, Solid Lubricant Embedded

Press fitting is recommended to affix bushings.

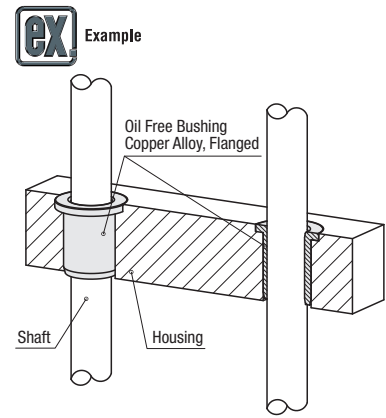
Part Number		L		Dm6	Thickness (N)	H	t	0 t-0.1	Housing Dia. (Recommended Dimension)	Ref. Dim.	Tolerance (H7)
MPFZ	5	+0.032 +0.020	10 12	9	2	14	2	2	9	9	+0.015 0
	6	+0.040 +0.025	10 12 15	10		16			10		
	8		10 12 15 20	12		20			12		
	10		10 12 15 20 25 30	14		22			14		
	12	+0.050 +0.032	10 12 15 20 25 30	18	25	18					
	13		10 12 15 20 25 30	19	26	19					
	15		10 12 15 20 25 30	21	28	21					
	16	+0.061 +0.040	12 15 20 25 30 35 40	22	29	22	+0.021 0				
	18		15 20 25 30 35 40	24	32	24					
	20		15 20 25 30 35 40	30	40	30					
	25	+0.075 +0.050	15 20 25 30 35 40 50	35	45	35	+0.025 0				
	30		20 25 30 35 40 50	40	50	40					
	35		20 25 30 35 40 50	45	60	45					
	40	+0.080 +0.047	20 25 30 35 40 50	50	65	50	+0.030 0				
	50		30 35 40 50 60	60	75	60					

Part Number		L		Dm6	Thickness (N)	H	t	+0.1 t-0.2	Housing Dia. (Recommended Dimension)	Ref. Dim.	Tolerance (H7)
C-MPFZ	10	+0.045 +0.020	15 20	14	2	22	2	2	14	14	+0.018 0
	12	+0.055 +0.027	15 20	18		25			18		
	13		15 20	19		26			19		
	15		15 20 25 30	21		28			21		
	16	+0.065 +0.035	15 20 25 30	22	29	22	+0.021 0				
	20		20 25 30 35	30	40	30					
	25		20 25 30 35 40	35	45	35					
	30	+0.056 +0.030	20 25 30 40 50	40	50	40	+0.025 0				
	35		30 40 50	45	60	45					
	40		30 40 50	50	65	50					
	50	+0.080 +0.047	40 60	60	75	60	+0.030 0				

Ordering Example: Part Number - L
MPFZ20 - 30

Ordering Example: Part Number - L
C-MPFZ20 - 30

Part Number	Type	d	L10	L12	L15	L20	L25	L30	L35	L40	L50	L60
MPFZ	5											
	6											
	8											
	10											
	12											
	13											
	15											
	16											
	18											
	20											
	25											
	30											
35												
40												
50												



Part Number	Type	d	L15	L20	L25	L30	L35	L40	L50	L60
C-MPFZ	10									
	12									
	13									
	15									
	16									
	20									
	25									
	30									
	35									
	40									
	50									

