

Bushings for Miniature Ball Guides

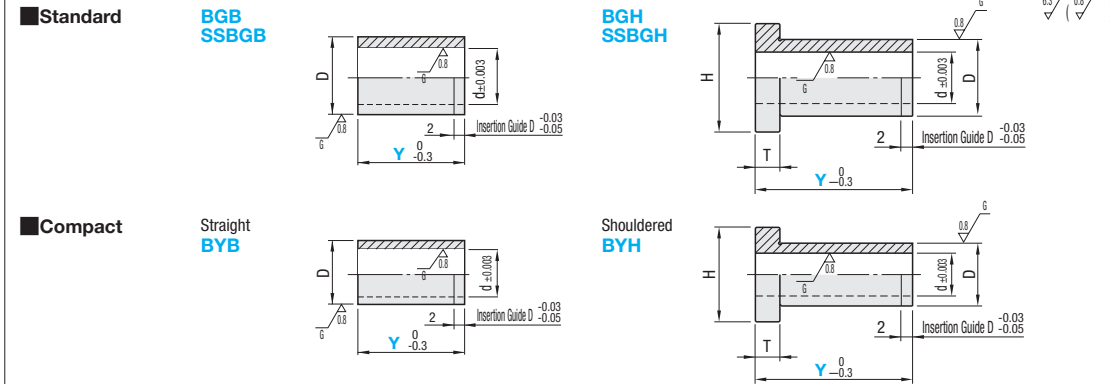
Standard / Compact

= For customers using industry standard products =
 The part enclosed in the red frame is as per industry standard specifications (SUJ2 material, Straight Bushings).
 Select from the specifications here.

Features: Most common type of bushings for miniature ball guides.

Industry Standard	Type				Material	Hardness
	Standard		Compact			
	Straight	Shouldered	Straight	Shouldered		
BGB	BGH	BYB	BYH	SUJ2	58HRC~	
SSBGB	SSBGH	-	-	SUS440C Equivalent	56HRC~	

Use Ball Slider Compact Type (BYB) in combination with Compact Type; Ball Sliders Standard Type (BGS, SSBGS) with Standard Type.
 Loctite is recommended to fix bushings.



Part Number Type	No.	Y Selection	D O.D. Tolerance	T	H	d	W	B	D1	Unit Price									
										BGB	SSBGB	BGH	SSBGH						
BGB	3	10	7	2.5	9	5	-	-	-										
		20																	
		30																	
	4	10								8	10	6	-	-	-				
		20																	
		30																	
		5	10	10	12	7	-	-	-										
		20																	
		30																	
	6	20	11							13	8	-	-	-					
		30																	
		40																	
	8	20	12	14	10	1.1	-	-											
	30																		
	40																		
	10	20							16	18	12	-	-	-					
	30																		
	40																		
	12	20	18	20	14	1.3	-	-											
	30																		
	40																		

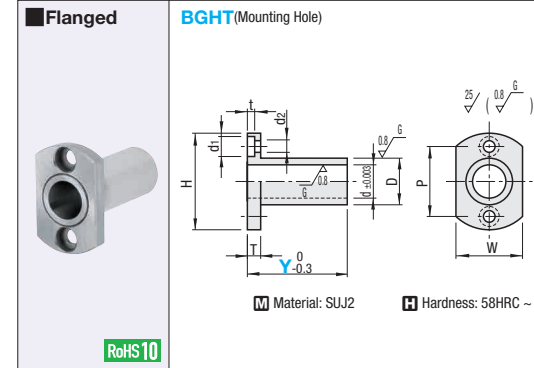
Ordering Example: Part Number - Y
 BYB5 - 20
 BGB5 - 20
 BGH10 - 40

Part Number Type	No.	Y Selection	D O.D. Tolerance	T	H	d	Unit Price						
							BYB	SSBYB	BYH	SSBYH			
BYB	2	10 15 20	5	2.5	7	3.2							
		10 20											
		3	30	6	8	4.2							
		4	10 20				7	9	5.2				
		30											
		5	10 20	8	10	6.2							
		30											
		6	20 30 40				9	11	7.2				
		8	20 30 40	11	13	9.2							
		10	30 40							14	16	12	
		30											
		12	30 40	16	18	14							
	50												

Bushings for Miniature Ball Guides / Ball Sliders

Compact / Standard

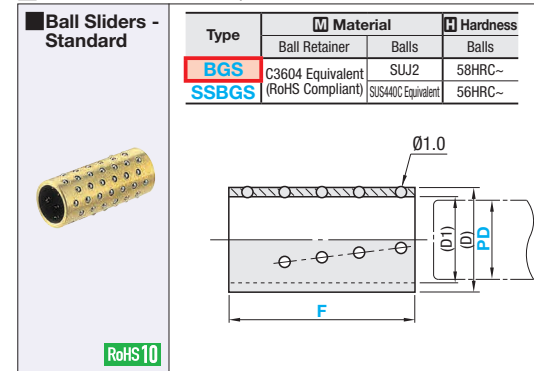
Features: The flanges can be screw mounted for convenient assembly.



Part Number Type	No.	Y Selection	D O.D. Tolerance	H	W	P	T	d	d1	d2	t	Unit Price
BGHT	5	20	10	25	16	17	7	6	3.5	2.2		
		30										
	6	20 30 40	12	28	18	20	4	8				
		8										20 30 40
		10	30 40	16	34	22	25	12	7.5	4.5	3	
		12	30 40									19
	50											

Use in combination with Ball Sliders Standard Type (BGS, SSBGS).

Features: Most common specification in ball sliders for miniature ball guides.

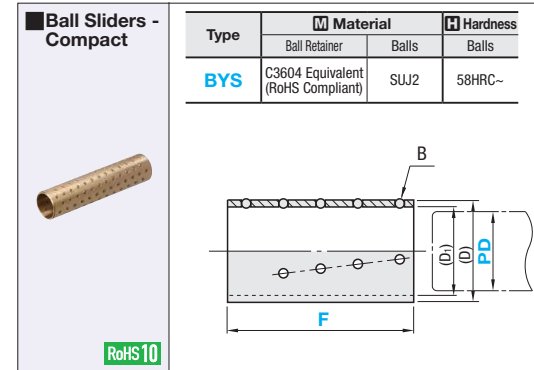


Part Number Type	PD	F Selection	(D)	(D1)	Unit Price		
					BGS	SSBGS	
BGS	3	10 15 20	4.8	3.2			
	4						
	5						
	SSBGS	6	15 20 30	7.8	6.2		
		8					
		10					
	12	20 30 40	11.8	10.2			
			13.8	12.2			

Use in combination with Bushings for Miniature Ball Guides Standard Type (BGB, SSBGB, BGH, SSBGH, BGHT).
 Basic Load Rating P361

= For customers using industry standard products =
 The part enclosed in the red frame is as per industry standard specifications.
 Select from the specifications here.

Features: As compared to the Standard Type, O.D. (D dimension) is 1mm compact.



Part Number Type	PD	F Selection	(D)	(D1)	B	Unit Price		
BYB	2	10 15 20	3.1	2.1	0.6			
	3							
	4							
	BYH	5	15 20 30	7.1		6.1		
		6						
		8						
	10	20 30 40	11.8	10.2	1.0			
	12		13.8	12.2				

Use in combination with Bushings for Miniature Ball Guides Compact Type (BYB, BYH).
 Basic Load Rating P361

Ordering Example: Part Number - Y, F
 BGHT5 - 20
 BGS5 - 15