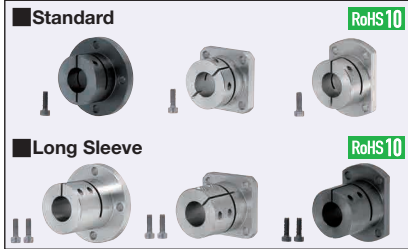


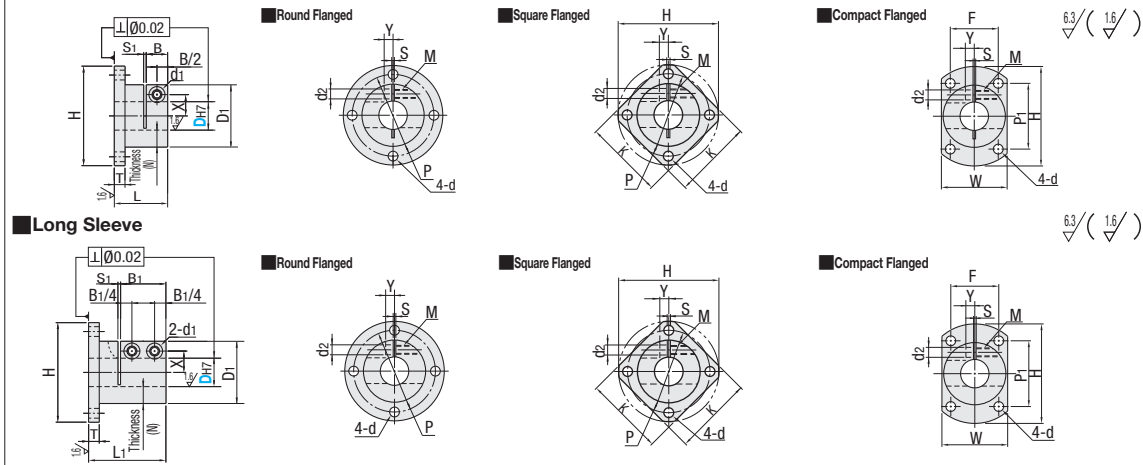
# Shaft Supports Flanged Mount with Slit Type

## Standard Type / Long Sleeve Type



Type	Round Flanged	Square Flanged	Compact Flanged	Material	Surface Treatment	Accessory
Standard	STHWRB	STHWSB	STHWCB	S45C	Black Oxide	Hex Socket Head Cap Screw 1 pc.
	STHWR	STHWS	STHWC	Equivalent	Electroless Nickel Plating	Hex Socket Head Cap Screw 1 pc. (SUS)
	SSTHWR	SSTHWS	SSTHWC	SUS304	-	-
Long Sleeve	STHWRBL	STHWSBL	STHWCBL	S45C	Black Oxide	Hex Socket Head Cap Screw 2 pcs.
	STHWRL	STHWSL	STHWCL	Equivalent	Electroless Nickel Plating	Hex Socket Head Cap Screw 2 pcs. (SUS)
	SSTHWRL	SSTHWSL	SSTHWCL	SUS304	-	-

### Standard - Through Mounting Holes



Part Number	Type	DH7	Sleeve Thickness (N)	L	L1	D1	H	T	B	B1	P	K	W	P1	F	d	S	S1	X	Y	d1	d2	M	Included Screw M x Length	Unit Price			
																									Round Flanged	Square Flanged	Compact Flanged	
Standard	Round Flanged	8	+0.015	8.5	18	-	25	39	5	10	-	32	30	27	25	20	3.5	1.5	7.5	3.5	7.5	4.6	M4	M4x10	-	-	-	
		10	0	10	20	-	30	49	5	10	-	40	38	32	33	23	4.5	1.5	10	3	9	5.6	M5	M5x10	-	-	-	
	Square Flanged	*12	0	9.5	24	-	32	52	6	12	-	46	44	37	37	27	5.5	1.5	11	4	9	5.6	M5	M5x12	-	-	-	
		13	0	10	27	-	35	56	6	12	-	52	50	42	43	30	6.6	2	12	5	9	6.6	M6	M6x20	-	-	-	
	Compact Flanged	*15	0	9.5	30	45	35	56	8	12	24	57	54	47	46	34	6.6	1.5	14	6	10	6.6	M6	M6x20	-	-	-	
		*16	0	10	32	48	40	64	8	12	24	57	54	47	46	34	6.6	1.5	14	6	10	6.6	M6	M6x20	-	-	-	
	Long Sleeve (only applicable to D dimension denoted with * mark)	Round Flanged	*20	+0.021	10	38	57	45	69	8	15	30	67	60	57	50	45	9	2	17	6	12	6.6	M8	M8x26	-	-	-
			*25	0	12.5	40	60	55	79	10	15	30	77	71	66	58	50	9	2	20	10	12	6.6	M6	M6x20	-	-	-
		Square Flanged	*30	0	15	55	82.5	70	104	12	18	36	87	81	76	67	55	9	2	23	12	14	9	M8	M8x26	-	-	-
			*35	0	17.5	65	97.5	85	119	12	22	44	102	94	91	82	60	9	2	26	13	14	9	M8	M8x26	-	-	-
Compact Flanged		*40	0	15	55	82.5	70	104	12	18	36	87	81	76	67	55	9	2	26	13	14	9	M8	M8x26	-	-	-	
	*50	0	17.5	65	97.5	85	119	12	22	44	102	94	91	82	60	9	2	32	16	18	11	M10	M10x32	-	-	-		

Long Sleeve Type is available only for D dimension denoted with \* mark.

D	Unit Price					
	Round Flanged	Square Flanged	Compact Flanged	Round Flanged	Square Flanged	Compact Flanged
8						
10						
12						
13						
15						
16						
20						
25						
30						
35						
40						
50						

Ordering Example: Part Number STHWR10

D	Unit Price					
	Round Flanged	Square Flanged	Compact Flanged	Round Flanged	Square Flanged	Compact Flanged
12						
16						
20						
25						
30						
35						
40						
50						

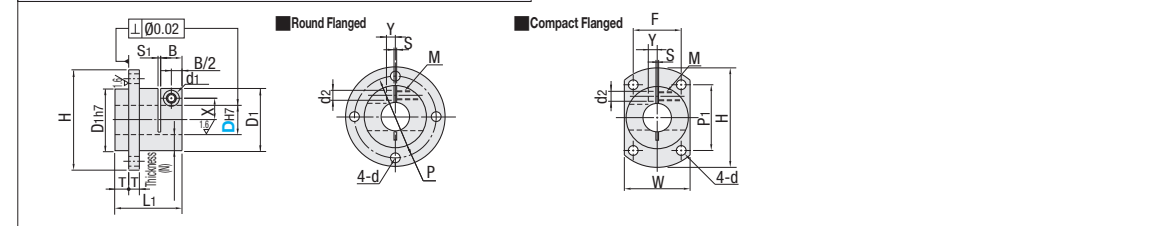
# Shaft Supports Flanged Mount with Slit Type

## With Pilot / With Dowel Holes

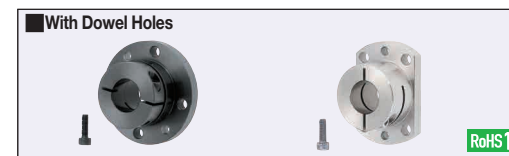
Features: Easy positioning during assembly.



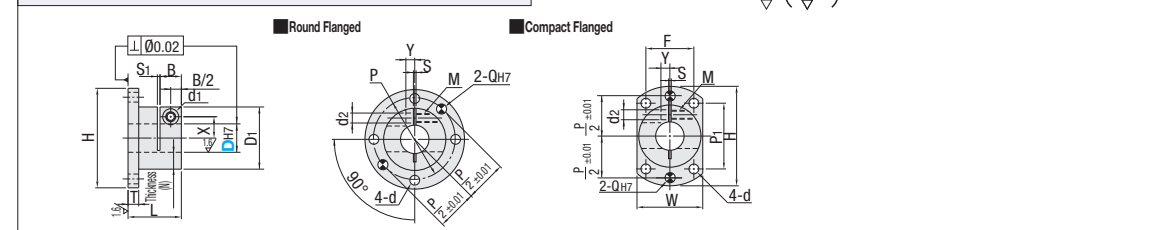
Round Flanged	Compact Flanged	Material	Surface Treatment	Accessory
STHWIRB	STHWICB	S45C	Black Oxide	Hex Socket Head Cap Screw 1 pc.
STHWIR	STHWIC	Equivalent	Electroless Nickel Plating	Hex Socket Head Cap Screw 1 pc. (SUS)
SSTHWIR	SSTHWIC	SUS304	-	-



Part Number	Type	DH7	Sleeve Thickness (N)	L	D1	H	T	B	P	W	P1	F	d	S	S1	X	Y	d1	d2	M	Included Screw M x Length	Unit Price		
																						Round Flanged	Square Flanged	Compact Flanged
Round Flanged	STHWIRB	8	+0.015	8.5	23	25	39	5	10	32	27	25	20	3.5	1.5	7.5	3.5	7.5	4.6	M4	M4x10	-	-	-
		10	0	10	25	30	49	5	10	40	32	33	23	4.5	1.5	10	3	9	5.6	M5	M5x10	-	-	-
	STHWIR	12	0	10	28	32	52	6	12	42	34	35	25	4.5	1.5	11	4	9	5.6	M5	M5x12	-	-	-
		15	0	10	33	35	56	6	12	46	37	37	27	5.5	1.5	12	5	9	5.6	M5	M5x12	-	-	-
	Compact Flanged	STHWICB	20	+0.021	10	40	40	64	8	12	52	42	43	30	6.6	2	14	6	10	6.6	M6	M6x20	-	-
25			0	10	46	45	69	8	15	57	47	46	34	6.6	2	17	6	12	6.6	M6	M6x20	-	-	-
STHWIC		30	0	12.5	50	55	79	10	15	67	57	50	45	9	2	20	10	12	6.6	M6	M6x20	-	-	-
STHWIC	40	+0.025	15	67	70	104	12	18	87	76	67	55	9	1.5	26	13	14	9	M8	M8x26	-	-	-	



Round Flanged	Compact Flanged	Material	Surface Treatment	Accessory
STHWIRBK	STHWICBK	S45C	Black Oxide	Hex Socket Head Cap Screw 1 pc.
STHWIRK	STHWICK	Equivalent	Electroless Nickel Plating	Hex Socket Head Cap Screw 1 pc. (SUS)
SSTHWIRK	SSTHWICK	SUS304	-	-



Part Number	Type	DH7	Sleeve Thickness (N)	L	D1	H	T	B	P	W	P1	F	d	S	S1	X	Y	d1	d2	Q	M	Included Screw M x Length	Unit Price		
																							Round Flanged	Square Flanged	Compact Flanged
Round Flanged	STHWIRBK	12	+0.018	10	22	32	52	6	10	42	34	35	25	4.5	1.5	11	4	9	5.6	4	M5	M5x12	-	-	-
		16	0	9.5	30	35	56	6	12	46	37	37	27	5.5	1.5	12	5	9	5.6	5	M5	M5x12	-	-	-
Compact Flanged	STHWICBK	20	+0.021	10	32	40	64	8	12	52	42	43	30	6.6	2	14	6	10	6.6	6	M6	M6x20	-	-	-
		25	0	10	38	45	69	8	15	57	47	46	34	6.6	2	17	6	12	6.6	6	M6	M6x20	-	-	-
	STHWICK	30	0	12.5	40	55	79	10	15	67	57	50	45	9	2	20	10	12	6.6	6	M6	M6x20	-	-	-

Ordering Example: Part Number STHWIR10 STHWRBK25