


Shaft Supports Flanged Mount, Thick Sleeve


Standard / Long Sleeve / With Pilot / With Dowel Holes

■ **Features:** Thicker sleeve than the standard type P.233 enhances strength against falling.

■ **Standard**

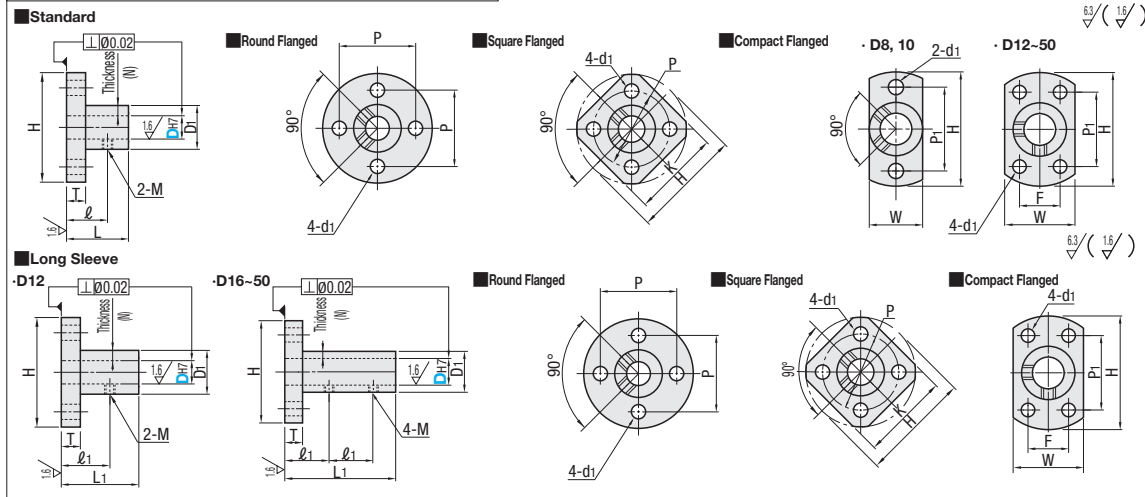


■ **Long Sleeve**



Type	Round Flanged	Square Flanged	Compact Flanged	Material	Surface Treatment
Standard	STHRBN	STHSBN	STHCBN	General	Black Oxide
	STHRN	STHSN	STHCN	Structural Steel	Electroless Nickel Plating
	SSTHRN	SSTHSN	SSTHCN	SUS304	-
Long Sleeve	STHRBNL	STHSBNL	STHCBNL	Aluminum Alloy	Clear Anodize
	STHRNL	STHSNL	STHCNL	General Structural Steel	Black Oxide
	SSTHRNL	SSTHSNL	SSTHCNL	SUS304	Electroless Nickel Plating

⚠ See Alterations section for inclusion of a Hex Socket Set Screw.



Part Number	Type	DH7	Sleeve Thickness (N)	L	L1	D1	H	T	l	l1	M (Coarse)	P	K	W	P1	F	d1
Standard		8 ²	+0.015	3.5	16	-	15	32	5	10	M3	25	25	15	25	-	3.5
Round Flanged	Square Flanged	10 ²	0	5	20	30	22	40	12	15	M3	30	30	20	30	-	4.5
STHRBN	STHSBN	12 ²		5.5	24	30	24	42	16	16	M4	32	32	25	28	16	4.5
STHRN	STHSN	13	+0.018	5.5	26	-	24	42	18	-	M4	34	34	27	28	18	4.5
SSTHRN	SSTHSN	15	0	5.5	30	-	26	48	18	-	M4	38	38	29	32	18	4.5
(Only for D dimension denoted with ² mark)		16 ²		6	32	48	28	50	19	16	M5	40	39	32	33	22	5.5
STHRNA	STHCNA	20 ²	+0.021	7.5	38	57	35	63	20	19	M5	50	48	40	42	25	6.6
STHRNL	STHSBNL	25 ²	0	7.5	40	68	40	68	23	19	M6	55	53	45	45	30	6.6
STHRN	STHSN	30 ²		10	45	73	45	73	24	19	M6	60	58	50	48	35	6.6
(Long Sleeve (Only for D dimension denoted with ¹ mark))		35	+0.025	10	55	89	55	89	24	19	M6	72	70	61	58	42	9
STHRNL	STHSNL	40	0	15	70	104	70	104	30	25	M8	87	80	76	68	54	9
STHRNL	STHSNL	50	0	15	80	114	80	114	30	25	M8	97	90	86	73	64	9

⚠ Clear and black anodized products are available for D dimension denoted with ² mark only. ⚠ Long Sleeve Type is available only for D dimension denoted with ¹ mark.

■ **Standard**


D	Unit Price												
	Round Flanged				Square Flanged				Compact Flanged				
	STHRBN	STHRN	SSTHRN	STHRNA	STHSBN	STHSN	SSTHSN	STHCBN	STHCN	SSTHCN	STHCNA		
8													
10													
12													
13													
15													
16													
20													
25													
30													
35													
40													
50													

■ **Long Sleeve**

D	Unit Price								
	Round Flanged			Square Flanged			Compact Flanged		
	STHRBNL	STHRNL	SSTHRNL	STHSBNL	STHSNL	SSTHSNL	STHCBNL	STHCNL	SSTHCNL
12									
16									
20									
25									
30									
35									
40									
50									

■ **Features:** Easy positioning during assembly.

■ **With Pilot**




Round Flanged	Compact Flanged	Material	Surface Treatment
STHRBN	STHCBN	General	Black Oxide
STHRN	STHCN	Structural Steel	Electroless Nickel Plating

⚠ See Alterations section for inclusion of a Hex Socket Set Screw.

Part Number	Type	DH7	Sleeve Thickness (N)	L	D1	H	T	l	M (Coarse)	P	W	P1	F	d1	Unit Price				
															Round Flanged	Compact Flanged	STHRBN	STHRN	
Round Flanged	Compact Flanged	8	+0.015	3.5	18	15	32	5	14	M3	25	15	25	-	3.5				
																8M			
																10			
																12			
																16			
																20			
STHRBN	STHCBN	12	+0.018	5	20	20	38	6	18	M4	30	20	30	-	4.5				
																12			
																16			
																20			
																25			
																30			

■ **With Dowel Holes**



Round Flanged	Compact Flanged	Material	Surface Treatment
STHRBNK	STHCBNK	General	Black Oxide
-	STHCNK	Structural Steel	Electroless Nickel Plating

⚠ See Alterations section for inclusion of a Hex Socket Set Screw.

Part Number	Type	DH7	Sleeve Thickness (N)	L	D1	H	T	l	M (Coarse)	P	W	P1	F	d1	Q	Unit Price			
																Round Flanged	Compact Flanged	STHRBNK	
Round Flanged	Compact Flanged	12	+0.018	5	24	22	40	6	15	M4	32	25	28	16	4.5	4			
																	16		
																	20		
																	25		
																	30		
																	30	+0.021	7.5

Ordering Example: Part Number STHRBN10, STHRNL20, STHCBN8M

Alterations

Code	Hex Socket Set Screw Included
MB	MB

Spec.

D	M x Length
8, 10	M3x3
8M, 12, 13, 15, 16	M4x3
20, 25	M5x4
30, 35	M6x5
40, 50	M8x6

Hex socket set screws come with as a set. Screw head may protrude from outer cylinder (D1). Inclusion of screws are SCM435 (Black Oxide) for Black Oxide and Black Anodized products. Products other than above are SUS products. Long Sleeve Type comes with 4 set screws; others come with 2 set screws.