

Device Stands

Compact - Through Hole

■ Features: A set of a device mounting post and a stand for mounting in limited spaces.

■ Sets (Posts + Brackets)

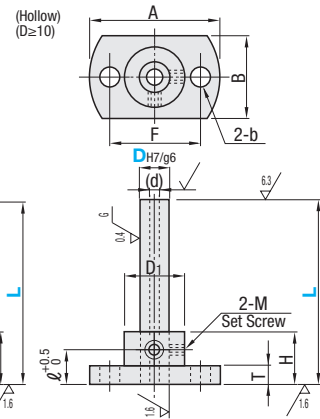
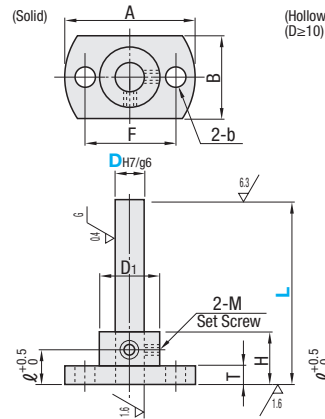


■ Sets (Posts + Brackets)

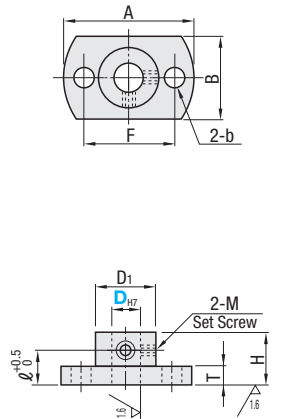
Type		Post			Bracket		Accessory	
Solid	Hollow	Material	Hardness	Surface Treatment	Material	Surface Treatment	Solid	Hollow
FSBAM	FSBAM	S45C Equivalent Induction Hardened	-	Electroless Nickel Plating	S45C	Low Temp. Black Chrome Plating	Set Screw	Set Screw Cap (P2143)
MFSBN	MFSBA	S45C Equivalent	-	Black Oxide	S45C	Low Temp. Black Chrome Plating		
KFSBN	KFSBA	S45C Equivalent	-	Black Oxide	S45C	Low Temp. Black Chrome Plating		
MSFSBN	MFSBB	SUS304	-	-	SUS304	Electroless Nickel Plating		
FSTNM	FSTAM	S45C Equivalent Induction Hardened	-	Electroless Nickel Plating	S45C	Electroless Nickel Plating		
MFSTN	MFSTA	S45C Equivalent	-	-	S45C	Electroless Nickel Plating		
MSFSTN	MFSTB	SUS304	-	-	SUS304	Electroless Nickel Plating		
KBFSBN	KBFSBA	S45C Equivalent	-	Black Oxide	S45C	Black Oxide		
MSFSS	MFSSS	SUS304	-	-	SUS304	-		

* Case Induction Hardened (Post): 58HRC ~, Depth 1.0 ~ 1.5
 * For Posts for Stands only, see P2143, 2144.
 * There may be no electroless nickel plating and black oxide at ends and grooves of posts.

■ Sets (Posts + Brackets)



■ Bracket only



Part Number		Dg6	L 1mm Increment	A	B	F	D1	H	T	l	b	M	(d)
Type	Set												
(Solid) FSBAM	(Hollow) FSBAM	6	50~150	33	18	23	14	20	6	12.5			
MFSBN	MFSBA	8	50~200	38	20	26	16	30	8	15	4.5	M4	
KFSBN	KFSBA	10	50~250	40	22	28	18	35	8	18		M4	6.0
MSFSBN	MFSBB	12	50~300	46	24	32	20	35	8	18	5.5	M4	6.0
FSTNM	FSTAM	15	75~350	56	29	40	25	40	8	20	6.6	M5	10.0
MFSTN	MFSTA	20	75~400	63	34	46	30	45	10	25	6.6	M5	11.7
MSFSTN	MFSTB	25	75~450	78	41	56	37	50	10	30		M5	15.2
KBFSBN	KBFSBA	30	100~450	82	46	62	42	60	10	30	9	M6	16.0

*1. D6 is available for FSTNM, MFSBN, MFSTN, MSFSTN, MFSBF and MFSTF only. *2. Hollow posts are available from D10. *3. Refer to the price list for availability of brackets as a separate item.

Ordering Example: Part Number - L
 MFSTN15 - 250
 MFSBF20

■ Sets (Posts + Brackets)

D	L	Unit Price									
		Solid					Hollow				
		*2FSBAM	MFSBN	KFSBN	*2MSFSBN	FSBAM	MFSBA	KFSBA	MFSBN	MFSBA	MSFSS
6	Min. L ~ 100										
6	101~150										
8	Min. L ~ 100										
8	101~200										
10	Min. L ~ 150										
10	151~250										
12	Min. L ~ 150										
12	151~300										
15	Min. L ~ 200										
15	201~350										
20	Min. L ~ 200										
20	201~400										
25	Min. L ~ 200										
25	201~450										
30	Min. L ~ 200										
30	201~450										

*2. D6 is not available for FSBAM and MSFSS.

■ Bracket only

D	Unit Price		
	MFSBF	MFSTF	MFSS
6			
8			
10			
12			
15			
20			
25			
30			

Device Stands

Compact - Slotted Hole

■ Features: A set of a device mounting post and a stand for fine-tuning and mounting in limited spaces.

■ Sets (Posts + Brackets)

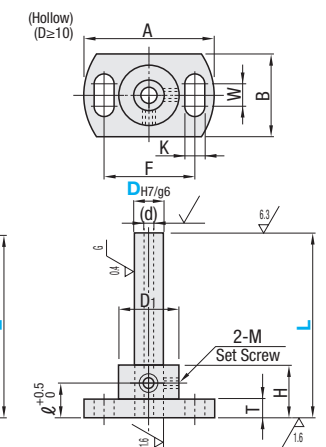
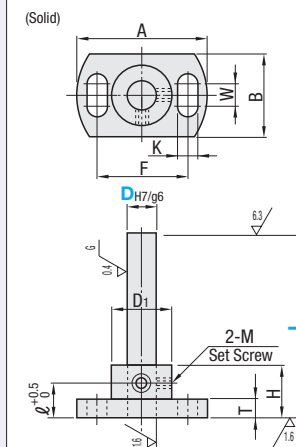


■ Sets (Posts + Brackets)

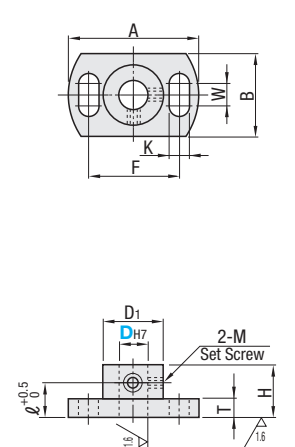
Type		Post			Bracket		Accessory	
Solid	Hollow	Material	Hardness	Surface Treatment	Material	Surface Treatment	Solid	Hollow
LFSBN	LFSBA	S45C Equivalent	-	Electroless Nickel Plating	S45C	Low Temp. Black Chrome Plating	Set Screw Washer	Set Screw Washer Cap (P2143)
LFSTSM	LFSTA	S45C Equivalent Induction Hardened	-	Electroless Nickel Plating	S45C	Low Temp. Black Chrome Plating		
LFSTN	LFSTA	S45C Equivalent	-	Electroless Nickel Plating	S45C	Electroless Nickel Plating		
LSFSS	LFSSS	SUS304	-	-	SUS304	-		

* Case Induction Hardened (Post): 58HRC ~, Depth 1.0 ~ 1.5
 * For Posts for Stands only, see P2143, 2144.
 * There may be no electroless nickel plating and black oxide at ends and grooves of posts.
 * Surface treatment may not be applied to the inside of the slotted holes on the bracket.

■ Sets (Posts + Brackets)



■ Bracket only



Part Number		Dg6	L	A	B	F	W	K	D1	H	T	l	M	(d)	Low Temp. Black Chrome Plating Bracket Included Washer	Electroless Nickel Plating Bracket Included Washer	SUS304 Bracket Included Washer
Type	Set																
(Solid) LFSBN	(Hollow) LFSBA	6	50~150	33	18	23			14	20	6	12.5					
LFSTSM	LFSTA	8	50~200	38	20	26	6	4.5	16	30	8	15	M4		WSSB6-4-2	WSSM6-4-2	WSSS6-4-2
LFSTN	LFSTA	10	50~250	40	22	28			18	35	8	18		6	WSSB10-4-2	WSSM10-4-2	WSSS10-4-2
LSFSS	LFSSS	12	50~300	46	24	32	6	5.5	20	35	8	18	M4	6	WSSB12-5-2	WSSM12-5-2	WSSS12-5-2
		15	75~350	56	29	40	10	6.6	25	40	10	20	M5	10	WSSB14-6-3	WSSM14-6-3	WSSS14-6-3
		20	75~400	63	34	46			30	45	10	25	M5	11.7	WSSB14-6-3	WSSM14-6-3	WSSS14-6-3
		25	75~450	78	41	56	10	9	37	50	10	30	M6	15.2	WSSB16-8-3	WSSM16-8-3	WSSS16-8-3
		30	100~450	82	46	62			42	60	10	30	M6	16	WSSB16-8-3	WSSM16-8-3	WSSS16-8-3

*1. Hollow posts are available from D10. *2. Refer to the price list for availability of Brackets as a separate item.

Ordering Example: Part Number - L
 LFSTN15 - 250
 LFSBF20

■ Sets (Posts + Brackets)

D	L	Unit Price				
		Solid		Hollow		
		LFSBN	LFSTSM	LSFSS	LFSBA	LFSTA
6	Min. L ~ 100					
6	101~150					
8	Min. L ~ 100					
8	101~200					
10	Min. L ~ 150					
10	151~250					
12	Min. L ~ 150					
12	151~300					
15	Min. L ~ 200					
15	201~350					
20	Min. L ~ 200					
20	201~400					
25	Min. L ~ 200					
25	201~450					
30	Min. L ~ 200					
30	201~450					

■ Bracket only

D	Unit Price	
	LFSBF	LFSTF
6		
8		
10		
12		
15		
20		
25		
30		



Example
 For Sensor Mounting (with Single Bracket)

