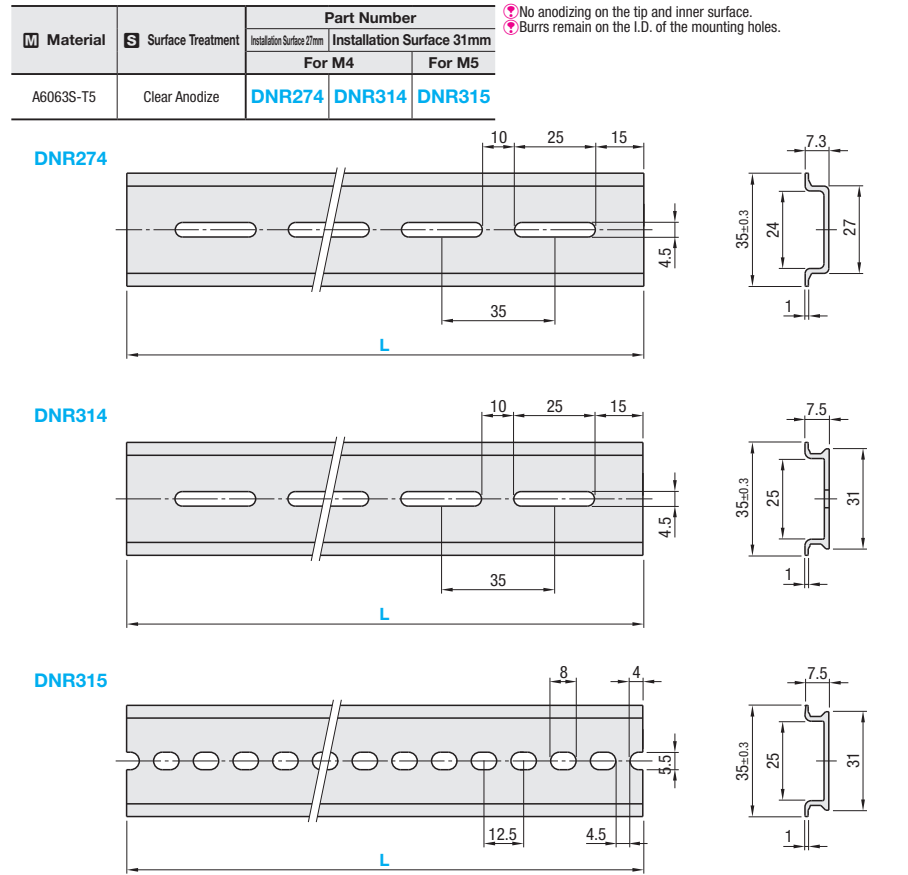


# DIN Rails

# Simple Brackets / Grounding Blocks

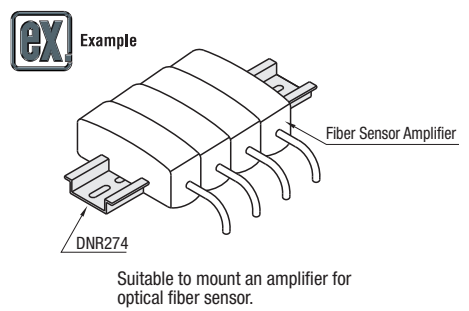
■ Features: DIN Rails for mounting amplifiers for fiber sensor or control panels.



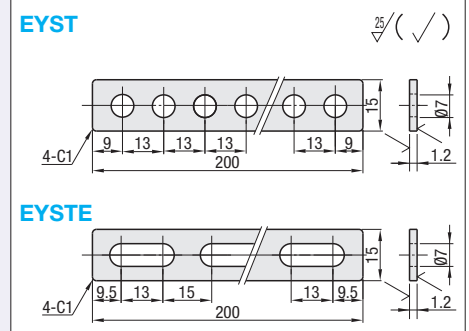
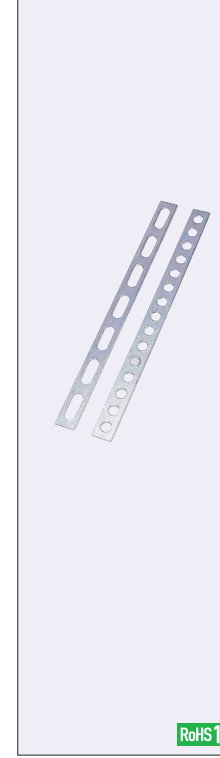
⚠ Rails with L=100, 150 and 200 will be cut at arbitrary hole positions. Thus, the dimensions from the end face shown in the drawing only apply to the case of L=1000.

Part Number	L Selection	DNR274, 314		DNR315	
		Unit Price	Volume Discount Rate	Unit Price	Volume Discount Rate
<b>DNR274</b> <b>DNR314</b> <b>DNR315</b>	100	1 ~ 9 pc(s)	10 ~ 29 pcs, 30 ~ 50 pcs.	1 ~ 9 pc(s)	10 ~ 50 pcs.
	150				
	200				
	1000				

Ordering Example: Part Number - L  
**DNR274** - 150  
**DNR315** - 1000



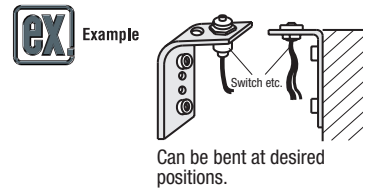
## Simple Brackets



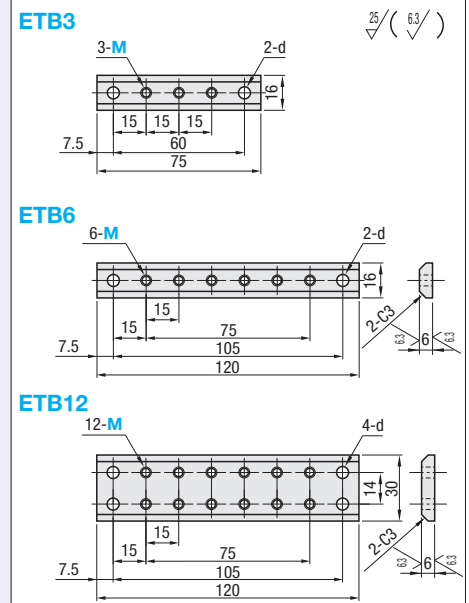
RoHS 10 M Material: SPCC S Surface Treatment: Trivalent Chromate

Part Number	Number of Mounting Holes	Unit Price
<b>EYST</b>	15	
<b>EYSTE</b>	7	

Ordering Example: Part Number **EYST**



## Grounding Blocks



M Material: C3604BE-F S Surface Treatment: Electroless Nickel Plating

Part Number	M	d	Unit Price		
			ETB3	ETB6	ETB12
<b>ETB3</b>	4	4.5			
<b>ETB6</b>	5	5.5			
<b>ETB12</b>	6	6.6			

Ordering Example: Part Number - M  
**ETB3** - 4

