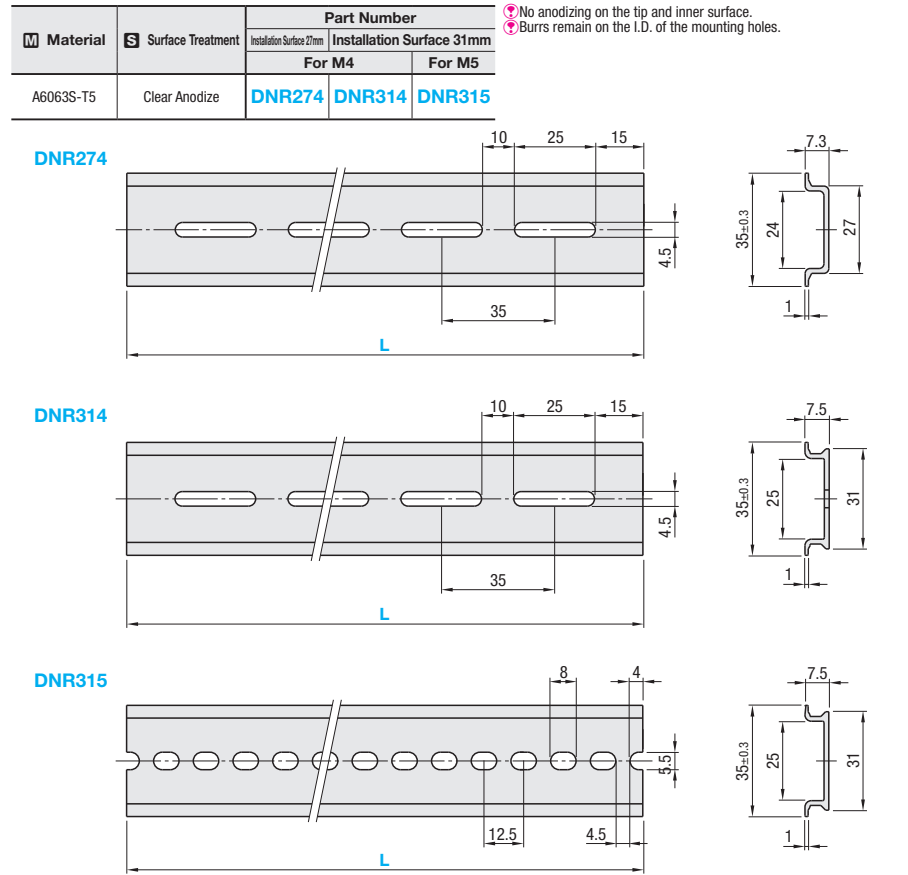


DIN Rails

Simple Brackets / Grounding Blocks

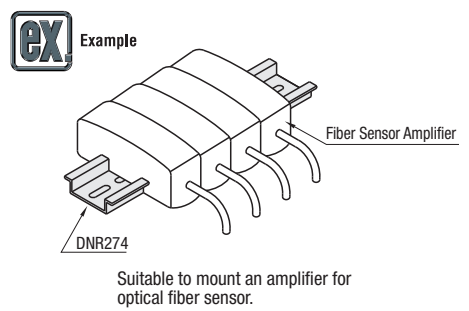
■ Features: DIN Rails for mounting amplifiers for fiber sensor or control panels.



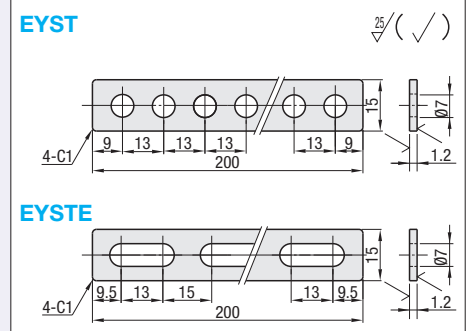
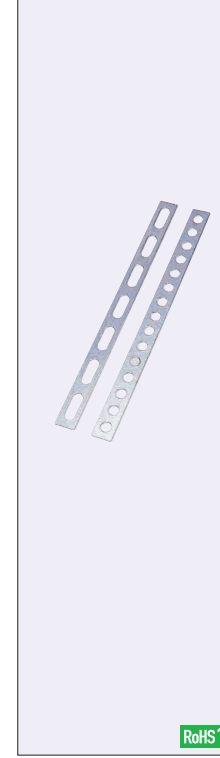
⚠ Rails with L=100, 150 and 200 will be cut at arbitrary hole positions. Thus, the dimensions from the end face shown in the drawing only apply to the case of L=1000.

Part Number	L Selection	DNR274, 314		DNR315	
		Unit Price	Volume Discount Rate	Unit Price	Volume Discount Rate
DNR274 DNR314 DNR315	100	1 ~ 9 pc(s)	10 ~ 29 pcs, 30 ~ 50 pcs.	1 ~ 9 pc(s)	10 ~ 50 pcs.
	150				
	200				
	1000				

Ordering Example: Part Number - L
DNR274 - 150
DNR315 - 1000



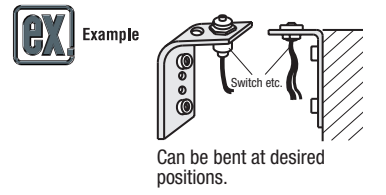
Simple Brackets



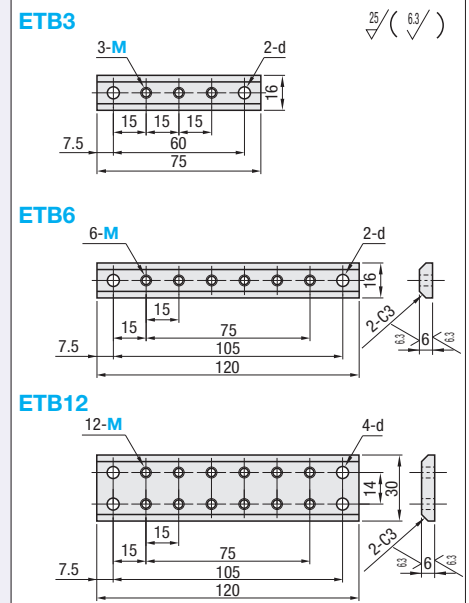
RoHS 10 M Material: SPCC S Surface Treatment: Trivalent Chromate

Part Number	Number of Mounting Holes	Unit Price
EYST	15	
EYSTE	7	

Ordering Example: Part Number - EYST



Grounding Blocks



M Material: C3604BE-F S Surface Treatment: Electroless Nickel Plating

Part Number	M	d	Unit Price		
			ETB3	ETB6	ETB12
ETB3	4	4.5			
ETB6	5	5.5			
ETB12	6	6.6			

Ordering Example: Part Number - M
ETB3 - 4

