

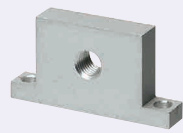
# Holders for Proximity Sensors / Sensor Flags / Sensor Flag Brackets

# Proximity Sensor Flags

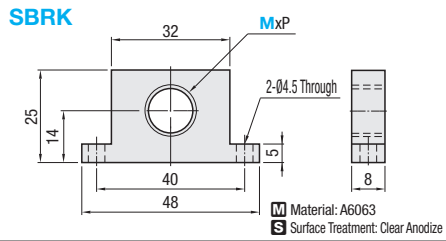
## Set Screw / Slit

■ **Features:** Can be used in combination with Rails for Switches and Sensors - Aluminum (No. 4) on P.2077~P.2083

### Holders for Proximity Sensors



RoHS 10

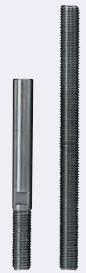


Part Number	Type	No.	M	MxP (Fine)	Unit Price	Volume Discount Rate
SBRK		4	8	8x1.0		10~50
			12	12x1.0		

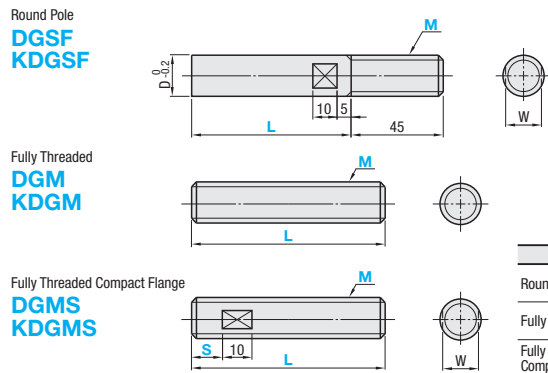
For orders larger than indicated quantity, please check with WOS.

Ordering Example: Part Number - M  
SBRK4 - 8

### Sensor Flags



RoHS 10



Type	M	Material	S	Surface Treatment
Round Pole	DGSF KDGSF	S45C		Black Oxide
Fully Threaded	DGM KDGM			Black Oxide
Fully Threaded Compact Flange	DGMS KDGMS			Black Oxide

Part Number	Type	M (Coarse)	L	5mm Increment	D	W	DGSF Unit Price				KDGSF Unit Price			
							L50~100	L105~200	L205~400	L405~600	L50~100	L105~200	L205~400	L405~600
Round Pole DGSF KDGSF		10	50~500		10	8								
		12												
		16												

Part Number	Type	M (Coarse)	L	5mm Increment	DGM Unit Price			KDGM Unit Price		
					L50~100	L105~200	L205~400	L50~100	L105~200	L205~400
Fully Threaded DGM KDGM		10	50~400							
		12								
		16								

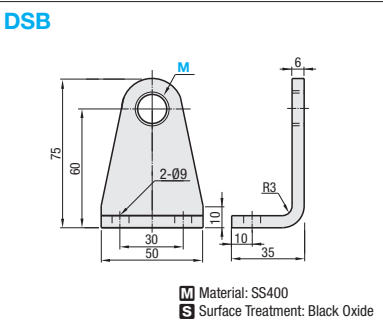
Part Number	Type	M (Coarse)	L	5mm Increment	S	W	DGMS Unit Price			KDGMS Unit Price		
							L50~100	L105~200	L205~400	L50~100	L105~200	L205~400
Fully Threaded Compact Flange DGMS KDGMS		10	50~400		0≤S≤L-10	8						
		12										
		16										

Ordering Example: Part Number - L - S  
DGSF10 - 150  
DGMS16 - 300 - 100

### Sensor Flag Brackets



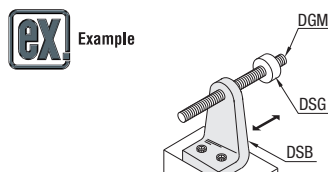
RoHS 10



M Material: SS400  
S Surface Treatment: Black Oxide

Part Number	Type	M (Coarse)	Unit Price	Volume Discount Rate
DSB		10	1 ~ 9 pc(s).	10~50
		12		
		16		

Ordering Example: Part Number - M  
DSB12



Limit Switch Flags P.2093, 2094

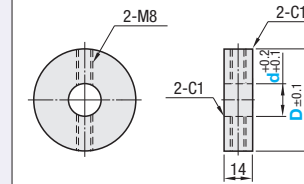
### Set Screw



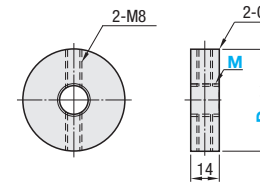
RoHS 10

Shaft Bore	Type	M	Material	S	Surface Treatment	A	Accessory
Disc Type with Through Hole	DSS	S45C			Black Oxide		Set Screw 2 pcs.
Disc Type with Tapped Hole	DMG, DMGFS						Set Screw 2 pcs., Brass Ball 2 pcs.

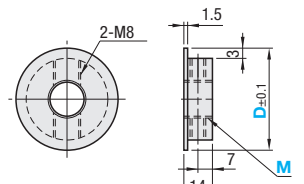
Disc Type with Through Hole and Set Screw  
DSS



Disc Type with Tapped Hole and Set Screw  
DMG (With Brass Ball)



Stepped Type with Tapped Hole and Set Screw  
DMGFS (With Brass Ball)



### With Through Hole and Set Screw

Part Number	Type	D	d	Unit Price	Volume Discount Rate	
						1 ~ 9 pc(s).
DSS		25	8			
		30	10			
		40	12	16		
		50	12	16		

For orders larger than indicated quantity, please check with WOS.

Ordering Example: Part Number - d, M  
Type D - d, M  
DSS 25 - 8

### With Tapped Hole and Set Screw

Part Number	Type	D	M (Coarse)	Unit Price	Volume Discount Rate	
						1 ~ 9 pc(s).
DMG		25	8			
		30	8	10		
		40	12	16		
		50	12	16		
DMGFS		40	12			
		50	12	16		

For orders larger than indicated quantity, please check with WOS.



Limit Switch Flags P.2093, 2094

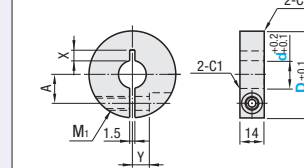
### With Slit



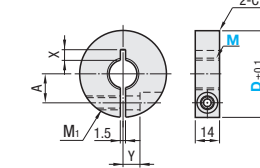
RoHS 10

Type	M	Material	S	Surface Treatment	A	Accessory
DSG, DMS, DMSL	S45C			Black Oxide		Hex Socket Head Cap Screw 1 pc.

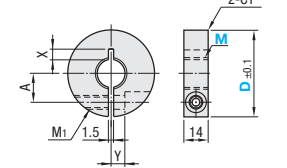
Disc Type with Through Hole and Slit  
DSG



Disc Type with Tapped Hole and Slit  
DMS



Disc Type with Tapped Hole and Slit, Deep C-bore  
DMSL



### Disc Type with Through Hole and Slit

Part Number	Type	D	d	M <sub>1</sub> (Coarse)	A	X	Y	Unit Price	Volume Discount Rate	
								1 ~ 9 pc(s).	10~50	
DSG		30	10	M5	9.0	6	6			
		40	12		16	14.0	7	8		
		50	12		16	16.5	10	10		

For orders larger than indicated quantity, please check with WOS.

### Disc Type with a Tapped Hole and Slit

Part Number	Type	D	M (Coarse)	M <sub>1</sub> (Coarse)	A	X	Y	Unit Price	Volume Discount Rate	
								1 ~ 9 pc(s).	10~50	
DMS		30	10	M5	9.0	6	6			
		40	12		16	14.0	7	8		
		50	12		16	16.5	10	10		
DMSL		40	12	M6	15.5	10	6			
		50	12		16	15.5	10	6		

For orders larger than indicated quantity, please check with WOS.

Ordering Example: Part Number - d, M  
Type D - d, M  
DSG 40 - 16  
DMS 30 - 10

