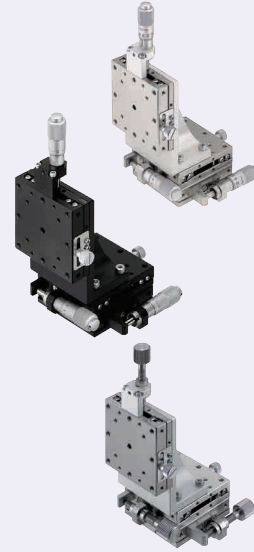


[High Precision] Linear Ball Micrometer Head / Feed Screw

Features: High Precision/rigidity Linear Ball Slide XYZ-Axis Stages. Further cost savings is possible by selecting the Feed Screw Type.

XYZ-Axis **RoHS10**

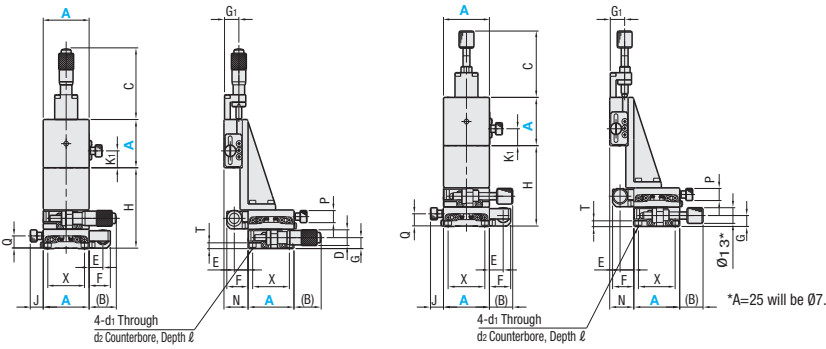


Micrometer Head

XYZSG
(25≤A≤80)
XYZSGB (Black)
(A=25, 40, 60, 80)

Feed Screw (Pitch 0.5)

XYZSCG
(25≤A≤80)



Type	Main Body	Ball	Spring	Micrometer Head Bracket	Tip Holder						
Micrometer Head	Feed Screw	Material	Surface Treatment	Material	Hardness	Material	Surface Treatment	Material	Surface Treatment	Material	Surface Treatment
XYZSG	XYZSCG	SUS440C	Electroless Nickel Plating	SUS440C	58HRC~	SUS304WPB	A5052	Clear Anodize	SUS303	-	-
XYZSGB	-	SUS440C	Low Temp. Black Chrome Plating	SUS440C	58HRC~	SUS304WPB	A5052	Black Anodize	SUS303	Low Temp. Black Chrome Plating	-

*A=25 will be Ø7.
4-d1 Through
d2 Counterbore, Depth ℓ

For top surface mounting dimensions, see Linear Ball Slide X-Axis Stages on P1921.

For Micrometer Head and Feed Screw materials, see P2005 and P2006.

Micrometer Head (XYZSG, XYZSGB) / Feed Screw (XYZSCG) Standard Stages with Similar Specifications: Combination of XYLSB (P1942) and ZLBS (P1965)

Part Number	Front View										Side View										Accessory (4 pcs.)		
	Type	A	H	(C)		K1	Q	J	(B)		Travel Distance (mm)	E	F	N	T	D	G	P	G1	X		d1	d2
XYZSG XYZSCG XYZSGB (*only)	25*	36.5	37	23	10	8.5	6.8	25	11	±3.2	7	11.7	7	3.7	9.3	7	6	10	20	2.5	4.2	2.5	SCB2-4
	40*	67	58.5	55	14	10.5	11.3	23.5	20.3	±6.5	12	18.5	5	4.5	13	8.9	10	13	32	3.5	6	3.5	SCB3-6
	50	62	58.5	55	19	10.5	11.3	18.5	15.3	±6.5	12	18.5	20	4.5	13	8.9	10	13	40	3.5	6	3.5	SCB3-6
	60*	57	58.5	55	24	10.5	11.3	13.5	10.3	±6.5	12	18.5	21	5	13	8.9	10	13	50	4.5	8	4	SCB4-6
	70	61	58.5	55	23.5	11.5	11.3	14	10.8	±6.5	12	18.5	12	6	13	10	10	14	60	4.5	8	4.5	SCB4-6
	80*	60	96	55	25	14.5	11.3	43.5	10	±12.5 ¹	17	26 ²	20	6.5	18	10.8	10	16.5	70	4.5	8	5.3	SCB4-6

*1 XYZSCG80 stroke is ±6.5mm.

*2 When feed screw XYZSCG A=80, F=23.5.

Performance

Part Number	Stage Surface (mm)	Load Capacity (N)	Travel Accuracy			Moment Load Capacity (N·m)			Moment Rigidity (1/N·cm)			Weight (kg)	Unit Price			
			Straightness	Pitching	Yawing	Pitching	Yawing	Rolling	Pitching	Yawing	Rolling		XYZSG	XYZSCG	XYZSGB	
XYZSG XYZSCG XYZSGB (*only)	25*	25x25	9.8	3µm	30"	25"	2.0	2.0	2.0	4.10	3.30	4.90	0.37			
	40*	40x40					5.0	5.0	5.0	0.98	0.91	1.05	0.78			
	50	50x50					6.0	6.0	6.0	0.38	0.37	0.39	1.00			
	60*	60x60					9.0	9.0	9.0	0.21	0.21	0.21	1.38			
	70	70x70					12.9	12.9	12.9	0.14	0.13	0.15	2.00			
	80*	80x80					17.7	17.7	17.7	0.10	0.10	0.10	3.00			

XYZSG and XYZSGB: Micrometer Head Resolution: 10µm/division

Knob Cover HDCVR13 (Sold Separately): Ø13 micrometer knob diameter can be increased by installing the cover. P2004

Extension Cover HDEXT13 (Sold Separately): Feed knob of Ø13 micrometer head and feed screw can be extended. P2004

Ordering Example **Part Number**
XYZSG40

Alterations **Part Number** - (C, CU, A, R)
XYZSG40 - C

Alterations	Position of Micrometer Head and Feed Screw			
	Side Up	Side Down	Center	Reversed
Spec.				
Code	C	CU	A	R

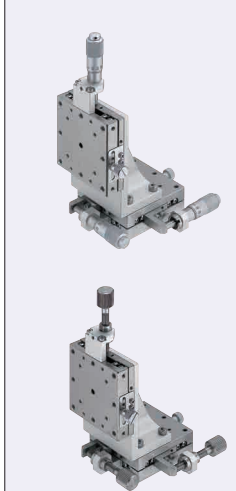
The micrometer heads may interfere depending on each axis stroke position. Please check and verify the usable stroke ranges with the CAD data.
*Not applicable to XYZSGB.

Mounting dimensions of micrometer head, feed screw and clamp are different from those of standard products. See the CAD data for details.

[High Precision] Linear Ball Low Profile

Features: XYZ-Axis Stages with low profile Linear Ball Slide XY-Axis.

XYZ-Axis **RoHS10**

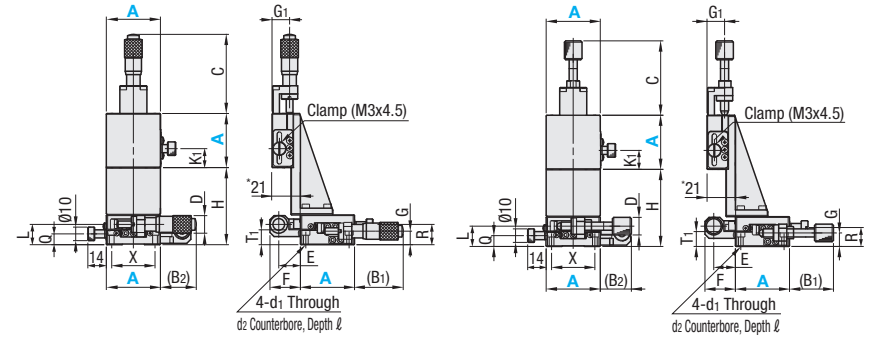


Micrometer Head

XYZSSG

Feed Screw (Pitch 0.5)

XYZSSCG



*When A=80, the bracket shape will be different. Therefore, the stage protrusion from the bracket will be 20.

Type	Main Body	Ball	Spring	Micrometer Head Bracket	Tip Holder						
Micrometer Head	Feed Screw	Material	Surface Treatment	Material	Hardness	Material	Surface Treatment	Material	Surface Treatment	Material	Surface Treatment
XYZSSG	XYZSSCG	SUS440C	Electroless Nickel Plating	SUS440C	58HRC~	SUS304WPB	A5052	Clear Anodize	SUS303	-	-
XYZSSG	-	SUS440C	Low Temp. Black Chrome Plating	SUS440C	58HRC~	SUS304WPB	A5052	Black Anodize	SUS303	Low Temp. Black Chrome Plating	-

For top surface mounting dimensions and feed bracket shapes, see Linear Ball Slide X-Axis Stages on P1921.

For Micrometer Head and Feed Screw materials, see P2005 and P2006.

Micrometer Head (XYZSSG), Feed Screw (XYZSSCG)

Part Number	Front View										Side View										Accessory (4 pcs.)			
	Type	A	H	K1	C		(B2)		Travel Distance (mm)	D	L	Q	X	R	G	G1	T1	E	F	(B1)		d1	d2	ℓ
XYZSSG XYZSSCG	40	57	14	58.5	55	26.5	23	±6.5	13	15	8	32	14	10	13	10.5	16	22.5	36	32.5	3.5	6	3.5	SCB3-10
	60	47	24	58.5	55	16.5	13	±6.5	13	15	8	50	14	10	13	10.5	16	22.5	20.3	16.8	4.5	8	4.5	SCB4-10
	80	46	25	96	55	32	-7 ¹	±12.5 ²	18 ²	17	9.5	70	16.5	15	16.5	12.5	23	32 ²	39	0	4.5	8	6.5	SCB4-10

*1. The end of feed screw (XYZSSCG) is at 7mm inside of the stage end face. *2 When feed screw XYZSSCG A=80, stroke=±6.5, D=13, F=30.

Performance

Part Number	Stage Surface (mm)	Load Capacity (N)	Travel Accuracy			Moment Load Capacity (N·m)			Moment Rigidity (1/N·cm)			Weight (kg)	Unit Price			
			Straightness	Pitching	Yawing	Pitching	Yawing	Rolling	Pitching	Yawing	Rolling		XYZSSG	XYZSSCG	XYZSGB	
XYZSSG XYZSSCG	40	40x40	49	3µm	40"	20"	4.5	5.0	4.5	1.15	0.89	1.27	0.66			
	60	60x60					9.0	8.1	9.0	0.29	0.24	0.28	1.22			
	80	80x80					16.4	15.9	16.4	0.13	0.08	0.12	2.52			

XYZSSG: Micrometer Head Resolution: 10µm/division

Knob Cover HDCVR13 (Sold Separately): Ø13 micrometer knob diameter can be increased by installing the cover. P2004

Extension Cover HDEXT13 (Sold Separately): Feed knob of Ø13 micrometer head and feed screw can be extended. P2004

Ordering Example **Part Number**
XYZSSG40

Alterations **Part Number** - (C, CU, A, R)
XYZSSG40 - C

Alterations	Position of Micrometer Head and Feed Screw			
	Side Up	Side Down	Center	Reversed
Spec.				
Code	C	CU	A	R

Mounting dimensions of micrometer head, feed screw and clamp are different from those of standard products. See the CAD data for details.