

# [Simplified Adjustments] Z-Axis, Heavy Load Adjustment Unit

# [Simplified Adjustments] Z-Axis, Rack & Pinion, Scaled Post Units

■Features: Large shaft diameter increases the load capacity.

## ■Z-Axis, Standard

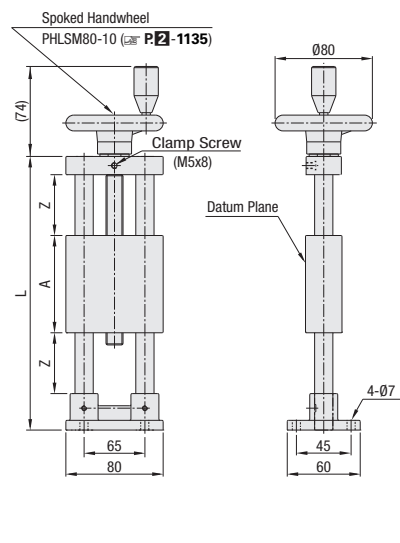


## ■Z-Axis, W/ Compact Position Indicator

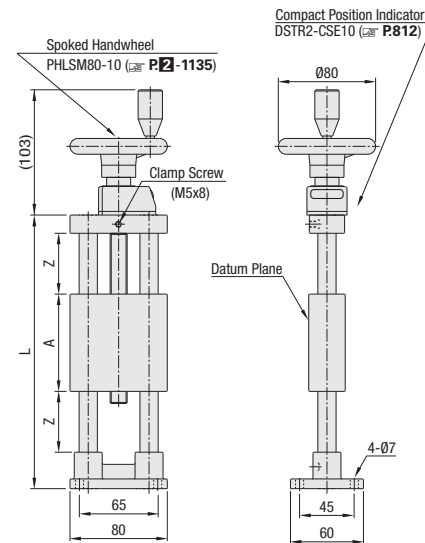


■X-Axis P.1927  
 ⚙️ Travel per Rotation: 2.0mm

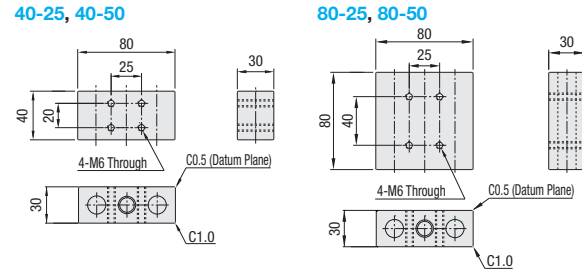
## ZKST (w/o Compact Position Indicator)



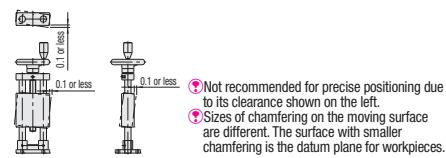
## ZKSTP (w/ Compact Position Indicator)



## •Stage Top Mounting Hole Dimensions



## ■Accuracy Standards



Type	Main Body	Shaft (Ø15)	Feed Screw (M4)	Stand Bracket	Accessory			
	Material	Surface Treatment	Material	Hardness	Material	Surface Treatment		
ZKST	Aluminum Alloy	Clear Anodize	SUS440C Equivalent	56HRC~	SUS303	AC7A	Clear Anodize	Mounting Screw (SC26-18 x 4 pcs.)
ZKSTP	Aluminum Alloy	Clear Anodize	SUS440C Equivalent	56HRC~	SUS303	AC7A	Clear Anodize	Mounting Screw (SC26-18 x 4 pcs.)

Part Number	Type	A-Z	L	Stage Surface (mm)	Travel Distance (mm) (Zx2)	Travel per Rotation (mm)	Load Capacity (N)	Weight (kg)		Unit Price	
								ZKST	ZKSTP	ZKST	ZKSTP
ZKST ZKSTP		40-25	135	40x80	50	2	49	1.01	1.07		
		40-50	185		100			1.20	1.26		
		80-25	175	80x80	50			1.32	1.38		
		80-50	225		100			1.51	1.57		

Ordering Example  
 Part Number  
 ZKST40-25  
 ZKSTP80-50

Alterations  
 Part Number - (R)  
 ZKSTP40-50 - R  
 ⚙️ Applicable to ZKSTP only.

Alterations	Compact Position, Indicator Direction
Spec.	
Code	R

■Features: Long stroke adjustment units developed for height adjustments during set-up changes that require long travels.

## ■Z-Axis

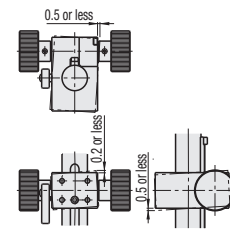
RoHS10



⚙️ Travel per Rotation: approx. 19mm

⚙️ Bracket is sold separately. Product matching the mounting configuration can be selected by referring to the details in the drawings.

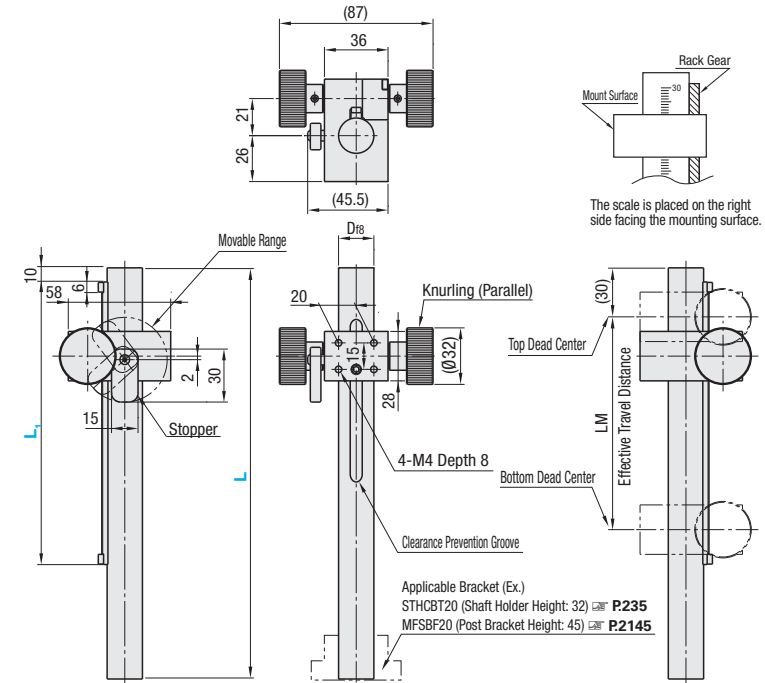
## ■Accuracy Standards



Type	Post	Block	Knob	Rack Gear	Pinion Gear	
	Material	Material	Surface Treatment	Material	Material	
ZKB	SUS304	Aluminum Alloy	Clear Anodize	Aluminum Alloy	S45C	S45C

## ZKB

⚙️ Scale graduation is expressed in centimeters.  
 ⚙️ Use the scale as a reference only.  
 ⚙️ Scale characters are printed by laser markings. The characters may fade if wiped using volatile solvents.



Part Number	Type	D18	L	L1	Travel Distance (LM) (mm)	Load Capacity (N)	Weight (kg)	Unit Price
ZKB		20	-0.020 -0.053		70	25	0.6	
					70		0.7	
					120		0.7	
					120		0.9	
				210	170		1.0	

⚙️ Travel per Rotation: Approx. 19mm

⚙️ For orders larger than indicated quantity, please request a quotation.

Ordering Example  
 Part Number - L - L1  
 ZKB20 - 300 - 210

Alterations  
 Part Number - L - L1 - (U, L)  
 ZKB20 - 300 - 210 - U30

Alterations	Change of Rack Gear Mounting Position	Change of Scale Placement Position
Spec.	 Lowers the rack gear placed at 10mm from the top end in 10mm increments. Applicable Size [L-L1] 200-110, 250-160 300-210 ⚙️ U≤40 Ordering Code U30	 Rack Gear Mount Surface Moves the scale position from the right side to the left side facing the mounting surface. Ordering Code L
Code	U	L

Example  
 Combination Example of Shaft Support Products

