

[High Precision] Z-Axis Dovetail Slide, Feed Screw

Extended Knob / Reinforced Clamp

Features: Effective when feed knobs are difficult to turn due to the carriage mounted objects interfere, or when the knobs are hard to reach since the stage is deeply embedded inside a machine.

Z-Axis, Extended Knob
(Lead 0.5mm)



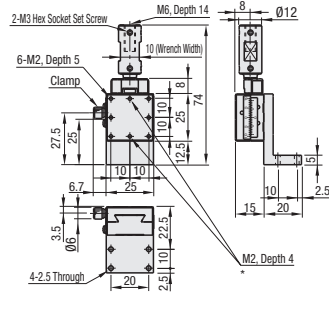
RoHS 10

X-Axis P.1898
XY-Axis P.1934

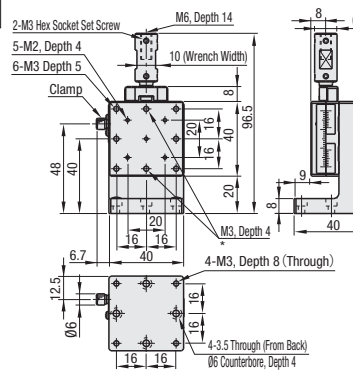
Tips: Knob Extension Method

Knob length and diameter can be increased by utilizing the M6, Depth 14 tapped hole.
(Ex.) Seven Lobed Knob (P.1171) NKSM6-30 can be mounted to extend the knob by 36mm.
Use adhesive to prevent the knob extension from pulling off.

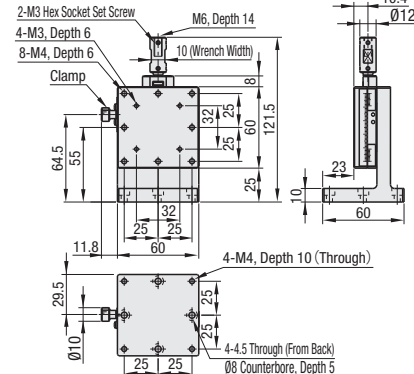
ZEGL25



ZEGL40



ZEGL60



Material: (Main Body) Low Cadmium Brass **S** Surface Treatment: Black Fluororesin Treatment
(Feed Knob) Low Cadmium Brass

* The depth will be short due to the stage shape.

Part Number Type	No.	Stage Surface (mm)	Travel Distance (mm)	Travel per Rotation (mm)	Load Capacity (N)	Travel Accuracy Straightness (µm)	Moment Load Capacity (N · m)			Weight (kg)	Accessory (4 pcs.) Type M-L	Unit Price
							Pitching	Yawing	Rolling			
ZEGL	25	25x25	±5	0.5	9.8	30	2.0	1.5	1.5	0.12	SCB2-8	
	40	40x40	±7		9.8		4.0	3.0	3.0	0.27	SCB3-8	
	60	60x60	±9		19.6		5.0	4.0	4.0	0.71	SCB4-10	

Resolution (Vernier Scale Indication): 0.1mm/division

Extension Cover HDEXT12 (Sold Separately): Ø12 feed screw knob can be extended. P.2004

XY-Axis Mounting Plate XPLTE: Use this plate when connecting stages with non-matching mounting holes. P.1915

Ordering Example Part Number ZEGL60



Alterations

Part Number - (R) ZEGL60 - R

Alteration Clamp Position Change (Right / Left Reversed)

Spec.	Code
	R

[Simplified Adjustments] Z-Axis, Feed Screw

For Set-Up Changes, For First Time Installment

Features: Z-axis unit that can support a load. Suitable for camera and dispenser setup changes, with little backlash and a scale.

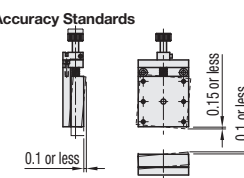
Z-Axis, For Set-Up Changes

RoHS 10

Accuracy Standards

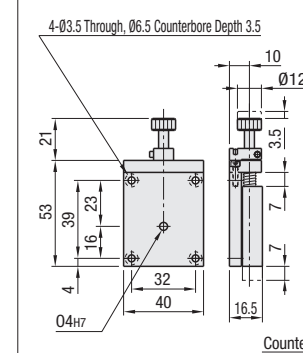


Travel per Rotation: 1.5mm

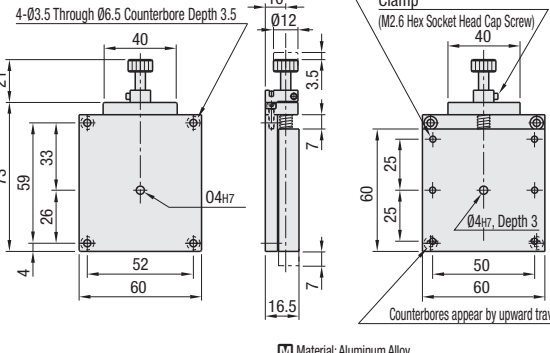


Not recommended for precise positioning due to its clearance shown on the left.

XKDSP40



XKDSP60



Material: Aluminum Alloy **S** Surface Treatment: Black Anodize
A Accessory: Hex Socket Head Cap Screw CB3-10, 4 pcs.

Part Number Type	No.	Stage Surface (mm)	Travel Distance (mm)	Load Capacity (N)	Weight (kg)	Unit Price	Ordering Example	Part Number
								XKDSP60
XKDSP	40	40x40	±6	19.6	0.10			
	60	60x60	±6	39.2	0.19			

Travel per Rotation: 1.5mm Minimum Graduation: 0.5mm

The allowable loads are for using in Z-Axis configuration (in the orientation shown in the photo).

Features: Z-axis unit that can support a load. The nylon coated nut used has little backlash. Suitable for infrequently adjusted axis such as on cameras, etc.

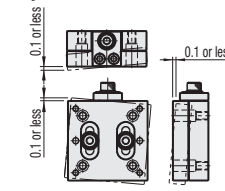
Z-Axis, For First Time Installment

RoHS 10

Accuracy Standards

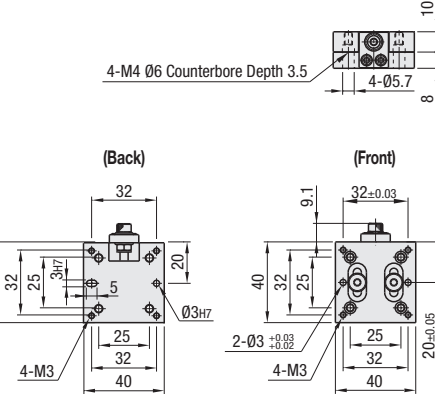


Photo: Front Side
Travel per Rotation 0.7mm

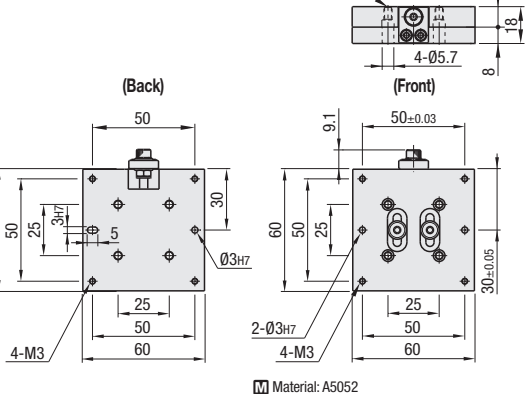


Not recommended for precise positioning due to its clearance shown on the left.
Values are obtained before shipping.

XKEMA40



XKEMA60



Material: A5052 **S** Surface Treatment: Black Anodize
A Accessory: Dowel Pin MS3-10, 2pcs.
Hex Socket Head Cap Screw CB3-10, 4 pcs.

Part Number Type	No.	Stage Surface (mm)	Travel Distance (mm)	Load Capacity (N)	Weight (g)	Unit Price	Ordering Example	Part Number
								XKEMA40
XKEMA	40	40x40	±3	49	70			
	60	60x60	±5	98	160			

The allowable loads are for using in Z-Axis configuration (in the orientation shown in the photo).

Features: Z-Axis stage feed knob shaft is directly clamped with a split clamp for improved position holding performance.

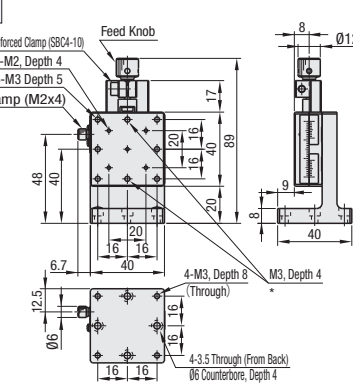
Z Axis, Reinforced Clamp
(Lead 0.5mm)



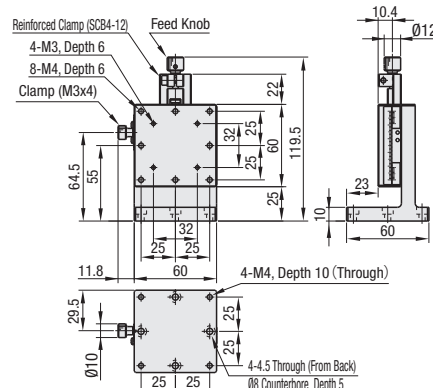
RoHS 10

X-Axis P.1898
XY-Axis P.1934

ZEGCL40



ZEGCL60



Material: (Main Body) Low Cadmium Brass **S** Surface Treatment: Black Fluororesin Treatment
(Feed Knob) Aluminum

* The depth will be short due to the stage shape.

Part Number Type	No.	Stage Surface (mm)	Travel Distance (mm)	Travel per Rotation (mm)	Load Capacity (N)	Travel Accuracy Straightness (µm)	Moment Load Capacity (N · m)			Weight (kg)	Accessory (4 pcs.) Type M-L	Unit Price
							Pitching	Yawing	Rolling			
ZEGCL	25	25x25	±5	0.5	9.8	30	2.0	1.5	1.5	0.10	SCB2-8	
	40	40x40	±7		9.8		4.0	3.0	3.0	0.27	SCB3-8	
	60	60x60	±9		19.6		5.0	4.0	4.0	0.71	SCB4-10	

Resolution (Vernier Scale Indication): 0.1mm/division

Extension Cover HDEXT12 (Sold Separately): Ø12 feed screw knob can be extended. P.2004

XY-Axis Mounting Plate XPLTE: Use this plate when connecting stages with non-matching mounting holes. P.1915

There will be residual clearances with carriage retaining only with a Reinforced Clamp. Use a Clamp Screw in combination.

Ordering Example Part Number ZEGCL40



Alterations

Part Number - (R) ZEGCL60 - R

Alteration Clamp Position Change (Right / Left Reversed)

Spec.	Code
	R