


Points on Similar Product Comparison | Travel Accuracy Straightness 50µm

Similar Product Pages P.1962

Features: Z-Axis Stages with fine feeding of 0.5mm lead.

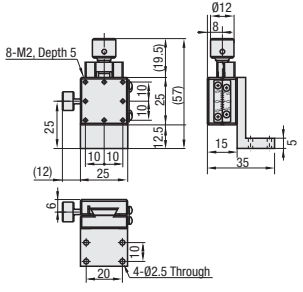
Z-Axis



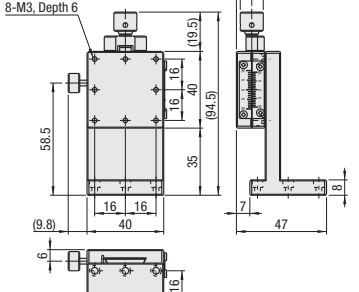
X-Axis P.1896
XY-Axis P.1931

RoHS10

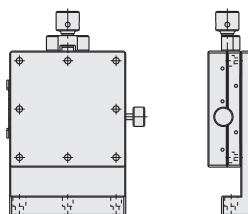
ZFES25
(Standard)



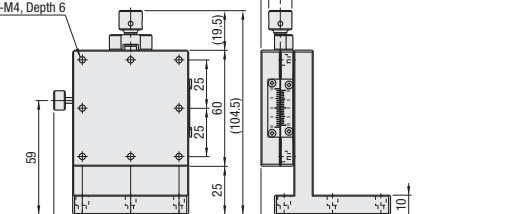
ZFES40
(Standard)



Clamp Position Change
ZFES R
(Reversed)



ZFES60
(Standard)



Material: Aluminum Alloy
Surface Treatment: Black Anodize

See the CAD data for details.

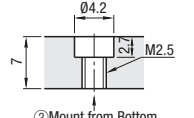
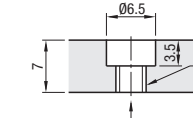
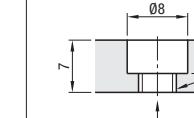
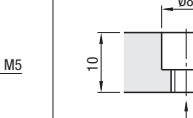
Z-Axis Stages High Precision Stage Existing Product: ZEG (P.1962)

Type	Part Number	No.	Clamp Position	Stage Surface (mm)	Travel Distance (mm)	Travel per Rotation (mm)	Load Capacity (N)	Travel Accuracy Straightness	Weight (kg)	Unit Price
ZFES		25	No Symbol (Standard)	25x25	±5	0.5	9.8	50µm	0.06	
		40	R (Right/Left Reversed)	40x40	±7				0.18	
		60		60x60	±8				0.40	

Resolution (Vernier Scale Indication): 0.1mm/division
 Extension Cover HDEXT12-□ (sold separately): Ø12 knobs can be extended by installing the cover. P.2004
 (Caution) Please note that increased knob diameter may interfere with the stage mounting base surfaces.


Ordering Example Part Number
ZFES40

Tips: Mounting Hole on the Bottom of the Table of XFES, XYFES and ZFES60
 Can be mounted from the top and the bottom.

Mounting Hole Enlarged View	□25 (XFES/XYFES)	□40 (XFES/XYFES)	□60 (XFES/XYFES)	ZFES60
	 ① Mount from Top ② Mount from Bottom	 ① Mount from Top ② Mount from Bottom	 ① Mount from Top ② Mount from Bottom	 ① Mount from Top ② Mount from Bottom
Mounting Screw Dia.	① M2 ② M2.5	① M3 ② M4	① M4 ② M5	① M4 ② M5

Features: Dovetail Slide is applied as a guide mechanism to realize smooth operation.

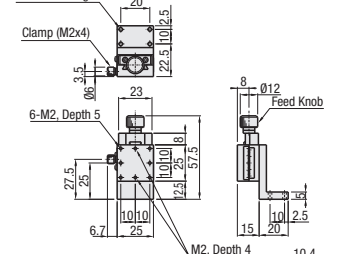
Z-Axis
(Lead 0.5mm)



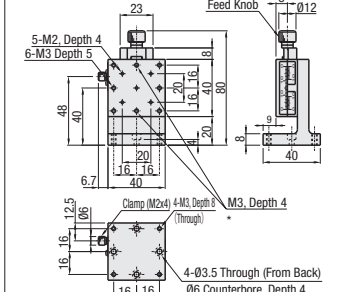
X-Axis P.1897
XY-Axis P.1933

RoHS10

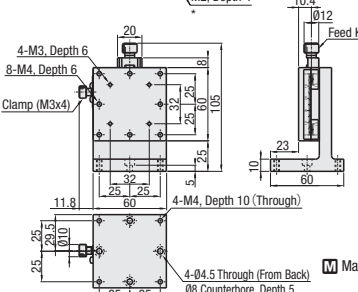
ZEG25



ZEG40



ZEG60



Material: (Main Body) Low Cadmium Brass (Feed Knob) Aluminum
Surface Treatment: Black Fluororesin Treatment

Standard Stages Similar Products: ZFES (P.1961)

Part Number	Type	No.	Stage Surface (mm)	Travel Distance (mm)	Travel per Rotation (mm)	Load Capacity (N)	Straightness	Weight (kg)	Accessory (4 pcs.) Type M-L	Unit Price
ZEG		25	25x25	±5	0.5	9.8	30µm	0.09	SCB2-8	
		40	40x40	±7				0.26	SCB3-8	
		60	60x60	±9				0.75	SCB4-10	

Resolution (Vernier Scale Indication): 0.1mm/division

Ordering Example Part Number
ZEG25


Alterations Part Number - (R)
ZEG25 - R

Alteration	Spec.	Code
Clamp Position (Left/Right Reversed)		R

See the CAD data for details.

Features: Hex wrench feed drives prevent inadvertent position changes.

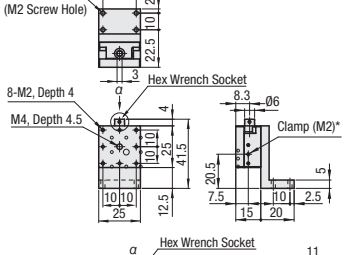
Z-Axis, Hex Wrench Drive
(Lead 0.5mm)



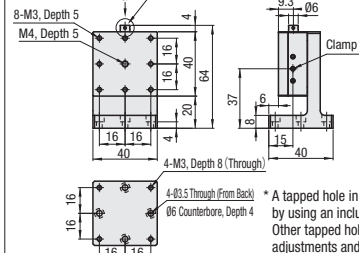
X-Axis P.1897
XY-Axis P.1933

RoHS10

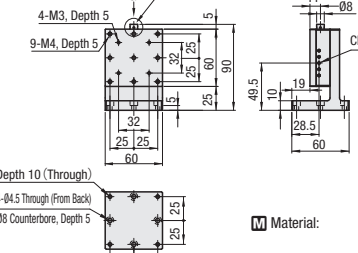
ZEEG25



ZEEG40



ZEEG60



Material: (Main Body) Low Cadmium Brass (Hex Wrench Socket) Aluminum
Surface Treatment: Black Fluororesin Treatment

Resolution (Vernier Scale Indication): 0.1mm/division (ZEEG has no vernier scale.)

Part Number	Type	No.	Stage Surface (mm)	Travel Distance (mm)	Travel per Rotation (mm)	Load Capacity (N)	Straightness	Weight (kg)	Accessory (4 pcs.) Type M-L	Unit Price
ZEEG		25	25x25	±3	0.5	9.8	20µm	0.08	SCB2-8	
		40	40x40	±5				0.29	SCB3-8	
		60	60x60	±7				0.67	SCB4-10	

Ordering Example Part Number
ZEEG60