

[Simplified Adjustments] XY-Axis, Feed Screw, Large Lead (3.0mm)

Standard/Large Handle Selectable

MISUMI C-VALUE [Standard] XY-Axis Cross Roller / XY-Axis Linear Ball Slide

Features: 3.0mm lead feed screw stages are combined into XY arrangement. Convenient when rapid feeding characteristic is desired.

XY-Axis

X-Axis P.1912 Travel per Rotation: 3.0mm

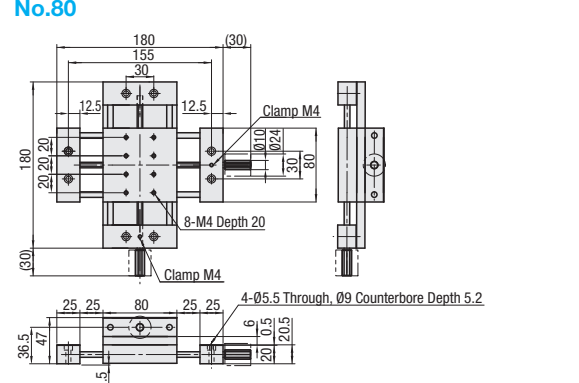
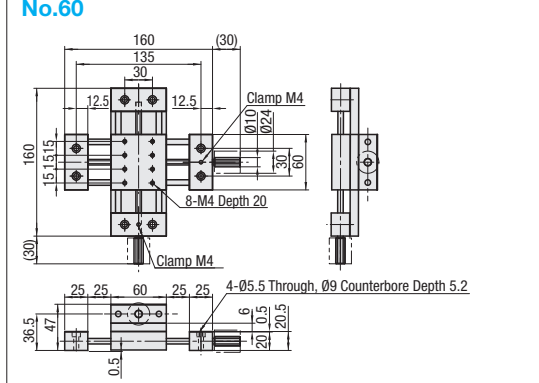
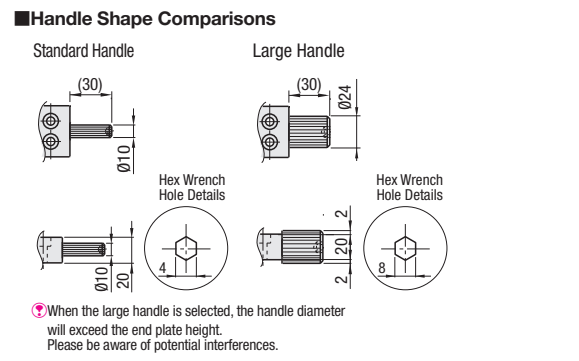
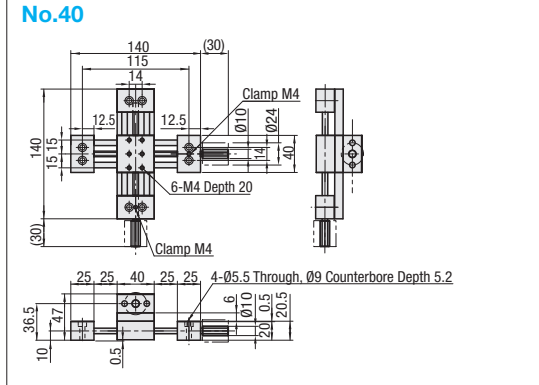
Accuracy Standards

Not recommended for precise positioning due to its clearance shown on the left. Values are for single-axis configuration.

One Point

Long stroke moves can be made easily with use of a ball-point hex wrench.

Type		Main Body		Shaft	Knob	Feed Screw	Accessory
Standard Handle	Large Handle	Material	Surface Treatment	Material	Material	Material	
XYKS	XYKSL	Aluminum Alloy	Black Anodize	SUS304	SUS303	SUS304	SCB5-20, 4 pcs.



Do not force the handle to turn past the end of the travel limits as it may cause the handle to come loose.

Part Number	Type	No.	Large Handle	Stage Surface (mm)	Travel Distance (mm)	Load Capacity (N)	Weight (kg)	Unit Price		
								XYKS	XYKSL	XYKSL
(Standard Handle)	XYKS	40	L	40x40	±25	62.7	0.66			
(Large Handle Selection)	XYKSL	60	A	60x60	±25	62.7	1.17			
	XYKSL	80	B	80x80	±25	56.8	1.64			

Travel per Rotation: 3.0mm

Alterations **Part Number** - (MMR, CLC)
 XYKSL40A - MMR

Alterations	Mounting of a Scaled Plate on the Stage	Change of Clamp (Knurled Knob)																								
Spec.	<p>Scaled Plate will be mounted.</p> <p>Minimum Graduation: 0.5mm</p> <p>Included screws are changed as shown on the below right.</p> <p>MMR alteration will change the mounting hole pitch since a plate is attached to the stage.</p> <table border="1"> <thead> <tr> <th>No.</th> <th>P1</th> <th>P2</th> <th>d1</th> <th>d2</th> <th>ℓ</th> </tr> </thead> <tbody> <tr> <td>40</td> <td>65</td> <td>14</td> <td>4.5</td> <td>7.5</td> <td>3</td> </tr> <tr> <td>60</td> <td>85</td> <td>30</td> <td>4.5</td> <td>7.5</td> <td>3</td> </tr> <tr> <td>80</td> <td>105</td> <td>30</td> <td>4.5</td> <td>7.5</td> <td>3</td> </tr> </tbody> </table> <p>Accessory (4 pcs.) No.40: CBSST4-8 No.60: CBSST4-8 No.80: CBSST4-8</p>	No.	P1	P2	d1	d2	ℓ	40	65	14	4.5	7.5	3	60	85	30	4.5	7.5	3	80	105	30	4.5	7.5	3	<p>Changes Clamp Screw to Knurled Knob.</p> <p>Changes are for both X and Y axes.</p>
No.	P1	P2	d1	d2	ℓ																					
40	65	14	4.5	7.5	3																					
60	85	30	4.5	7.5	3																					
80	105	30	4.5	7.5	3																					
Code	MMR	CLC																								

Similar Product Pages P.1943, P.1946

Points on Similar Product Comparison | Travel Accuracy Straightness: 30µm, Parallelism: 60µm

Features: Economical stages with a micrometer head capable of 0.01mm resolution adjustments.

XY-Axis Cross Roller

XYCRS

X-Axis P.1917 Z-Axis P.1967 RoHS 10

High Precision Stage Existing Product: XYPG (P.1943)
 For Mounting Hole Dimensions of the Top Table, see P.1917.

25 Type has different feed bracket configuration.

A120 micrometer tip shape is different

Material: Aluminum Alloy
 Surface Treatment: Black Anodize

Part Number	Top View						Front View						Side View					
	A	B	Travel Distance (mm)	E	F	J	D	G	H	L	T	P	Q	X	d1	d2	ℓ	
XYCRS	25	29	±3.2	7	11.8	(6.8)	9.5	9.3	24.3	24.3	30	6	10.5	20	2.4	4.2	2.5	
	40	26		8	19	(10.8)	13	13	34.5	33	40	10	14.5	32	3.4	6	3.3	
	50	23		8	19	(10.8)	13	13	34.5	33	40	10	14.5	40	3.4	6	3.5	
	60	21	±6.5	8	19	(10.8)	13	13	34.5	33	40	10	14.5	50	4.5	8	4.4	
	80	22		8	19	(10.8)	13	13	34.5	33	40	10	14.5	70	4.5	8	4.4	
	90	34.8		8	19	(10.8)	13	13	34.5	33	40	10	14.5	80	4.5	8	5.3	
	100	20.8	±12.5	8	19	(10.8)	13	13	34.5	33	40	10	14.5	90	4.5	8	5.3	
	120	88	±25	13.5	26	(10.8)	19.1	11	34.5	31	40	10	14.5	100	4.5	8	5.3	

Performance

A	Stage Surface (mm)	Load Capacity (N)	Travel Accuracy		Moment Load Capacity (N·m)			Moment Rigidity (1/N·cm)			Parallelism	Weight (kg)	Unit Price
			Straightness	Motion Parallelism	Pitching	Yawing	Rolling	Pitching	Yawing	Rolling			
25	25x25	9.8	30µm	60µm	0.4	0.8	0.4	4.83	5.70	4.83	100µm	0.09	
40	40x40	17.6			2.0	2.2	2.0	0.66	0.84	0.66			
50	50x50	28			3.4	3	3.4	0.35	0.4	0.35			
60	60x60	44.1			5.2	4.3	5.2	0.19	0.22	0.19	120µm	0.48	
80	80x80	93.1			17.3	15.1	17.3	0.09	0.10	0.09			
90	90x90	110			22.0	20.0	22.0	0.09	0.10	0.09			
100	100x100	140			33.0	30.0	33.0	0.11	0.14	0.11	1.00		
120	120x120	180			57.2	44.7	57.2	0.04	0.04	0.04			

Ordering Example **Part Number**
 XYCRS60

Points on Similar Product Comparison | Travel Accuracy (Straightness) 10µm

XY-Axis, Linear Ball Slide

XYLBS40 (Standard)

X-Axis P.1920 Z-Axis P.1965 RoHS 10

XYLBS-CR (Reversed)

XYLBS60 (Standard)

Material: SUS440C
 Surface Treatment: Electroless Nickel Plating

High Precision Stage Existing Product: XYSG (P.1946)

Part Number	Type	No.	Micrometer Head Pos.	Stage Surface (mm)	Travel Distance (mm)	Load Capacity (N)	Minimum Graduation (µm)	Travel Accuracy			Moment Rigidity (1/N·cm)			Parallelism (µm)	Weight (kg)	Included Screw (SUS Hex Socket Low Head Cap Screw)	Unit Price
								Straightness	Pitching	Yawing	Pitching	Yawing	Rolling				
XYLBS	40	No Symbol	Standard	40x40		95.6	10	10µm	30"	25"	0.59	0.7	0.59	60	0.48	M3-8, 4 pcs.	
	60	CR	Right/Left Reversed	60x60	±6.5	191.6			35"	30"	0.15	0.16	0.15		0.88	M4-8, 4 pcs.	

Ordering Example **Part Number**
 XYLBS40