

# [Simplified Adjustments] XY-Axis, Push Screw

■Features: Economical unit suitable for applications not requiring high accuracies. The springs used keep backlash low.

■XY-Axis



CL Alteration RoHS10

④ X-Axis P1893  
⑤ Z-Axis P1951

⚠ Travel per Rotation: 0.5mm

■How to Mount

- Remove the Push Screw.
- Screw down the A side.
- Move the table manually to the A side.
- Screw down the B side.
- Re-install the Push Screw.

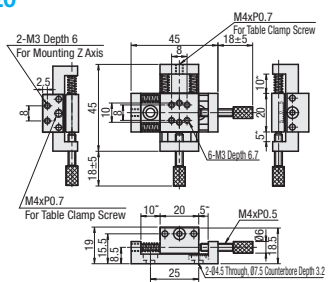


Accuracy Standards

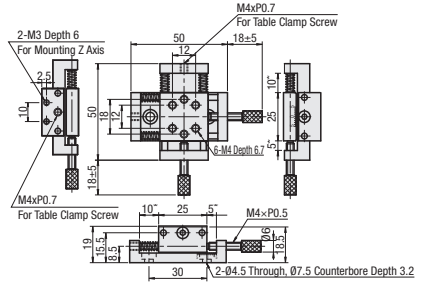
⚠ Not recommended for precise positioning due to its clearance shown on the right. Values are for single-axis configuration.

Type	Main Body		Shaft	Spring	Push Screw		Accessory
	Material	Surface Treatment	Material	Material	Material	Surface Treatment	
XYKNG	Aluminum Alloy	Black Anodize	SUS303	SUS304	S45C	Electroless Nickel Plating	No. 20, 25: CBS4-6, 2 pcs. No. 40, 60: CBS5-8, 4 pcs.

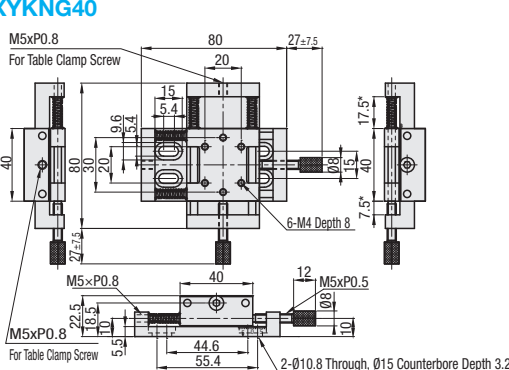
**XYKNG20**



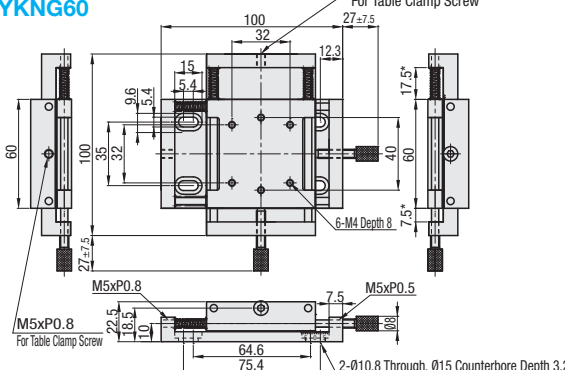
**XYKNG25**



**XYKNG40**



**XYKNG60**



\* Dimensions are for "Scale aligned at 0 mark".

Part Number	Stage Surface	Travel Distance	Load Capacity	Weight	Unit Price
XYKNG 20	20x20	±5	9.8	0.04	
XYKNG 25	25x25	±5	9.8	0.06	
XYKNG 40	40x40	±7.5	14.7	0.20	
XYKNG 60	60x60	±7.5	14.7	0.36	

⚠ Travel per Rotation: 0.5mm ⚠ Minimum Graduation: 0.5mm

Alterations Part Number - (CL)  
XYKNG20 - CL

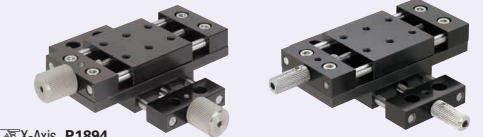
Alteration	Opposite Clamp Bolt
Spec.	Opposing clamp screws for table immobilizing (No. 20, 25: M4, Pitch 0.7, L=30mm; No. 40, 60: M5, Pitch 0.8, L=44mm) are included. Mounted as shown in the photo.
Code	CL

# [Simplified Adjustments] XY-Axis, Feed Screw

## Standard/Large Handles

■Features: Feed screw units are combined into XY arrangements. Operability improving large handles are available.

■XY-Axis

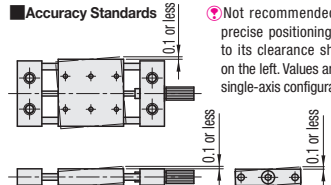


RoHS10

④ X-Axis P1894  
⑤ Z-Axis P1952

⚠ Travel per Rotation 0.7mm

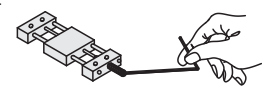
■Accuracy Standards



⚠ Not recommended for precise positioning due to its clearance shown on the left. Values are for single-axis configuration.

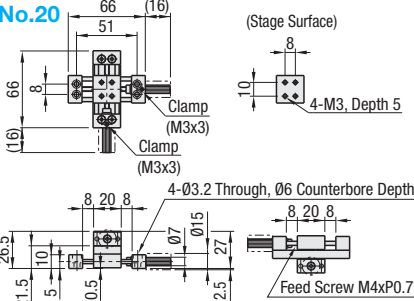
⚠ One Point

Long stroke moves can be made easily with use of a ball-point hex wrench.

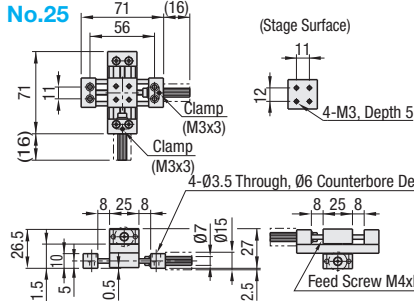


Type	Main Body		Shaft	Knob	Feed Screw	Accessory
	Material	Surface Treatment	Material	Material	Material	
XYKNEJ	Aluminum Alloy	Black Anodize	SUS304	SUS303	SUS304	No. 20: CBSST3-12, 4 pcs. No. 25: SCB3-10, 4 pcs. No. 40, 60: SCB4-10, 4 pcs.

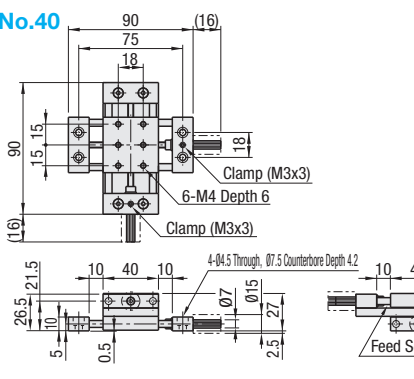
**No.20**



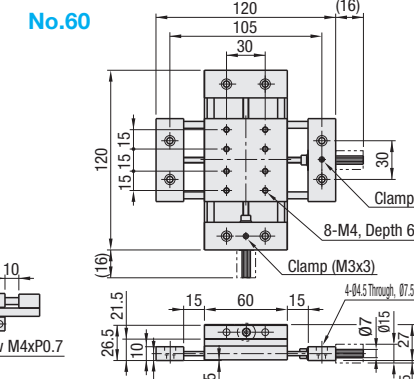
**No.25**



**No.40**



**No.60**



⚠ Do not force the handle to turn past the end of the travel limits as it may cause the handle to come loose.

Type	Part Number		Stage Surface (mm)	Travel Distance (mm)	Load Capacity (N)	Weight (kg)	Unit Price		
	Standard Handle	Large Handle					XYKNEJ	XYKJL	XYKJL
(Standard Handle) XYKNEJ (Large Handle Selection) XYKJL	20	(Large Handle Top & Bottom)	20x20	±7	18.6	0.10			
	25	(Large Handle Top only)	25x25						
	40	(Large Handle Bottom only)	40x40						
	60	(Large Handle Bottom only)	60x60						

⚠ Travel per Rotation: 0.7mm

Ordering Example Part Number  
XYKNEJ40  
XYKJL60L

Alterations Part Number - (MMR) - (CLC)  
XYKNEJ20 - MMR  
XYKJL40A - CLC  
XYKNEJ60 - MMR - CLC

Alteration	Mounting of a Scaled Plate on the Stage	Change of Clamp (Knurled Knob)
Spec.	Mounts a scaled plate on the stage. ⚠ Minimum Graduation: 0.5mm Included screws are changed as shown on the below right.	Changes Clamp Screw to Knurled Knob. Changes are for both X and Y axes.
Code	MMR	CLC

No.	P1	P2	d1	d2	ℓ
20	26	8	2.5	4.3	4
25	31	11	3.5	6.0	3.5
40	50	18	4.5	7.5	3
60	75	30	4.5	7.5	3

Accessory (4 pcs.)  
No. 20: SCB2-5  
No. 25: SCB3-6  
No. 40: CBSST4-8  
No. 60: CBSST4-8