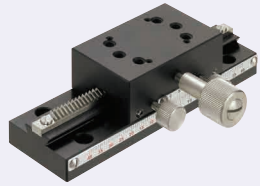


Points on Similar Product Comparison | Travel Accuracy Straightness 50~60µm

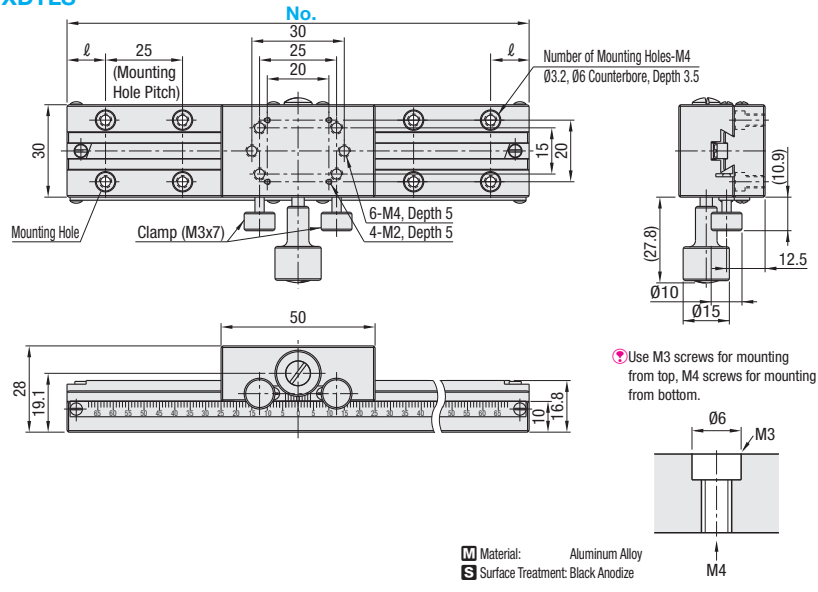
Similar Product Pages P.1908, 1956

Features: Economically priced long stroke Rack & Pinion stages.

### X-Axis, Long



### XDTLS



Z-Axis P.1955

RoHS10

Material: Aluminum Alloy  
Surface Treatment: Black Anodize

X-Axis Stages High Precision Stage Existing Product: XLWG (P.1908)

Part Number Type	No.	Stage Surface (mm)	Travel Distance (mm)	Travel per Rotation (mm)	Number of Mounting Holes (Qty)	ℓ	Load Capacity (N)		Travel Accuracy Straightness	Weight (kg)	Unit Price
							Horizontal	Vertical			
XDTLS	80	30x50	±30	16.7	6	15	29.4	14.7	50µm	0.15	
	100		±40		8						
	150		±65		12						
	200		±90		16						

Resolution (Vernier Scale Indication): 0.1mm/division

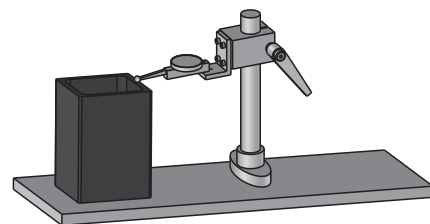
For orders larger than indicated quantity, please request a quotation.

Knob Cover HDCVR15 (Sold Separately): Ø15 knobs can be increased in diameter by installing the cover. P.2004

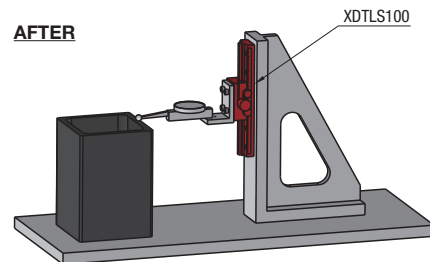
Ordering Example Part Number XDTLS100

### Example Parallelism Inspection Unit

BEFORE



AFTER



Increased Adjustment Accuracy: Fine adjustment of the dial indicator tip can be achieved quantitatively, not with experience.  
Improved Safety: Installing a dial indicator onto the stage prevents from falling.

Features: Long stroke stages made of lightweight aluminum alloy. Select a size based on strokes needed. For stages with ±140mm stroke, see XLONG on P.1909.

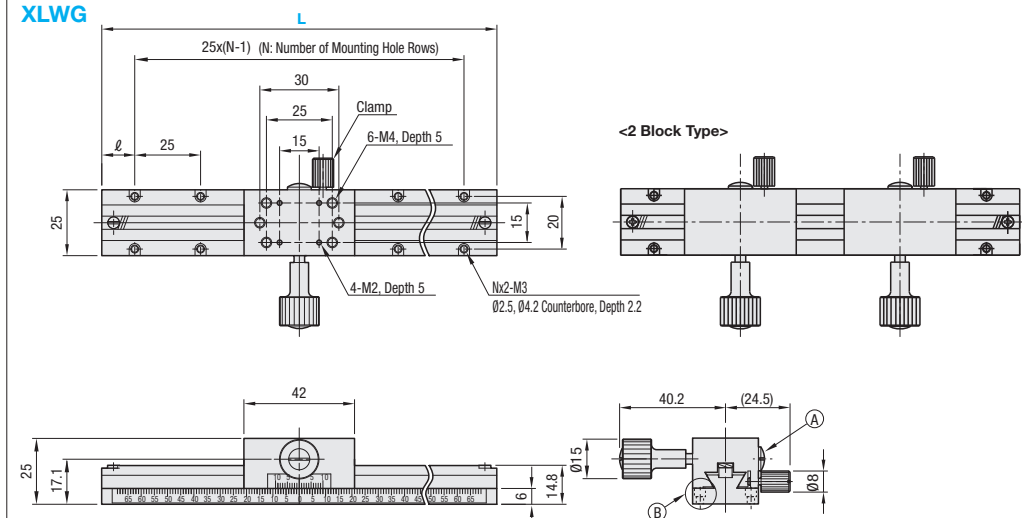
### X-Axis, Long



Z-Axis P.1956

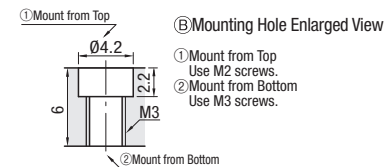
Use Adjustable Plates for XY-Axis Stages (XYPLT) to combine the Long Stroke Stages together. P.1915

### XLWG



The scale in the above figure is for L150, and not for L50, L70, L100 or L200.

By turning the preload adjustment screw (A) clockwise with a flathead screwdriver, the stage slides slowly, and by turning counterclockwise the stage slides quickly and smoothly.



Standard Stages Similar Products (available for limited sizes only): XDTLS (P.1907)

Part Number Type	No.	L	Number of Blocks	Travel Distance (mm)	Travel per Rotation (mm)	N: Number of Mounting Hole Rows	Number of Mounting Holes (M4)	ℓ (mm)	Load Capacity (N)		Travel Accuracy (µm)		Weight (kg)	Unit Price
									Horizontal	Vertical	Straightness	Parallelism		
XLWG	50	50	1	±15	18	2	4	12.5	29.4	14.7	30	30	0.10	
	70	70	1	±25		3	6	10.0						
	100	100	1	±40		4	8							
	150-2	150	1	±65		6	12	12.5						
	200		2											
	200-2	200	2	±90		8	16							

Resolution (Vernier Scale Indication): 0.1mm/division

XLWG150-2 and 200-2 have two blocks. Please note that the stroke distances will be shorter than the one block versions.

For orders larger than indicated quantity, please request a quotation.

Knob Cover HDCVR15 (Sold Separately): Ø15 knobs can be increased in diameter by installing the cover. P.2004

Adjustable Plate XPLT40: Use this plate when connecting stages with non-matching mounting holes. P.1915

Ordering Example Part Number XLWG100