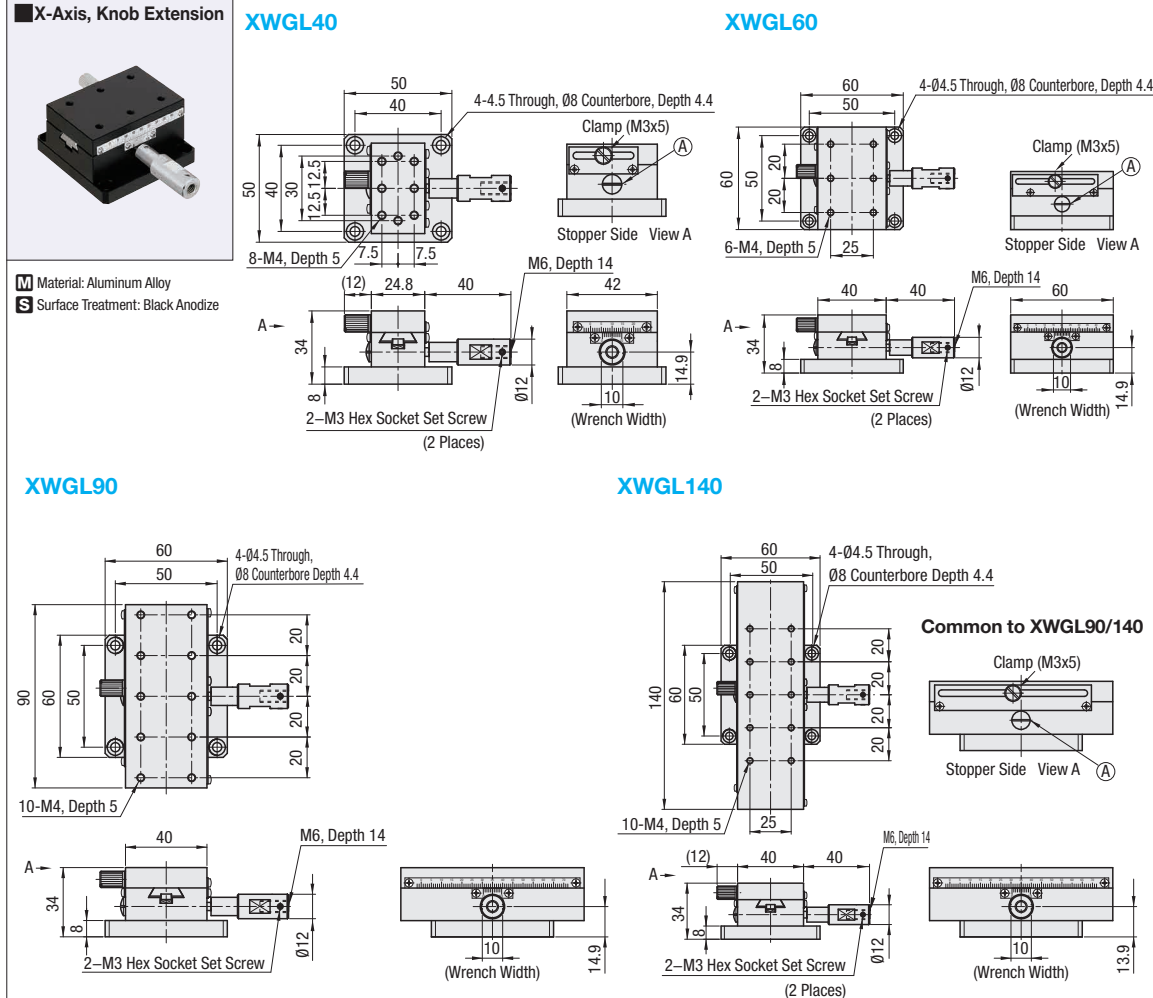


[High Precision] X-Axis Dovetail Slide, Rack & Pinion Extended Knob

■ **Features:** Effective when feed knobs are difficult to turn due to the carriage mounted objects interfere, or when the knobs are hard to reach since the stage is deeply embedded inside a machine. Other types of knobs are also installable.



App. Example
 (Example of Knob Extension ①) (Example of Knob Extension ②)

■ **Tips: Knob Extension Method**
 Use the M6-Depth 14 tapped hole on the knob.
 Knob length and diameter can be increased for large objects and plates placed on the carriage.
 (Ex. ①) Seven Lobed knob (P. ②-1171) NKSM6-30 can be mounted to further lengthen the knob by 36mm.
 (Ex. ②) Length Specified Hex Socket Cap Screw (P. ②-205) FWBB6-70-E14-F6 and Clamp Knob (P. ②-1165) KNB6-24 can be combined to extend the knob further by 63mm.

* Use adhesive to prevent the knob extension from pulling off.

* By turning the preload adjustment screw (A) clockwise with a flathead screwdriver, the stage slides slowly, and by turning counterclockwise the stage slides quickly and smoothly.

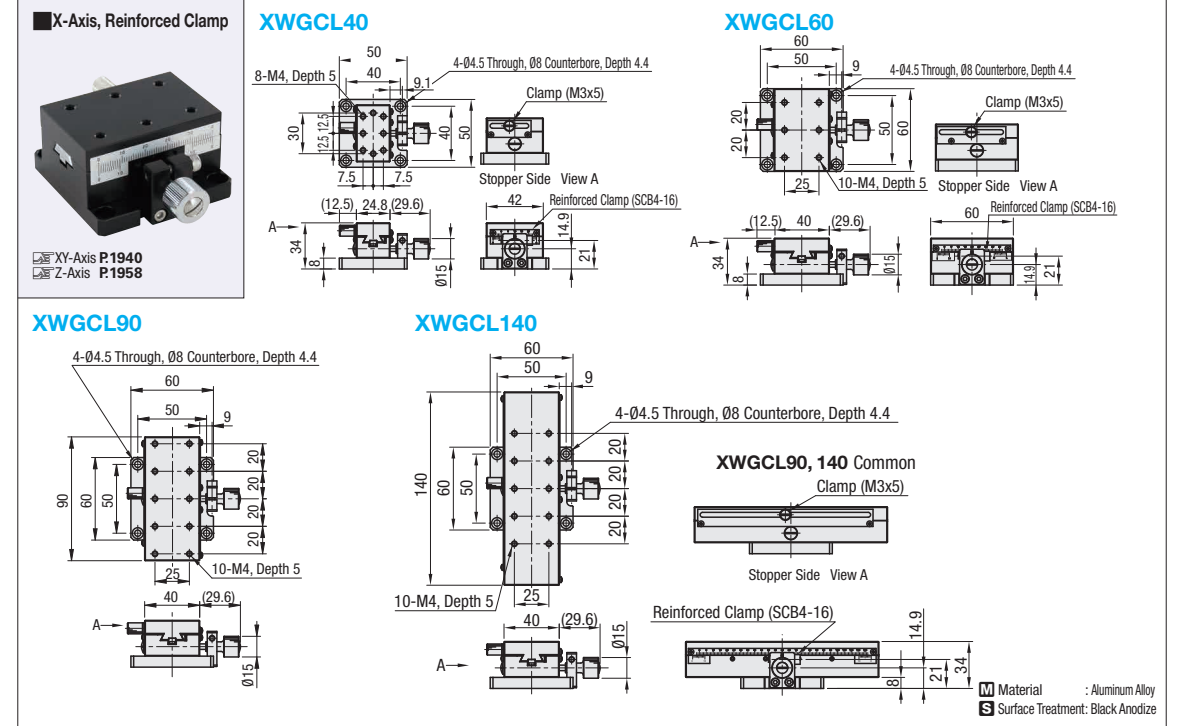
Part Number	Type	No.	Stage Surface (mm)	Travel Distance (mm)	Travel per Rotation (mm)	Load Capacity (N)		Travel Accuracy		Weight (kg)	Unit Price
						Horizontal	Vertical	Straightness	Parallelism		
XWGL		40	24.8x42	±12	18	29.4	14.7	20µm	30µm	0.17	
		60	40x60	±21		39.2	19.6	30µm	30µm	0.29	
		90	40x90	±35						0.40	
		140	40x140	±60						0.56	

⚙️ Resolution (Vernier Scale Indication): 0.1mm/division

📄 Ordering Example
 Part Number
XWGL40

[High Precision] X-Axis Dovetail Slide, Rack & Pinion Rectangular, Reinforced Clamp / Coarse/Fine Feeds

■ **Features:** Feed knob shaft is directly clamped for improved position holding performance compared to the rectangular type XWG (P.1904)



Part Number	Type	Stage Surface (mm)	Travel Distance (mm)	Travel per Rotation (mm)	Load Capacity (N)		Travel Accuracy		Weight (kg)	Unit Price
					Horizontal	Vertical	Straightness	Parallelism		
XWGCL		40	24.8x42	±12	18	29.4	14.7	20µm	30µm	0.17
		60	40x60	±21		39.2	19.6	30µm	30µm	0.29
		90	40x90	±35						0.40
		140	40x140	±60						0.56

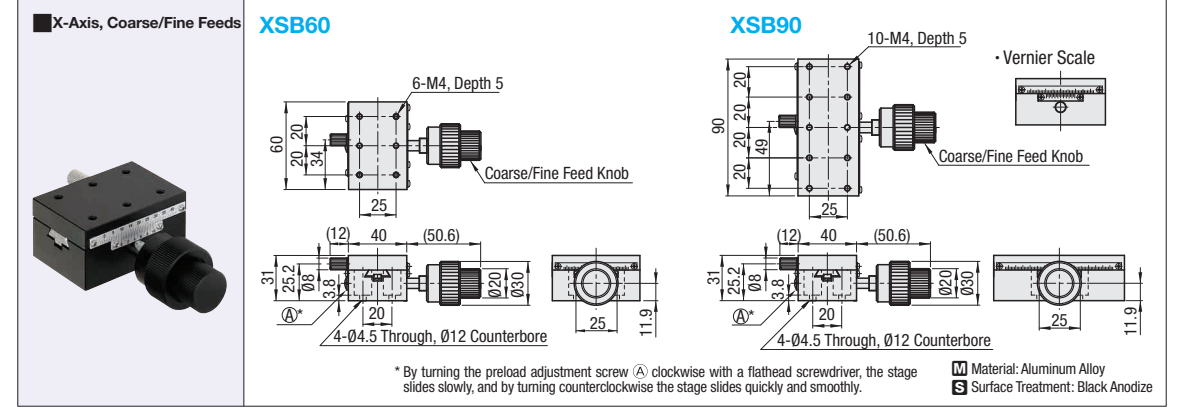
⚙️ Knob Cover HDCVR15 (Sold Separately): Ø15 knobs can be increased in diameter by installing the cover. P.2004

📄 Ordering Example
 Part Number
XWGCL40

Clamp Reinforcing Method

Retention by only the reinforced clamp is not sufficient to obtain zero backlash. Using with a clamp screw is recommended.

■ **Features:** Suitable for use when both fast feeding and ease of fine adjustments are required. Please note that the coarse/fine feed knob protrudes from the bottom surface.



Part Number	Type	No.	Stage Surface (mm)	Travel Distance (mm)	Travel per Rotation (mm)		Load Capacity (N)		Travel Accuracy		Weight (kg)	Accessory (4 pcs.) Type M-L	Unit Price
					Coarse	Fine	Horizontal	Vertical	Straightness	Parallelism			
XSB		60	40x60	±21	18	2.3	39.2	19.6	30µm	30µm	0.35	SCB4-8	
		90	40x90	±35									

⚙️ Resolution of the Vernier Scale for Coarse/Fine Knob Stages is 0.05mm. ⚙️ Coarse/Fine Feed Knob will interfere with the mating bases. ⚙️ For orders larger than indicated quantity, please request a quotation.

📄 Ordering Example
 Part Number
XSB60