




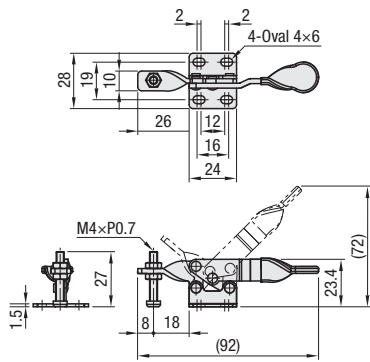
Toggle Clamps

Hold Down, Horizontal Handle (Flange Base)

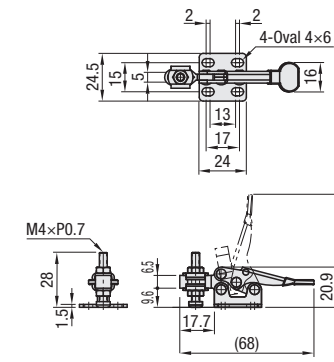
1N=0.101972kgf

Hold Down, Horizontal Handle (Flange Base)	Part Number	MC01-5	Hold Down, Horizontal Handle (Flange Base)	Part Number	MC01-6	MC01-S6	Hold Down, Horizontal Handle (Flange Base)	Part Number	MC01-7
 (Clamped)	Body Material	SS400	 (Clamped)	Body Material	SS400	SUS304	 (Clamped)	Body Material	SS400
	Surface Treatment	Trivalent Chromate		Surface Treatment	Trivalent Chromate	Trivalent Chromate			
	Tightening Force (N)	196		Tightening Force (N)	196	294			
	Weight (g)	30		Weight (g)	30	100			
	Arm Open-Close Angle	71°		Arm Open-Close Angle	75°	74°			
	Handle Open-Close Angle	76°		Handle Open-Close Angle	73°	75°			
Accessory	Steel Bolt	Accessory	Steel Bolt	Stainless Steel Bolt	Accessory	Steel Bolt			
Unit Price		Unit Price			Unit Price				

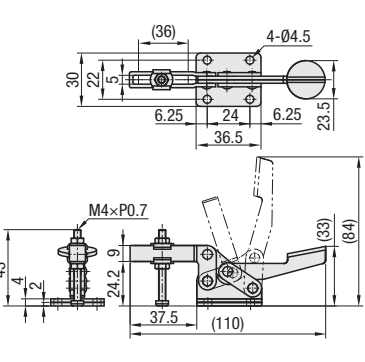
MC01-5





MC01-6
MC01-S6 (Stainless Steel)

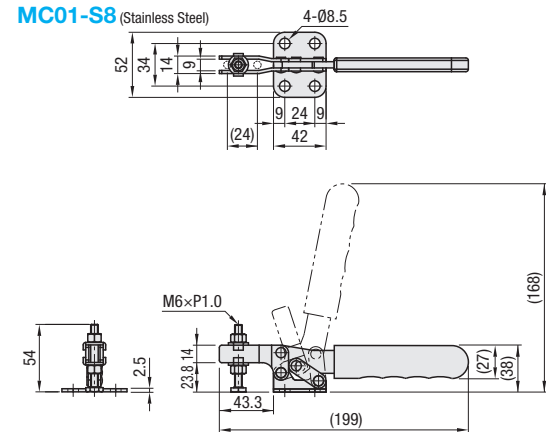


MC01-7

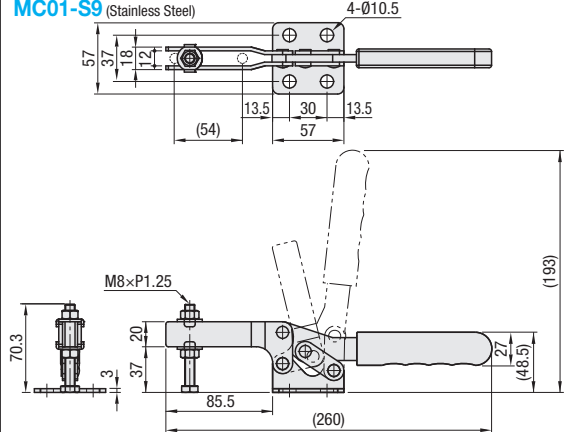


Hold Down, Horizontal Handle (Flange Base)	Part Number	MC01-8	MC01-S8	Hold Down, Horizontal Handle (Flange Base)	Part Number	MC01-9	MC01-S9
 (Clamped)	Body Material	SS400	SUS304	 (Clamped)	Body Material	SS400	SUS304
	Surface Treatment	Trivalent Chromate	-		Surface Treatment	Trivalent Chromate	-
	Tightening Force (N)	2450			Tightening Force (N)	2744	
	Weight (g)	210			Weight (g)	435	
	Arm Open-Close Angle	79°			Arm Open-Close Angle	81°	
	Handle Open-Close Angle	86°			Handle Open-Close Angle	89°	
Accessory	Steel Bolt	Stainless Steel Bolt		Accessory	Steel Bolt	Stainless Steel Bolt	
Unit Price				Unit Price			

MC01-8
MC01-S8 (Stainless Steel)



MC01-9
MC01-S9 (Stainless Steel)


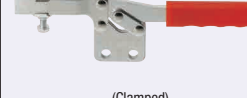


Ordering Example
Part Number
MC01-6
MC01-S8

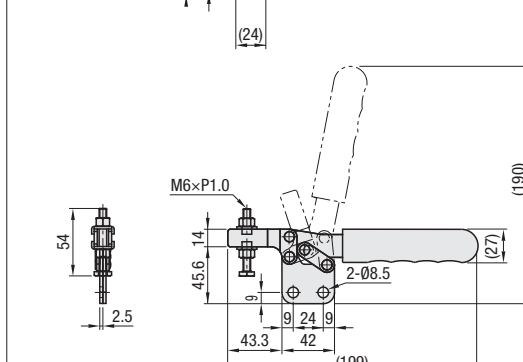
Toggle Clamps

Hold Down, Horizontal Handle (Straight Base / Side Mount Base / Flange Base)

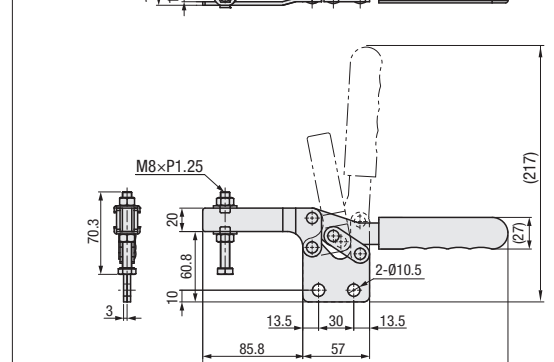
1N=0.101972kgf




Hold Down, Horizontal Handle (Straight Base)	Part Number	MC01-8S	Hold Down, Horizontal Handle (Straight Base)	Part Number	MC01-9S
 (Clamped)	Body Material	SS400	 (Clamped)	Body Material	SS400
	Surface Treatment	Trivalent Chromate		Surface Treatment	Trivalent Chromate
	Tightening Force (N)	2450		Tightening Force (N)	2744
	Weight (g)	210		Weight (g)	435
	Arm Open-Close Angle	79°		Arm Open-Close Angle	81°
	Handle Open-Close Angle	86°		Handle Open-Close Angle	89°
Accessory	Steel Bolt		Accessory	Steel Bolt	
Unit Price			Unit Price		

MC01-8S
(Straight Base)

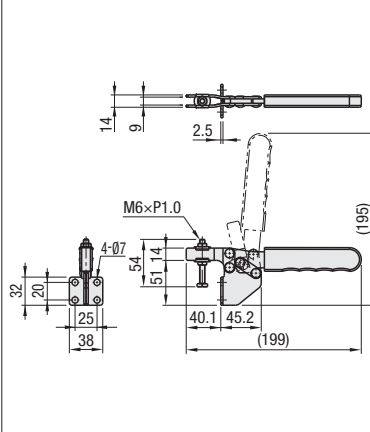


MC01-9S
(Straight Base)

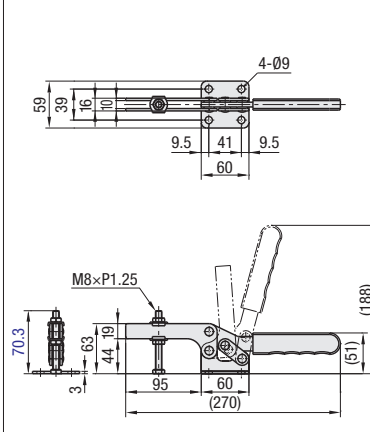


Hold Down, Horizontal Handle (Side Mount Base)	Part Number	MC01-11	Hold Down, Horizontal Handle (Flange Base)	Part Number	MC01-12	Hold Down, Horizontal Handle (Flange Base)	Part Number	MC01-13
 (Clamped)	Body Material	SS400	 (Clamped)	Body Material	SS400	 (Clamped)	Body Material	SS400
	Surface Treatment	Trivalent Chromate		Surface Treatment	Trivalent Chromate		Surface Treatment	Trivalent Chromate
	Tightening Force (N)	2500		Tightening Force (N)	2800		Tightening Force (N)	5000
	Weight (g)	210		Weight (g)	530		Weight (g)	635
	Arm Open-Close Angle	77°		Arm Open-Close Angle	88°		Arm Open-Close Angle	66°
	Handle Open-Close Angle	87°		Handle Open-Close Angle	79°		Handle Open-Close Angle	82°
Accessory	Steel Bolt		Accessory	Steel Bolt	Accessory	Steel Bolt		
Unit Price			Unit Price		Unit Price			

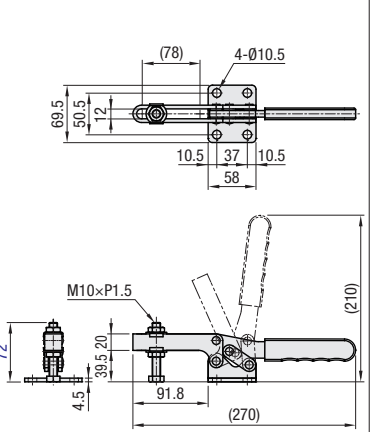
MC01-11



MC01-12



MC01-13



Ordering Example
Part Number
MC01-11
MC01-12

ex Example
Combination of these app. examples can be selected on our website.
Selection Procedure Details P87

e-Catalog Search Keyword #MA474 Search
* Enter the search keyword in the search box on e-Catalog. The search result will be shown in "Modular Assembler" area.

