


Locating Pins

Screw Mounted / Pilot / Large Screw Mounted

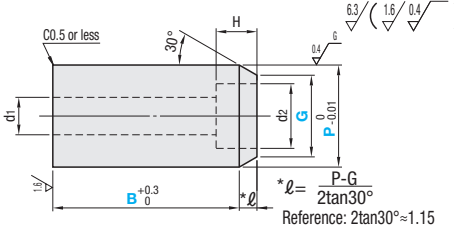
■Features: The pin body is secured by the bolts. You can use it for areas where you cannot use tapped screws since the bolt can be tightened from the top of the insertion guide.

■Screw Mounted



RoHS10


M	Material	S	Surface Treatment	H	Hardness	Type
S45C Equivalent	-	-	-	-	Treated Hardness: 45 ~ 50HRC	LPZ
S45C Equivalent	-	Black Oxide	-	-	Treated Hardness: 45 ~ 50HRC	LPZB
S45C Equivalent	-	Hard Chrome Plating	-	-	Treated Hardness: 45 ~ 50HRC / Plating Hardness: 750HV ~	LPZR
SUS304	-	-	-	-	-	LPZS
SUS304	-	Hard Chrome Plating	-	-	Plating Hardness: 750HV ~	LPZH
SUS40C or 13Cr stainless	-	-	-	-	Treated Hardness: 50 ~ 55HRC	LPZC



Reference: $2 \tan 30^\circ \approx 1.15$

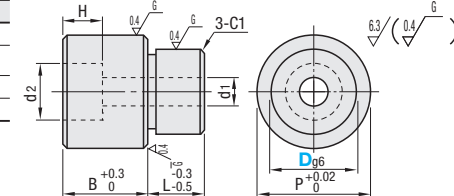
Part Number Type	No.	P 0.01mm Increment	B 0.1mm Increment	G 1mm Increment	d1	d2	H	Applicable Screw	Unit Price					
									LPZ	LPZB	LPZR	LPZS	LPZH	LPZC
LPZ LPZS LPZB LPZH LPZR LPZC	3	11.00~15.00	10.0~25.0	9≤G<P	3.5	6.5	4	M3						
	4	12.00~20.00	10.0~25.0	10≤G<P	4.5	8	5	M4						
	5	14.00~20.00	10.0~30.0	12≤G<P	5.5	9.5	6	M5						
	6	15.00~25.00	12.0~40.0	13≤G<P	6.5	11	7	M6						
	8	18.00~25.00	14.0~50.0	16≤G<P	9	14	9	M8						

■Pilot




RoHS10

M	Material	S	Surface Treatment	H	Hardness	Type
SKS3 Equivalent	-	-	-	-	Treated Hardness: 60 ~ 63HRC	JJPM
SKS3 Equivalent	-	Hard Chrome Plating	-	-	Treated Hardness: 50 ~ 55HRC / Plating Hardness: 750HV ~	GJJPM
SUS304	-	-	-	-	-	SJJPM
SUS40C or 13Cr stainless	-	-	-	-	Treated Hardness: 50 ~ 55HRC	CJJPM



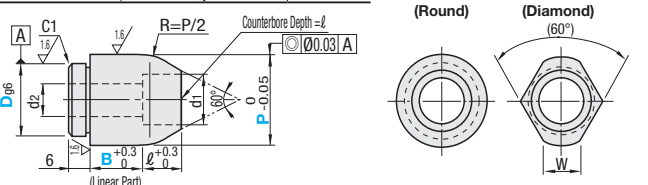
Part Number Type	Dg6	P	d1	d2	H	B	L	Applicable Screw	Unit Price				
									JJPM	GJJPM	SJJPM	CJJPM	
JJPM GJJPM SJJPM CJJPM	6	-0.004 -0.012	10	3.5	6.5	4	10	5	M3				
	8	-0.005	12	4.5	8	5			M4				
	10	-0.014	15	5.5	9.5	6			M5				
	12	-0.006	16	6.5	11	7			M6				
	15	-0.017	20	6.5	11	7	15	10	M8				
	16	-0.007	20	9	14	9			M10				
	20	-0.007	30	11	17.5	11			M12				
	25	-0.020	30	14	20	13							

■Large Screw Mounted



RoHS10

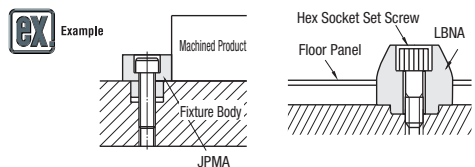
M	Material	S	Surface Treatment	H	Hardness	Shape	Type
SCM435	-	-	-	-	Treated Hardness: 35 ~ 40HRC	Round	LBNA LBNFA
						Diamond	LBND



Part Number Type	Dg6	P 0.1mm Increment	B Selection	l	W	d1	d2	Applicable Screw	Unit Price			
									LBNA	LBND	LBNFA	
LBNA (Round) LBND (Diamond) LBNFA (Round)	16	-0.023	5	5~20	7.5	7	11	6.6	M6			
					11	10	14	9	M8			
					13	12	17.5	11	M10			
					16	16						
					20	20						
					25	20						
	30			35	28							

Ⓢ D dimension 16 is applicable to LBNA and LBND only.

Ordering Example: Part Number - P - B - G (Screw Mounted)
 LPZ5 - P16.00 - B25.5 - G15 (Pilot)
 JJPM15 - P30.0 - B10 (Large Screw Mounted)




Locating Pins

Eccentric / Flanged Flat

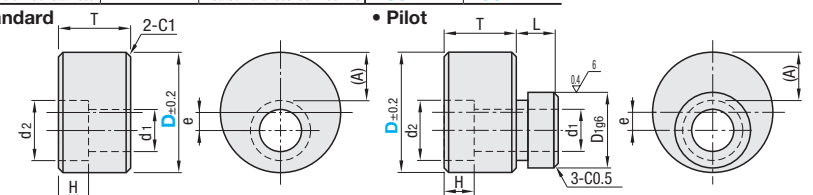
■Features: Locating Pins used when the hole location differs in the mounting area and the locating area. Use them by securing the flange with the bolts.

■Eccentric



RoHS10

M	Material	S	Surface Treatment	H	Hardness	Type	
						Standard	Pilot
SKS3 Equivalent	-	-	-	-	Treated Hardness: 60 ~ 63HRC	JJPEA	JJPEIA
SKS3 Equivalent	-	Hard Chrome Plating	-	-	Treated Hardness: 50 ~ 55HRC / Plating Hardness: 750HV ~	GJJPEA	-
SUS304	-	-	-	-	-	SJJPEA	SJJPEIA
SUS40C or 13Cr stainless	-	-	-	-	Treated Hardness: 50 ~ 55HRC	CJJPEA	CJJPEIA



Part Number Type	D	d1	d2	T	H	Applicable Screw	e	(A)	D1	D1g6	L	Unit Price				
												JJPEA	GJJPEA	SJJPEA	CJJPEA	
Standard JJPEA GJJPEA SJJPEA CJJPEA	10	3.5	6.5	6	4	M3	1	2.75	-	-	-	-				
	12	4.5	8	8	5	M4	1.2	3.2	8	-0.006	8					
	16	5.5	9.5	10	6	M5	2	5.25	8	-0.017	8					
	20	6.5	11	12	7	M6	2.5	7	11	-0.007	10					
	25	9	14	16	9	M8	3.5	9	14	-0.020	12					
	32	11	17.5	20	11	M10	5	12.25	17	-0.009	15					
	40	14	20	24	13	M12	7	17	20	-0.025	18					

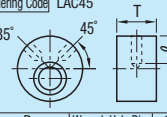
Ordering Example: Part Number JJPEA32 SJPEIA25

Alterations Code

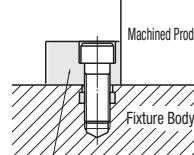
Wrench Hole LAC

Pilot Cut LC

Spec.




Example



JJPEIA

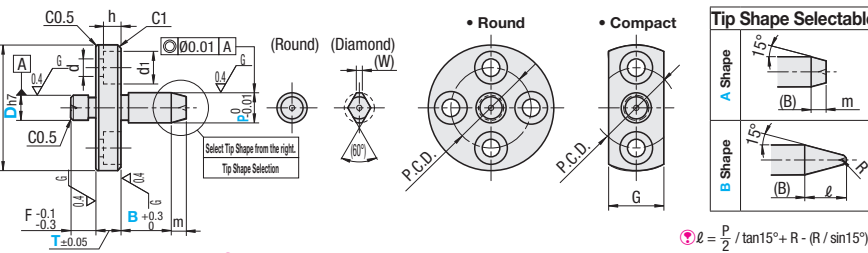
Easy eccentric adjustment due to the presence of a pilot.

■Flanged Flat



RoHS10

M	Material	S	Surface Treatment	H	Hardness	Round Flange		Compact Flange	
						Round	Diamond	Round	Diamond
SKS3 Equivalent	-	-	-	-	Treated Hardness: 60 ~ 63HRC	MASA	MASD	MATA	MATD
SUS304	-	-	-	-	-	SMASA	-	SMATA	-
SUS40C or 13Cr stainless	-	-	-	-	Plating Hardness: 750HV ~	HMASA	-	HMATA	-



Ⓢ SUS304 may not be polished and may have no centering hole.

Reference: $\tan 15^\circ \approx 0.267, \sin 15^\circ \approx 0.259$

Part Number Type	Tip Shape	Dh7	P 0.01mm Increment	B 0.1mm Increment	T 0.1mm Increment	F	H	G	P, C, D	d	d1	h	m	R	(W)	
																Round Flange
MASA MASD SMASA HMASA	A	5	0	3.00~5.00	3.0~10.0	5.0~10.0	5	25	11	16	3.5	6.5	3.5	3	1.5	
		6	-0.012	4.00~7.00	3.0~12.0										1.5	2.2
		8	0	6.00~9.00	3.0~15.0										2	3
		10	-0.015	7.00~11.00	4.0~20.0	7.0~15.0	5	36	16	24	5.5	9.5	5.5	4	3	3.2
		12	0	8.00~12.00	4.0~20.0										4	4
		16	-0.018	13.00~16.00	5.0~20.0	11.0~20.0	10	54	24	37	9	14	9	5	5	5.5

Ordering Example: Part Number - P - B - T
 MASAA8 - P6.50 - B7.5 - T8.2

■Round Flange

D	MASA	MASD	SMASA	HMASA
5				
6				
8				
10				
12				
16				
20				

■Compact Flange

D	MATA	MATD	SMATA	HMATA
5				
6				
8				
10				
12				
16				
20				

Ⓢ For Compact Flange Type, D dimension 5, 6 are not applicable.