


Clamping High Torque Timing Pulleys - S3M, S5M, S8M

■ **Features:** Can be connected with a shaft by screwing. Easy positioning.

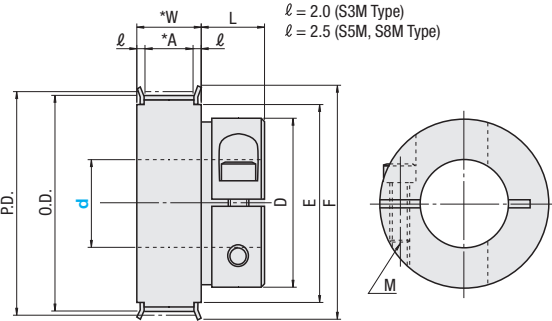


RoHS10

HTCPA **S3M060**
S3M100
(Pitch 3.0mm)

HTCPA **S5M100**
S5M150
(Pitch 5.0mm)

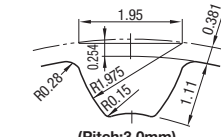
HTCPA **S8M150**
S8M250
(Pitch 8.0mm)



$\ell = 2.0$ (S3M Type)
 $\ell = 2.5$ (S5M, S8M Type)

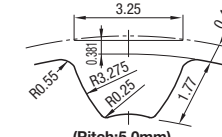
Standard Tooth Profile

S3M



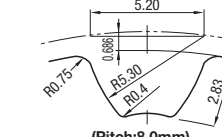
(Pitch:3.0mm)

S5M



(Pitch:5.0mm)

S8M



(Pitch:8.0mm)

■ **Recommended Shaft Tolerance h7 (g6)**
 * Finish Surface Roughness: Ra = 3.2a or less.

Type	Material	Flange	Surface Treatment
HTCPA	A7075	A5052	Clear Anodize

* Flange is installed.
 * Hex socket head cap screws are included. (SCM435, Black Oxide) * Surface treatment may not be applied to shaft bores. Tooth groove dimensions slightly vary according to the number of teeth.

■ **S3M** For High Torque Timing Belts, see P.1465.

Part Number		d Selection	P.D.	O.D.	D	F	E	L	Clamp Screw		Unit Price	
Type	Number of Teeth								M	Tightening Torque (N·m)	S3M060	S3M100
HTCPA	24	4	22.92	22.16	13	25	16	9	2	0.4		
	26	4	24.83	24.07								
	28	4	26.74	25.98								
	30	6 8	28.65	27.89	20	32	23	12.5	3	1.5		
	32	6 8	30.56	29.80								
	36	6 8	34.38	33.62								
	40	8 10	38.20	37.44	26	44	32	14	4	3.5		
	44	8 10	42.02	41.25								
	48	8 10 11 12	45.84	45.07								
	50	8 10 11 12 13 14	47.75	46.98	36	52	40	15.5	5	6		
	60	8 10 11 12 13 14 15 16	57.30	56.53								

■ **S5M** For High Torque Timing Belts, see P.1465.

Part Number		d Selection	P.D.	O.D.	D	F	E	L	Clamp Screw		Unit Price			
Type	Number of Teeth								M	Tightening Torque (N·m)	S5M100	S5M150	S5M100	S5M150
HTCPA	24	8 10	38.20	37.24	26	45	30	12.5	3	1.5				
	25	8 10	39.79	38.83										
	26	8 10	41.38	40.42										
	28	8 10	44.56	43.60	31	48	35	14	4	3.5				
	30	10	47.75	46.79										
	32	10 11 12 13 14	50.93	49.97										
	34	10 11 12 13 14 15 16	54.11	53.15	41	61	45	15.5	5	6				
	36	10 11 12 13 14 15 16	57.30	56.34										
	40	10 11 12 13 14 15 16 17 18 19	63.66	62.70										
	44	12 13 14 15 16 17 18 19	70.03	69.07	46	74	58	16.5	6	12				
	48	20 21 22 23 24	76.39	75.43										
	50	12 13 14 15 16 17 18 19	79.58	78.62										
	60	20 21 22 23 24 25	95.49	94.53	46	99	80	16.5	6	12				
		12 13 14 15 16 17 18 19												
		20 21 22 23 24 25												

■ **S8M**

■ For High Torque Timing Belts, see P.1465.

Part Number		d Selection	P.D.	O.D.	D	F	E	L	Clamp Screw		Unit Price	
Type	Number of Teeth								M	Tightening Torque (N·m)	S8M150	S8M250
HTCPA	20	12 13 14	50.93	49.56	36	58	40	14	4	3.5		
	22	12 13 14 15 16	56.02	54.65								
	24	12 13 14 15 16 17 18 19	61.12	59.74								
	25	12 13 14 15 16 17 18 19	63.66	62.29	46	70	56	16	5	6		
	28	15 16 17 18 19	71.30	69.93								
	30	20 21 22 23 24 25	76.39	75.02								
	32	18 19	81.49	80.12	46	87	67	16	5	6		
	34	20 21 22 23 24 25	86.58	85.21								
	36	18 19	91.67	90.30								
		20 21 22 23 24 25			46	99	80	16	5	6		
		18 19										
		20 21 22 23 24 25										

■ **Allowable Torque (S3M)**

Type	Number of Teeth	Shaft Dia.	Allowable Torque (N·m)
S3M	24 26 28	4	0.16
	30 32	6	0.95
	36	6	2.6
		8	0.95
		8	2.6
	40	8	2.6
		10	2.6
		10	2.6
	44	8	2.6
		10	2.6
		10	2.6
	48	8	2.6
		10	2.6
		11	2.6
		12	2.6
		12	2.6
		12	2.6
	50	8	2.6
		10	2.6
		11	2.6
		12	2.6
		13	2.6
		14	7.6
	60	8	2.6
10		2.6	
11		2.6	
12		2.6	
13		2.6	
14		7.6	
15		2.6	
15		7.6	
16		2.6	
16		7.6	

■ **Allowable Torque (S5M)**

Type	Number of Teeth	Shaft Dia.	Allowable Torque (N·m)
S5M	24 25	8	2.6
	26 28	8	2.6
		10	2.6
		10	2.6
	30	10	2.6
		11	2.6
		12	2.6
	32	12	2.6
		13	2.6
		14	7.6
		14	2.6
		15	2.6
		16	7.6
	34 36	10	2.6
		11	2.6
		12	2.6
		13	2.6
		14	7.6
		15	7.6
	40	10	2.6
		11	2.6
		12	2.6
		13	2.6
		14	7.6
15		7.6	
16		7.6	
17		7.6	
18		7.6	
19		7.6	
44 48 50 60	12	2.6	
	13	2.6	
	14	2.6	
	15	7.6	
	16	7.6	
	17	7.6	
	18	7.6	
	19	7.6	
	20	48	
	21	48	
22	66		
23	66		
24	95		
25	95		

■ **Allowable Torque (S8M)**

Type	Number of Teeth	Shaft Dia.	Allowable Torque (N·m)
S8M	20	12	2.6
		13	7.6
		14	2.6
	22	12	2.6
		13	2.6
		14	7.6
		15	7.6
		16	7.6
		16	2.6
	24 25	12	2.6
		13	2.6
		14	7.6
		15	7.6
		16	7.6
		17	7.6
	28 30	16	7.6
		17	7.6
		18	7.6
		19	7.6
		20	48
		21	48
		22	66
		23	66
		24	95
25		95	
32 34 36	18	7.6	
	19	7.6	
	20	48	
	21	48	
	22	66	
	23	66	
	24	95	
	25	95	

Ordering Example

Part Number		Shaft Bore Dia. d
Type	Number of Teeth	Type, Nominal Width
HTCPA40	-	S3M060 - 10