


Timing Pulleys

Width Configurable - MXL, XL, S2M, S3M, S5M

Bar-Shaped Timing Pulleys

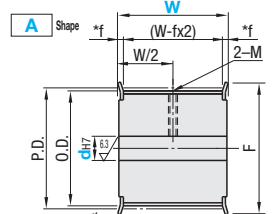
MXL, XL, S2M, S3M, S5M



RoHS 10

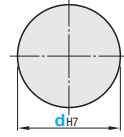
FTPAA **MXL**
XL
S2M
S3M
S5M

• Pulley Shape

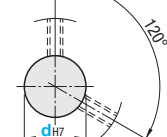


• Shaft Bore Specs. Surface treatment may not be applied to shaft bores.

H Round Hole



P Round Hole + Tap



*No tapped holes or set screws. *The set screw holes are set at around 120° to keep away from peaks.

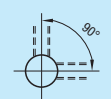


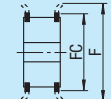
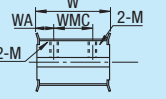
| Type | Material | Surface Treatment | Accessory Set Screws |
|-------|----------------|-------------------|----------------------|
| FTPAA | Aluminum Alloy | A5052 | Clear Anodize |
| | | | SUS304 |


*MXL, S2M, S3M : f=2.0 t=1.0
XL, S5M : f=2.5 t=1.6

| Part Number | Pulley Type | W | Shaft Bore Specs | P.D. | O.D. | F | Unit Price | | | | P Hole | | | | | | | |
|-------------|-------------|-------|------------------|--------|------|------|------------|--------|--------|---------|--------|------|------|-------|-------|--|--|--|
| | | | | | | | W15-25 | W25-50 | W51-75 | W75-100 | | | | | | | | |
| 14 | FTPAA | MXL | A | 15-100 | H | Wsd5 | 3-4 | 9.06 | 8.55 | | | | | | | | | |
| 15 | | | | | | | 3-4 | 9.70 | 9.19 | | | | | | | | | |
| 16 | | | | | | | 3-5 | 10.35 | 9.84 | | | | | | | | | |
| 17 | | | | | | | 3-5 | 11.00 | 10.49 | | | | | | | | | |
| 18 | | | | | | | 3-5 | 11.64 | 11.14 | | | | | | | | | |
| 19 | | | | | | | 3-5 | 12.29 | 11.78 | | | | | | | | | |
| 20 | | | | | | | 4-6 | 12.94 | 12.43 | | | | | | | | | |
| 21 | | | | | | | 4-6 | 13.58 | 13.07 | | | | | | | | | |
| 22 | | | | | | | 4-6 | 14.23 | 13.72 | | | | | | | | | |
| 23 | | | | | | | 4-7 | 14.88 | 14.37 | | | | | | | | | |
| 24 | | | | | | | 4-7 | 15.52 | 15.02 | | | | | | | | | |
| 25 | | | | | | | 4-7 | 16.17 | 15.66 | | | | | | | | | |
| 26 | | | | | | | 4-8 | 16.82 | 16.31 | | | | | | | | | |
| 27 | | | | | | | 4-8 | 17.46 | 16.96 | | | | | | | | | |
| 28 | | | | | | | 4-8 | 18.11 | 17.60 | | | | | | | | | |
| 29 | | | | | | | 4-10 | 19.40 | 18.90 | | | | | | | | | |
| 30 | | | | | | | 4-10 | 20.70 | 20.19 | | | | | | | | | |
| 32 | | | | | | | 4-10 | 21.99 | 21.48 | | | | | | | | | |
| 36 | | | | | | | 5-12 | 23.29 | 22.78 | | | | | | | | | |
| 38 | | | | | | | 5-12 | 24.58 | 24.07 | | | | | | | | | |
| 40 | 5-12 | 25.87 | 25.36 | | | | | | | | | | | | | | | |
| 42 | 5-12 | 27.17 | 26.66 | | | | | | | | | | | | | | | |
| 44 | 5-13 | 28.46 | 27.95 | | | | | | | | | | | | | | | |
| 46 | 5-13 | 29.75 | 29.24 | | | | | | | | | | | | | | | |
| 48 | 5-15 | 31.05 | 30.54 | | | | | | | | | | | | | | | |
| 50 | 5-15 | 32.34 | 31.84 | | | | | | | | | | | | | | | |
| 60 | 5-20 | 38.81 | 38.30 | | | | | | | | | | | | | | | |
| 72 | 5-20 | 46.57 | 46.06 | | | | | | | | | | | | | | | |
| 16 | FTPAA | XL | A | 15-100 | H | Wsd5 | 6-13 | 25.87 | 25.36 | | | | | | | | | |
| 18 | | | | | | | 6-15 | 29.11 | 28.60 | | | | | | | | | |
| 19 | | | | | | | 6-15 | 30.72 | 30.22 | | | | | | | | | |
| 20 | | | | | | | 8-16 | 32.34 | 31.83 | | | | | | | | | |
| 22 | | | | | | | 8-20 | 35.57 | 35.07 | | | | | | | | | |
| 24 | | | | | | | 8-22 | 38.81 | 38.30 | | | | | | | | | |
| 26 | | | | | | | 8-22 | 40.43 | 39.92 | | | | | | | | | |
| 28 | | | | | | | 8-23 | 42.04 | 41.53 | | | | | | | | | |
| 30 | | | | | | | 8-25 | 45.28 | 44.77 | | | | | | | | | |
| 32 | | | | | | | 10-30 | 48.51 | 48.00 | | | | | | | | | |
| 36 | | | | | | | 10-30 | 51.74 | 51.24 | | | | | | | | | |
| 38 | | | | | | | 10-38 | 58.21 | 57.70 | | | | | | | | | |
| 40 | | | | | | | 10-47 | 64.68 | 64.17 | | | | | | | | | |
| 14 | | | | | | | FTPAA | S2M | A | 15-100 | H | Wsd5 | 3-4 | 8.91 | 8.40 | | | |
| 15 | | | | | | | | | | | | | 3-4 | 9.55 | 9.04 | | | |
| 16 | | | | | | | | | | | | | 3-5 | 10.19 | 9.68 | | | |
| 18 | | | | | | | | | | | | | 3-5 | 11.46 | 10.95 | | | |
| 20 | | | | | | | | | | | | | 3-6 | 12.73 | 12.22 | | | |
| 22 | | | | | | | | | | | | | 3-6 | 14.01 | 13.50 | | | |
| 24 | | | | | | | | | | | | | 3-7 | 15.28 | 14.77 | | | |
| 25 | 3-7 | 15.92 | 15.41 | | | | | | | | | | | | | | | |
| 26 | 3-8 | 16.55 | 16.04 | | | | | | | | | | | | | | | |
| 28 | 3-8 | 17.83 | 17.32 | | | | | | | | | | | | | | | |
| 30 | 3-8 | 19.01 | 18.59 | | | | | | | | | | | | | | | |
| 32 | 4-10 | 20.37 | 19.86 | | | | | | | | | | | | | | | |
| 36 | 4-10 | 22.92 | 22.41 | | | | | | | | | | | | | | | |
| 40 | 4-12 | 25.46 | 24.96 | | | | | | | | | | | | | | | |
| 44 | 5-13 | 28.01 | 27.50 | | | | | | | | | | | | | | | |
| 48 | 5-15 | 30.56 | 30.05 | | | | | | | | | | | | | | | |
| 50 | 5-16 | 31.83 | 31.32 | | | | | | | | | | | | | | | |
| 60 | 5-22 | 38.20 | 37.69 | | | | | | | | | | | | | | | |
| 14 | FTPAA | S3M | A | 15-100 | H | Wsd5 | | | | | | | 4-6 | 13.37 | 12.61 | | | |
| 15 | | | | | | | | | | | | | 4-6 | 14.32 | 13.56 | | | |
| 16 | | | | | | | 4-7 | 15.28 | 14.52 | | | | | | | | | |
| 18 | | | | | | | 4-8 | 17.19 | 16.43 | | | | | | | | | |
| 20 | | | | | | | 4-8 | 19.10 | 18.34 | | | | | | | | | |
| 22 | | | | | | | 4-10 | 21.01 | 20.25 | | | | | | | | | |
| 24 | | | | | | | 4-10 | 22.92 | 22.16 | | | | | | | | | |
| 25 | | | | | | | 4-11 | 23.87 | 23.11 | | | | | | | | | |
| 26 | | | | | | | 5-11 | 24.83 | 24.07 | | | | | | | | | |
| 28 | | | | | | | 5-13 | 26.74 | 25.98 | | | | | | | | | |
| 30 | | | | | | | 6-14 | 28.65 | 27.89 | | | | | | | | | |
| 32 | | | | | | | 6-16 | 30.56 | 29.80 | | | | | | | | | |
| 36 | | | | | | | 6-18 | 34.38 | 33.62 | | | | | | | | | |
| 40 | | | | | | | 8-23 | 38.20 | 37.44 | | | | | | | | | |
| 44 | | | | | | | 8-25 | 42.02 | 41.25 | | | | | | | | | |
| 48 | | | | | | | 8-25 | 45.84 | 45.07 | | | | | | | | | |
| 50 | | | | | | | 8-28 | 47.75 | 46.98 | | | | | | | | | |
| 60 | | | | | | | 8-32 | 57.30 | 56.53 | | | | | | | | | |
| 14 | | | | | | | FTPAA | S5M | A | 20-100 | H | Wsd5 | 6-10 | 22.28 | 21.32 | | | |
| 16 | | | | | | | | | | | | | 7-12 | 25.46 | 24.50 | | | |
| 20 | 7-16 | 31.83 | 30.87 | | | | | | | | | | | | | | | |
| 24 | 7-20 | 38.20 | 37.24 | | | | | | | | | | | | | | | |
| 25 | 7-20 | 39.79 | 38.83 | | | | | | | | | | | | | | | |
| 30 | 10-26 | 47.75 | 46.79 | | | | | | | | | | | | | | | |
| 32 | 10-28 | 50.93 | 49.97 | | | | | | | | | | | | | | | |
| 36 | 10-30 | 57.30 | 56.34 | | | | | | | | | | | | | | | |
| 40 | 10-38 | 63.66 | 62.70 | | | | | | | | | | | | | | | |

Ordering Example: Part Number - Pulley Shape - W - Shaft Bore Specs., I.D.
FTPAA20S5M - A - W80 - P16

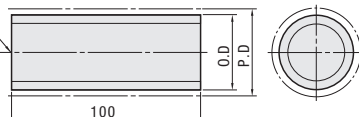
Alterations: Part Number - Pulley Shape - W - Shaft Bore Specs., I.D. - (KC90, NFC, RFC, FC, WMC)
FTPAA20S5M - A - W80 - P16 - KC90-WMC40-WA20

| Alterations Code | Set Screw Angle | Flange Not Swaged | Flange Swaged on One Side | Flange Cut | Tapped Hole |
|------------------|--|---|---|---|---|
| | KC90 | NFC | RFC | FC | WMC |
| Spec. |  |  |  |  |  |
| | Changes an angle of set screw to 90°. The set screw hole is set at around 90° to keep away from peaks. | Flange is not installed. (Flange Included) | Flange installed by swaging only on one side at the time of shipment. (Flange 1 pc. Included) | Lowers flange by cutting. FC: 0.5mm Increment No surface treatment is applied on flange circumference. | Adds a tapped hole. WMCs: M+3 WA: M/2+3 WMC+WA: W-(M/2+3) WMC20-WA5 |

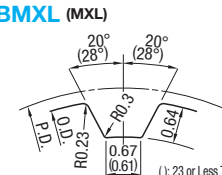


RoHS 10

Center Hole (Both Sides)

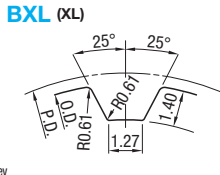


BMXL (MXL)

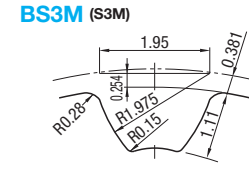


(): 23 or Less Toothed Pulley

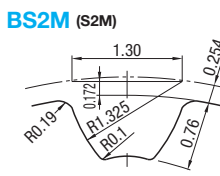
BXL (XL)



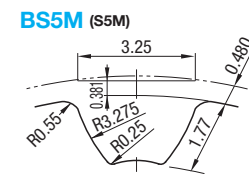
BS3M (S3M)



BS2M (S2M)



BS5M (S5M)



Tooth groove dimensions slightly vary according to the number of teeth. Material: Aluminum Alloy

| Part Number | P.D. | O.D. | Unit Price |
|-------------|-------|-------|------------|
| 10 | 6.47 | 5.96 | |
| 11 | 7.11 | 6.61 | |
| 12 | 7.76 | 7.25 | |
| 13 | 8.41 | 7.90 | |
| 14 | 9.06 | 8.55 | |
| 15 | 9.70 | 9.19 | |
| 16 | 10.35 | 9.84 | |
| 17 | 11.00 | 10.49 | |
| 18 | 11.64 | 11.14 | |
| 19 | 12.29 | 11.78 | |
| 20 | 12.94 | 12.43 | |
| 21 | 13.58 | 13.07 | |
| 22 | 14.23 | 13.72 | |
| 23 | 14.88 | 14.37 | |
| 24 | 15.52 | 15.02 | |
| 25 | 16.17 | 15.66 | |
| 26 | 16.82 | 16.31 | |
| 27 | 17.46 | 16.96 | |
| 28 | 18.11 | 17.60 | |
| 30 | 19.40 | 18.90 | |
| 32 | 20.70 | 20.19 | |
| 34 | 21.99 | 21.48 | |
| 36 | 23.29 | 22.78 | |
| 38 | 24.58 | 24.07 | |
| 40 | 25.87 | 25.36 | |
| 42 | 27.17 | 26.66 | |
| 44 | 28.46 | 27.95 | |
| 46 | 29.75 | 29.24 | |
| 48 | 31.05 | 30.54 | |
| 50 | 32.34 | 31.83 | |
| 60 | 38.81 | 38.30 | |
| 72 | 46.57 | 46.06 | |

| Part Number | P.D. | O.D. | Unit Price |
|-------------|-------|-------|------------|
| 16 | 25.87 | 25.36 | |
| 18 | 29.11 | 28.60 | |
| 19 | 30.72 | 30.22 | |
| 20 | 32.34 | 31.83 | |
| 22 | 35.57 | 35.07 | |
| 24 | 38.81 | 38.30 | |
| 25 | 40.43 | 39.92 | |
| 26 | 42.04 | 41.53 | |
| 28 | 45.28 | 44.77 | |
| 30 | 48.51 | 48.00 | |
| 32 | 51.74 | 51.24 | |
| 36 | 58.21 | 57.70 | |
| 40 | 64.68 | 64.17 | |

| Part Number | P.D. | O.D. | Unit Price |
|-------------|-------|-------|------------|
| 14 | 13.37 | 12.61 | |
| 15 | 14.32 | 13.56 | |
| 16 | 15.28 | 14.52 | |
| 18 | 17.19 | 16.43 | |
| 20 | 19.10 | 18.34 | |
| 22 | 21.01 | 20.25 | |
| 24 | 22.92 | 22.16 | |
| 25 | 23.87 | 23.11 | |
| 26 | 24.83 | 24.07 | |
| 28 | 26.74 | 25.98 | |
| 30 | 28.65 | 27.89 | |
| 32 | 30.56 | 29.80 | |
| 36 | 34.38 | 33.62 | |
| 40 | 38.20 | 37.44 | |
| 44 | 42.02 | 41.25 | |
| 48 | 45.84 | 45.07 | |
| 50 | 47.75 | 46.98 | |
| 60 | 57.30 | 56.53 | |

| Part Number | P.D. | O.D. | Unit Price |
|-------------|-------|-------|------------|
| 14 | 22.28 | 21.32 | |
| 16 | 25.46 | 24.50 | |
| 20 | 31.83 | 30.87 | |
| 24 | 38.20 | 37.24 | |
| 25 | 39.79 | 38.83 | |
| 30 | 47.75 | 46.79 | |
| 32 | 50.93 | 49.97 | |
| 36 | 57.30 | 56.34 | |
| 40 | 63.66 | 62.70 | |

Ordering Example: Part Number
BMXL20