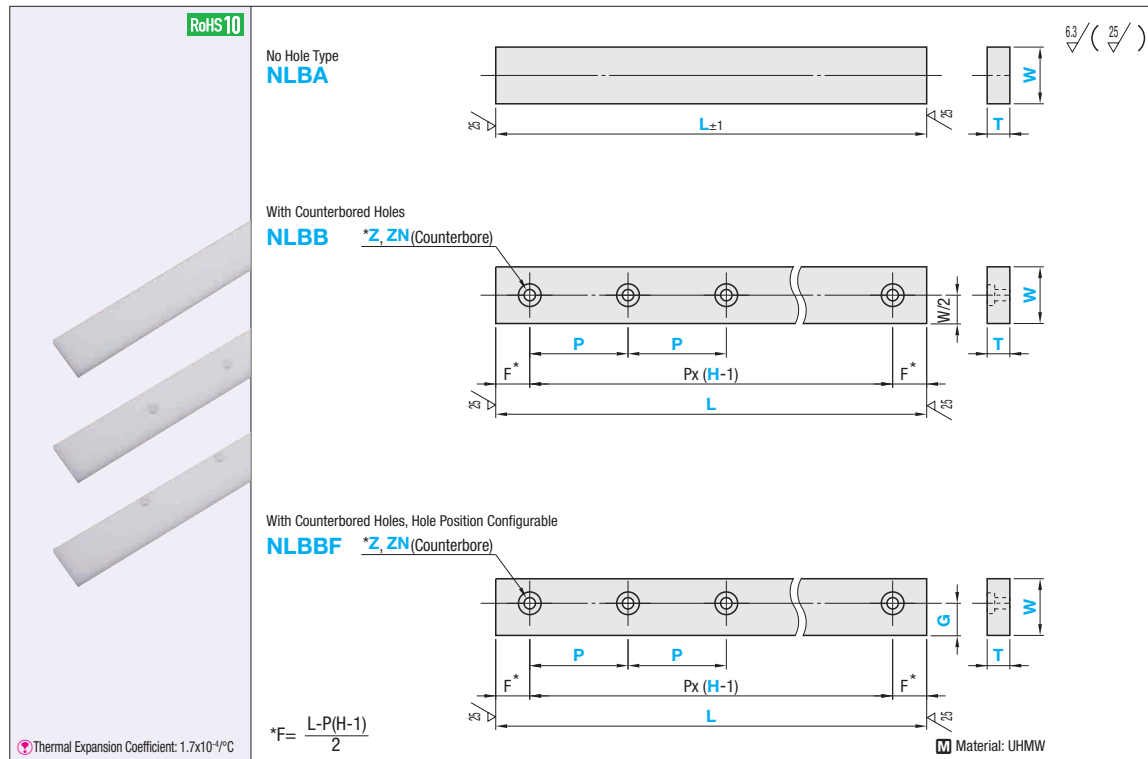
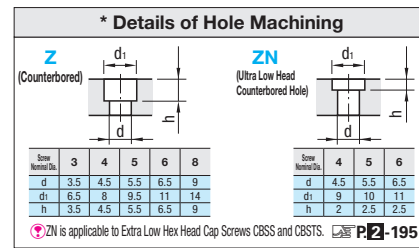


UHMW Guide Rail Shields

Flat

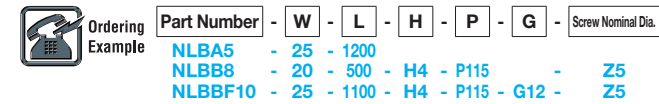


No Hole Type							
Part Number	W Selection				L		
Type	T					1mm Increment	
NLBA	3	10	15	20	25	100~1800	
	5	15	20	25	30		35
	8	20	25	30	35		40
	10	20	25	30	35		40
	15	25	30	35	40		
	20	30	35	40			



With Counterbored Holes												
Part Number	W Selection					L	H	P	Screw Hole Nominal Diameter Configurable			
Type	T						1mm Increment	(Number of Holes)	1mm Increment	Z	ZN	
NLBB	3	10	15	20	25	100~1200	2~10	P≥20	-	4		
	5	15	20	25	30				35	4	5	6
	8	20	25	30	35				40	4	5	6
	10	20	25	30	35				40	4	5	6
	15	25	30	35	40				-	-	-	-
	20	30	35	40	-				-	-	-	-

With Counterbored Holes, Hole Position Configurable																
Part Number	W Selection					L	H	P	G	Screw Hole Nominal Diameter Configurable						
Type	T						1mm Increment	(Number of Holes)	1mm Increment	1mm Increment	Z	ZN				
NLBBF	3	15	20	25		100~1200	2~10	P≥20	7~20 d1/2+1≤G≤W/2	-	4					
	5	15	20	25	30					35	4	5	6			
	8	20	25	30	35					40	3	4	5	4	5	6
	10	20	25	30	35					40	4	5	6	5	6	
	15	25	30	35	40					-	-	-	-	-	-	
	20	30	35	40	-					-	-	-	-	-	-	



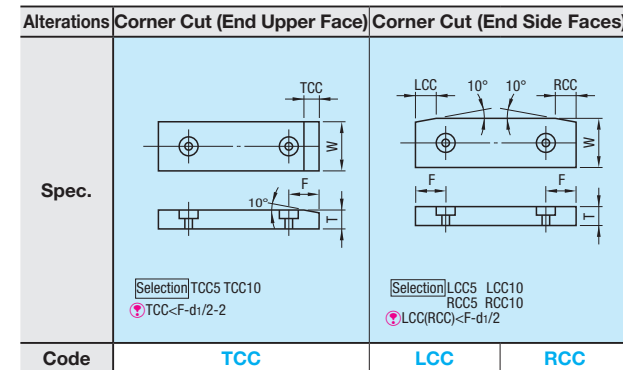
For Hole Machined Type, add a hole machining charge to the body price.
(Price Calculation Example) NLBB8-20-500-H4-P115-Z5:
(Body Price) + (Hole Machining Charge) = (Product Price)

Body Price		Body Price								Hole Machining Charge (Body Price +)		
Part Number	Type	T	W Selection								Hole Machining Number of Holes (H)	NLBBNLBBF (Counterbored Hole)
			NLBA, NLBB, NLBBF				NLBA					
			L100~200	L201~400	L401~600	L601~900	L901~1200	L1201~1500	L1501~1800			
NLBA NLBB NLBBF	3	10								2		
		15							3			
		20							4			
		25							5			
	5	15							6			
		20							7			
		25							8			
		30							9			
	8	20							10			
		25										
		30										
		35										
	10	20										
		25										
		30										
		35										
	15	20										
		25										
		30										
		35										
	20	20										
		25										
		30										
		35										



Features of UHMW

- ① Abrasion Resistance: Approx. 6x of Fluorinated Resin. Approx. 5x of Nylon Resin. Approx. 6x of Polyurethane.
- ② Self-lubricating: tribological property is the same as that of fluororesin.
- ③ Passed standard test: No. 20 of Health and Welfare Ministry.



Characteristic Values (Reference Values)				
Item	Unit	UHMWPE	Nylon 6	Fluororesin
Specific Gravity	-	0.94	1.08	2.2
Tensile Strength	MPa	44	64	25
Tensile Elongation	%	450	210	300
Hardness	Rockwell R Scale	40	95	32
Impact Strength	Izod Notch kJ/m	>137	13	16
Thermal Expansion Coefficient	10 ⁻⁴ /°C	1.7	0.8	1.0
Heat Resistance Temperature	°C	80	80~120	260~278
Moisture Absorption Ratio	%	<0.01	1.5	<0.01
Dielectric Constant	-	2.3	4.0	2.1
Breakdown Voltage	kV/mm	50	20	20
Strong Acid Resistance	-	◎	×	◎
Alkali Resistance	-	◎	○	◎
Organic Solvent Resistance	-	◎	○	◎

(L-P(H-1))/2≥d1/2+2