



Engineered Plastic Bearings

Flat Type



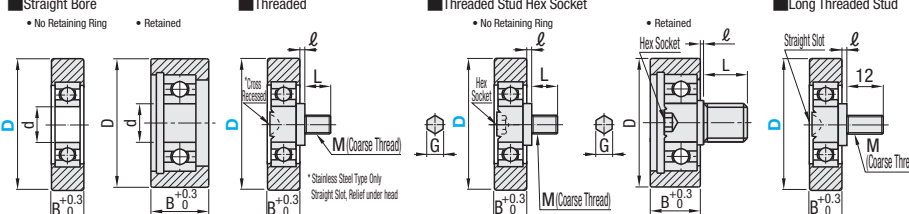
Retained Type



Type				Material		Surface Treatment	
No Retaining Ring				Bearing	Shaft	Shaft	
Straight Bore	Threaded Stud	Threaded Stud Hex Socket	Long Threaded Stud	Surface Plastic	Bearing	Shaft	Shaft
EBSS	EBBS	EBHS	-	Polyacetal	SUS440C Equivalent	SUS304 Equivalent	-
EB	EBB	EBH	EBBL	-	SUJ2	SWCH	Trivalent Chromate
EBD	EBBD	-	-	Antistatic Polyacetal	SUS440C Equivalent	SUS304 Equivalent	-
EBC	-	EBBC	-	-	SUS440C Equivalent (Low Dust Generation)	SUS304 (Low Dust Generation)	-
EBSZ	-	EBHZ	-	MC Nylon UHMWPE	SUJ2	S45C	Trivalent Chromate
-	-	EBM	EBMH	-	-	-	-
-	-	EBPE	EBPEH	-	-	-	-

* EBC, EBSZ, EBBC and EBHZ use low dust generation grease and the resin section may be discolored due to reactions with ultraviolet, but the functionality will not be affected.
 * Surface resistivity of antistatic polyacetal is $1.5 \times 10^{11} \Omega$ (Temperature 23°C / Humidity 65%)
 * For identification, markings are painted on the side of antistatic polyacetal plastic parts. Wipe off before use.

Straight Bore **Threaded** **Threaded Stud Hex Socket** **Long Threaded Stud**
 • No Retaining Ring • Retained • No Retaining Ring




Bearing Accuracy JIS B 1514, 0 Class

Part Number	Allowable Load N () indicates SUS304	D	d	B		L	Hex Socket G	Retaining Ring Size () Type () Only for Retained Type	Bearing Used	Unit Price																
				Polyacetal	MC Nylon Ultra High-Molecular-Weight Polyethylene					Straight Bore	Threaded Stud	Threaded Stud Hex Socket	Long Threaded Stud													
Straight Bore										EBSS	EB	EBD	EBC	EBSZ	EBM	EBPE	EBBS	EBB	EBBD	EBHS	EBH	EBBC	EBHZ	EBMH	EBPEH	EBBL
EBSS	13		4	-	-	-	1	1.5	L-1040ZZ																	
EB	14	29.4(14.7)	5	4	5																					
EBD	14		5	8																						
EBC	16																									
EBSZ	18																									
EBM	19																									
EBPE	20																									
Threaded Stud																										
EBBS	22	78.4(39.2)	6	6	9		2.5	RTWS15	696ZZ																	
EBB	22																									
EBBD	24																									
Threaded Stud Hex Socket																										
EBHS	26	176(88)	8	8	12		5	RTWS22	608ZZ																	
EBH	30																									
EBBC	35																									
EBMH	40																									
EBPEH	45	245(122)	10	12	14	8	12	2	6	RTWS30	6200ZZ															
Long Threaded Stud																										
EBBL	50																									

* See price chart for available sizes. * For bearing detailed dimensions, see P989, 991. kgf=Nx0.101972

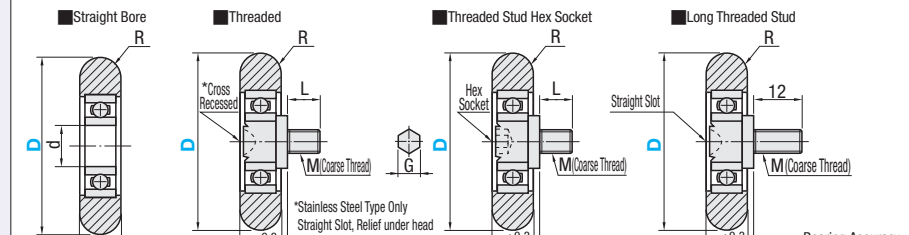
R Type



Type				Material		Surface Treatment	
Straight Bore				Bearing	Shaft	Shaft	
Straight Bore	Threaded Stud	Threaded Stud Hex Socket	Long Threaded Stud	Surface Plastic	Bearing	Shaft	Shaft
ERBS	ERBBS	ERBHS	-	Polyacetal	SUS440C Equivalent	SUS304 Equivalent	-
ERB	ERBB	ERBH	ERBBL	-	SUJ2	SWCH	Trivalent Chromate
ERBZ	-	ERBHZ	-	Antistatic Polyacetal	SUS440C Equivalent (Low Dust Generation)	SUS304 (Low Dust Generation)	-

* ERBZ and ERBHZ use low dust generation grease and the resin section may be discolored due to reactions with ultraviolet, but the functionality will not be affected.
 * Surface resistivity of antistatic polyacetal is $1.5 \times 10^{11} \Omega$ (Temperature 23°C / Humidity 65%)
 * For identification, markings are painted on the side of antistatic polyacetal plastic parts. Wipe off before use.

Straight Bore **Threaded** **Threaded Stud Hex Socket** **Long Threaded Stud**

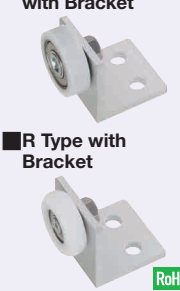


Bearing Accuracy JIS B 1514 Class 0

Part Number	Allowable Load N () indicates SUS304	D	d	R	B	M (Coarse)	L	Hex Socket G	Bearing Used	Unit Price															
										Straight Bore	Threaded Stud	Threaded Stud Hex Socket	Long Threaded Stud												
Straight Bore										ERBS	ERB	ERBZ	ERBBS	ERBB	ERBHS	ERBH	ERBHZ	ERBBL							
Hex Socket																									
ERBS	20	78.4(39.2)	6	6	8		1	2.5	696ZZ																
ERB	22																								
ERBH	24																								
ERBZ	26						0.5																		
Threaded Stud																									
ERBBS	30	176(88)	8	9	12		1	5	608ZZ																
ERBB	35																								
ERBBL	40																								
marked sizes are only available for ERBS, ERB and ERBH.																									
	45	245	10	6	12	8	12	2	6	6200ZZ															
	50																								

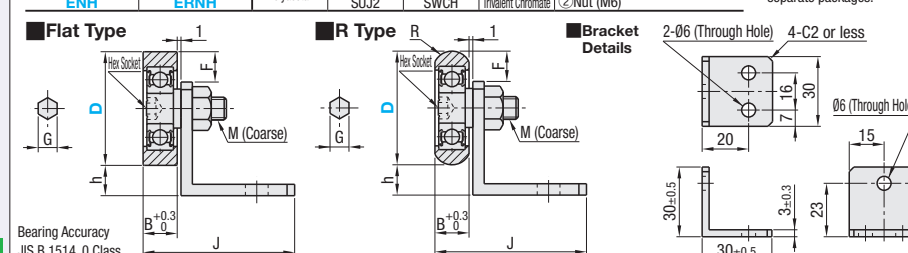
* Plating color may vary depending on production lot but no differences in plating properties. kgf=Nx0.101972
 * For bearing detailed dimensions, see P989, 991.

Flat Type with Bracket



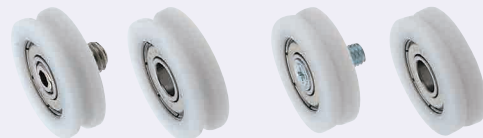
Type		Material		Surface Treatment		Accessory	
Flat	R Type	Surface Plastic	Bearing	Shaft	Shaft	Accessory	
ENHS	-	Polyacetal	SUS440C Equivalent	SUS304 Equivalent	Trivalent Chromate	① Bracket (Clear Anodize) ② Nut (M6)	
ENH	ERNH	-	SUJ2	SWCH	-	-	

Flat Type **R Type** **Bracket Details**



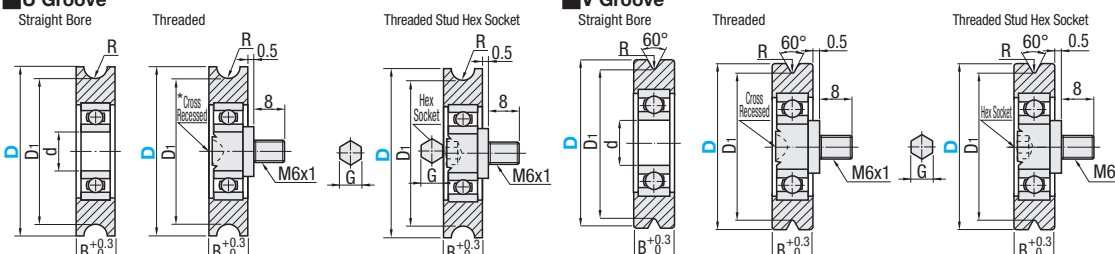
Bearing Accuracy JIS B 1514, 0 Class kgf=Nx0.101972

U Groove **V Groove**



Shape	Type			Material		Surface Treatment	
	Straight Bore	Threaded Stud	Threaded Stud Hex Socket	Bearing	Shaft	Shaft	
U Groove	EUBS	EUBBS	EUBHS	Polyacetal	SUS440C Equivalent	SUS304 Equivalent	-
V Groove	EVB	EVBBS	EVBH	-	-	-	Trivalent Chromate

U Groove **V Groove**




* Only Stainless Steel Type has a straight slot and an undercut at the base of the neck. Bearing Accuracy JIS B 1514, 0 Class

Part Number	Type	Allowable Load N () indicates SUS304	D	d	D1	B	R		Hex Socket G	Bearing Used	Unit Price			
							U Groove	V Groove			Straight Bore	Threaded Stud	Threaded Stud Hex Socket	Long Threaded Stud
Straight Bore											EUBS	EUB	EUBBS	EUBH
Threaded Stud														
Threaded Stud Hex Socket														
EUBS	22	78.4	6	19	7	2.5	0.6	2.5	696ZZ					
EUB	24	(39.2)		21										
EUBBS	30	176	8	27	9			5	608ZZ					
EUBH	35	(88)		31										

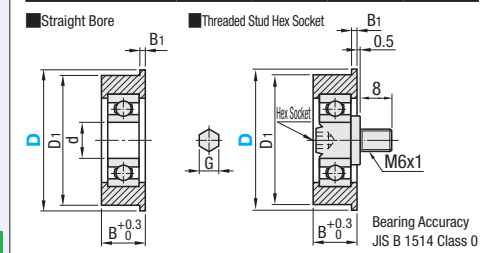
* With the B=7 size U-Groove Threaded Stud Type, the screw head may protrude above the B dimension. * For bearing detailed dimensions, see P989. kgf=Nx0.101972

One Side Flanged



Type		Material		Surface Treatment	
Straight Bore	Threaded Stud Hex Socket	Surface Plastic	Bearing	Shaft	Shaft
EKB	EKBH	Polyacetal	SUJ2	SWCH	Trivalent Chromate

Straight Bore **Threaded Stud Hex Socket**

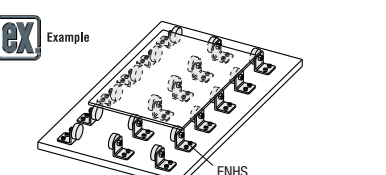


Bearing Accuracy JIS B 1514 Class 0

Part Number	Type	Allowable Load N	D	d	D1	B	B1	Hex Socket G	Bearing Used	Unit Price	
										Straight Bore	Threaded Stud Hex Socket
EKB (Straight Bore)	24	78.4	6	20	7	1.5	2.5	696ZZ	EKB	EKBH	
EKBH (Threaded Stud Hex Socket)	35	176	8	30	9	2	5	608ZZ			

* For bearing detailed dimensions, see P989. kgf=Nx0.101972

Ordering Example Part Number
 EB24
 ERB24
 EUB24
 EKB35



Example ENHS