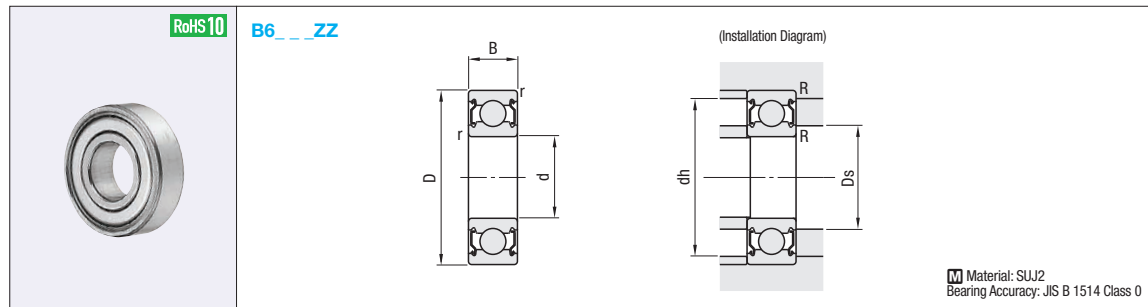


Deep Groove Ball Bearings

Double Shielded



Material: SUJ2
Bearing Accuracy: JIS B 1514 Class 0

Part Number	d	D	B	r (min)	Basic Load Rating		Allowable Rotational Speed rpm (Reference)	Relative Dimensions				Mass (g) (Reference)
					Cr (Dynamic) kN	Cor (Static) kN		Ds (min)	Ds (max)	dh (max)	R (max)	
B6700ZZ	10	15	4	0.2	0.85	0.43	15000	10.4	11.21	14.2	0.2	2
B6800ZZ		19	5	0.3	1.83	0.925	34000	12	12.5	17	0.3	5
B6900ZZ		22	6		2.70	1.27	32000		13	20		9
B6000ZZ		26	8	4.55	1.96	30000	14	13.5	24	19		
B6200ZZ	10	30	9	0.6	5.10	2.39	24000	14	16	26	0.6	32
B6300ZZ		35	11	8.1	3.45	21000	16.5		31	52		
B6701ZZ	12	18	4	0.2	0.92	0.53	13000	12.4	13.86	16.7	0.2	3
B6801ZZ		21	5	0.3	1.92	1.04	32000	14	14.5	19	0.3	6
B6901ZZ		24	6		2.89	1.46	30000		15	22		11
B6001ZZ		28	8	5.10	2.39	27000	16	16	26	21		
B6201ZZ	12	32	10	0.6	6.10	2.75	22000	16	17	28	0.6	37
B6301ZZ		37	12	1	9.7	4.2	19000		17	18	32	1.0
B6702ZZ	15	21	4	0.2	0.93	0.58	11000	15.4	16.86	19.7	0.2	4
B6802ZZ		24	5	0.3	2.08	1.26	27000	17	17.5	22	0.3	7
B6902ZZ		28	7		3.65	2.00	26000		19	20		31
B6002ZZ		32	9	5.60	2.83	23000	19	19	30	30		
B6202ZZ	15	35	11	0.6	7.75	3.60	19000	19	20	31	0.6	45
B6302ZZ		42	13	1	11.4	5.45	17000		20	22.5	37	1.0
B6703ZZ	17	23	4	0.2	1.0	0.65	9500	17.4	18.86	21.1	0.2	4
B6803ZZ		26	5	0.3	2.23	1.46	25000	19	19.5	24	0.3	8
B6903ZZ		30	7		4.65	2.58	23000		20	20		28
B6003ZZ		35	10	6.80	3.35	20000	21	21	33	39		
B6203ZZ	17	40	12	0.6	9.60	4.60	17000	21	23	36	0.6	66
B6303ZZ		47	14	1	13.6	6.65	15000		22	25.5	42	1.0
B6704ZZ	20	27	4	0.2	1.40	0.72	8500	20.4	22.36	25.5	0.2	6
B6804ZZ		32	7	0.3	4.00	2.47	20000	22	22.5	30	0.3	19
B6904ZZ		37	9		6.40	3.70	19000		24	24		35
B6004ZZ		42	12	9.40	5.05	17000	24	26	38	69		
B6204ZZ	20	47	14	1.0	12.80	6.65	14000	25	25	42	1.0	106
B6304ZZ		52	15	1.1	15.9	7.9	13000		26.5	28	45.5	145
B6805ZZ	25	37	7	0.3	4.30	2.95	18000	27	28	35	0.3	22
B6905ZZ		42	9		7.05	4.55	16000		29	29		40
B6005ZZ		47	12	10.10	5.85	15000	29	30.5	43	80		
B6205ZZ		52	15	14.00	7.85	12000	30	32	47	128		
B6305ZZ	25	62	17	1.1	20.6	11.2	11000	31.5	36	55.5	1.0	235
B6806ZZ		42	7	0.3	4.70	3.65	15000		32	33	40	0.3
B6906ZZ	47	9	7.25		5.00	14000	34	34		45	48	
B6006ZZ	30	55	13	1.0	13.20	8.30	12000	35	37	50	1.0	116
B6206ZZ		62	16		19.50	11.30	10000		39	39		57
B6306ZZ		72	19	26.7	15	9200	36.5	42.5	65.5	345		
B6807ZZ		35	47	7	0.3	4.90	4.05	13000	37	38	45	0.3
B6907ZZ	55		10	9.55		6.85	12000	39		40	51	
B6007ZZ	35	62	14	1.0	16.00	10.30	11000	40	42	57	1.0	155
B6207ZZ		72	17		25.70	15.30	9000		41.5	45		65.5
B6307ZZ		80	21	33.5	19.2	8400	43	47	72	469		
B6808ZZ		52	7	0.3	5.10	4.40	12000	42	43	50	0.3	33
B6908ZZ	62	12	12.20		8.90	11000	44		45	58		110
B6008ZZ	40	68	15	1.0	16.80	11.50	9500	45	47	63	1.0	190
B6208ZZ		80	18		29.10	17.80	8200		46.5	51		73.5
B6308ZZ	40	90	23	1.5	40.5	24	7500	48	53	82	1.5	636
B6809ZZ		58	7		6.18	5.38	11000		47	47.5		56
B6909ZZ		68	12	14.1	10.8	9500	49	50	64	126		
B6009ZZ		75	16	20.9	15.2	8800	50	53.5	70	241		
B6209ZZ	45	85	19	1.1	31.5	20.4	7500	51.5	55.5	78.5	1.0	420
B6309ZZ		100	25		53	32	6700		53	61.5		92
B6810ZZ	50	65	7	0.3	6.6	6.09	9500	52	52.5	63	0.3	50
B6910ZZ		72	12		14.5	11.7	9000		54	55		68
B6010ZZ		80	16	21.80	16.60	8300	55.0	57.5	75.0	261		
B6210ZZ		90	20	35.00	23.20	7000	56.5	60.0	83.5	454		
B6310ZZ	110	27	62.0	38	6000	59	68	101	2	1006		

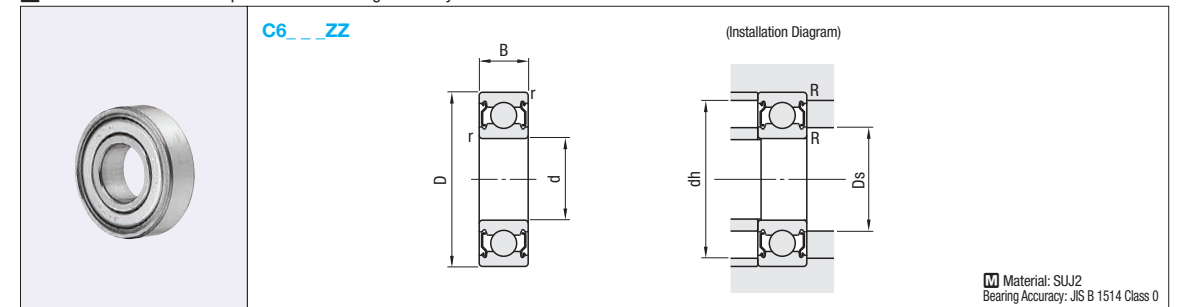
kgf=Nx0.101972



Deep Groove Ball Bearings (Economy)

Double Shielded

Feature: Economical Deep Groove Ball Bearings made by overseas manufacturers.



Material: SUJ2
Bearing Accuracy: JIS B 1514 Class 0

Part Number	d	D	B	r (min)	Basic Load Rating		Allowable Rotational Speed rpm (Reference)	Relative Dimensions				Mass (g) (Reference)
					Cr (Dynamic) kN	Cor (Static) kN		Ds (min)	Ds (max)	dh (max)	R (max)	
C6900ZZ	10	22	6	0.3	2.7	1.27	30000	12	13	20	0.3	9
C6000ZZ		26	8		4.55	1.97	29000		13.5	24		18
C6200ZZ		30	9	0.6	5.1	2.39	25000	14	16	26	0.6	32
C6300ZZ		35	11		8.2	3.5	23000		17	31		53
C6901ZZ	12	24	6	0.3	2.89	1.46	27000	14	15	22	0.3	11
C6001ZZ		28	8		5.1	2.39	26000		16	26		22
C6201ZZ	12	32	10	0.6	6.8	3.05	22000	16	17	28	0.6	37
C6301ZZ		37	12		9.7	4.2	20000		18.5	32		60
C6902ZZ		28	7	0.3	3.65	2	24000	17	17.5	26	0.3	16
C6002ZZ		32	9		5.6	2.83	22000		19	30		30
C6202ZZ	15	35	11	0.6	7.75	3.6	19000	19	20	31	0.6	45
C6302ZZ		42	13		11.4	5.45	17000		20	23		37
C6903ZZ	17	30	7	0.3	4.65	2.58	22000	19	20	28	0.3	18
C6003ZZ		35	10		6.8	3.35	20000		21	33		39
C6203ZZ		40	12	0.6	9.6	4.6	18000	21	23	36	0.6	66
C6303ZZ		47	14		13.5	6.55	16000		22	25		42
C6904ZZ	20	37	9	0.3	6.4	3.7	19000	22	24	35	0.3	36
C6004ZZ		42	12		9.4	5.05	18000		24	26		38
C6204ZZ	20	47	14	1	12.8	6.6	16000	25	26	42	1	106
C6304ZZ		52	15		15.9	7.9	14000		26.5	28.5		45.5
C6905ZZ		42	9	0.3	7.05	4.55	16000	27	29	40	0.3	42
C6005ZZ		47	12		10.1	5.85	15000		29	30		43
C6205ZZ	25	52	15	1	14	7.85	13900	30	32	47	1	128
C6305ZZ		62	17		21.2	10.9	12000		31.5	35		55.5
C6906ZZ	30	47	9	0.3	7.25	5	14000	32	34	45	0.3	48
C6006ZZ		55	13		13.2	8.3	13000		35	37		50
C6206ZZ		62	16	1	19.5	11.3	11000	35	39	57	1	199
C6306ZZ		72	19		26.7	15	10000		36.5	43		65.5

kgf=Nx0.101972



Why Economy Type is recommended?

Economy Type is also in high quality.

Causes for bearing problems can be detected by performing Anderson Inspection. Economy Type shows equivalent actual Anderson values in comparison with our Standard products.

What is Anderson Inspection?

This inspection measures the bearing's rotational vibrations in (L, H, M) frequency spectra to determine the bearing's performance. The inspection is used on all the finished bearings produced by domestic manufacturers, serving the purpose of removing bearing initial defects.



MISUMI's Economy Type Bearings are all subject to Anderson Inspection.

Anderson Value Comparison of Current MISUMI Standard Products and Current Economy Type



For details of Economy Type, see P.873.