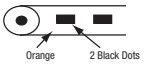


IEEE1284 Half Pitch Connector Cable

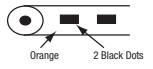
Series Common Product Page 769 ~ 777

Connector Included Cable Documents

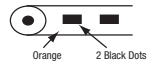
When selecting 14-core

CN1	Wire Core Identification	CN2
Pin No.	Example: Pin No. 6, Orange / Black 2	Pin No.
		
	Pair No. Cable Color Line Color	
1	Orange Black 1	1
8	Orange Red 1	8
2	Gray Black 1	2
9	Gray Red 1	9
3	White Black 1	3
10	White Red 1	10
4	Yellow Black 1	4
11	Yellow Red 1	11
5	Pink Black 1	5
12	Pink Red 1	12
6	Orange Black 2	6
13	Orange Red 2	13
7	Gray Black 2	7
14	Gray Red 2	14
Hood	Shield	Hood / Terminal

When selecting 26-core

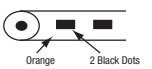
CN1	Wire Core Identification	CN2
Pin No.	Example: Pin No. 6, Orange / Black 2	Pin No.
		
	Pair No. Cable Color Line Color	
1	Orange Black 1	1
14	Orange Red 1	14
2	Gray Black 1	2
15	Gray Red 1	15
3	White Black 1	3
16	White Red 1	16
4	Yellow Black 1	4
17	Yellow Red 1	17
5	Pink Black 1	5
18	Pink Red 1	18
6	Orange Black 2	6
19	Orange Red 2	19
7	Gray Black 2	7
20	Gray Red 2	20
8	White Black 2	8
21	White Red 2	21
9	Yellow Black 2	9
22	Yellow Red 2	22
10	Pink Black 2	10
23	Pink Red 2	23
11	Orange Black 3	11
24	Orange Red 3	24
12	Gray Black 3	12
25	Gray Red 3	25
13	White Black 3	13
26	White Red 3	26
Hood	Shield	Hood / Terminal

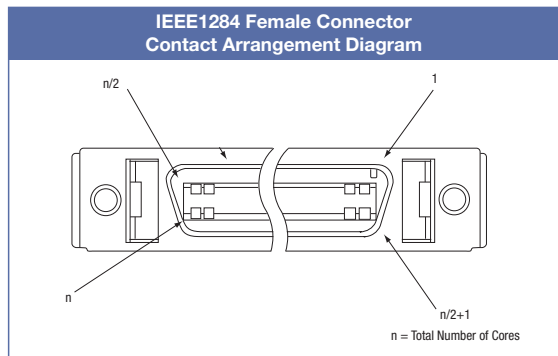
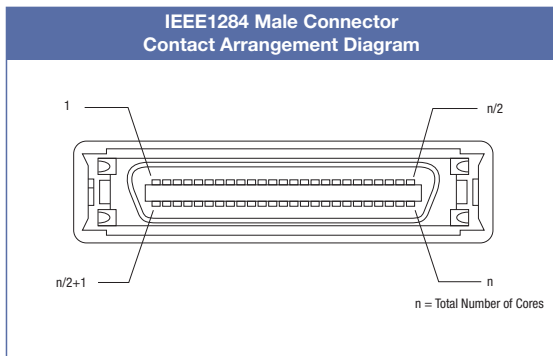
When selecting 36-core

CN1	Wire Core Identification	CN2
Pin No.	Example: Pin No. 6, Orange / Black 2	Pin No.
		
	Pair No. Cable Color Line Color	
1	Orange Black 1	1
19	Orange Red 1	19
2	Gray Black 1	2
20	Gray Red 1	20
3	White Black 1	3
21	White Red 1	21
4	Yellow Black 1	4
22	Yellow Red 1	22
5	Pink Black 1	5
23	Pink Red 1	23
6	Orange Black 2	6
24	Orange Red 2	24
7	Gray Black 2	7
25	Gray Red 2	25
8	White Black 2	8
26	White Red 2	26
9	Yellow Black 2	9
27	Yellow Red 2	27
10	Pink Black 2	10
28	Pink Red 2	28
11	Orange Black 3	11
29	Orange Red 3	29
12	Gray Black 3	12
30	Gray Red 3	30
13	White Black 3	13
31	White Red 3	31
14	Yellow Black 3	14
32	Yellow Red 3	32
15	Pink Black 3	15
33	Pink Red 3	33
16	Orange Black 4	16
34	Orange Red 4	34
17	Gray Black 4	17
35	Gray Red 4	35
18	White Black 4	18
36	White Red 4	36
Hood	Shield	Hood / Terminal

Note) IHSK Series Connection Diagram is on 1049

When selecting 20-core

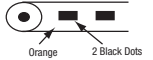
CN1	Wire Core Identification	CN2
Pin No.	Example: Pin No. 6, Orange / Black 2	Pin No.
		
	Pair No. Cable Color Line Color	
1	Orange Black 1	1
11	Orange Red 1	11
2	Gray Black 1	2
12	Gray Red 1	12
3	White Black 1	3
13	White Red 1	13
4	Yellow Black 1	4
14	Yellow Red 1	14
5	Pink Black 1	5
15	Pink Red 1	15
6	Orange Black 2	6
16	Orange Red 2	16
7	Gray Black 2	7
17	Gray Red 2	17
8	White Black 2	8
18	White Red 2	18
9	Yellow Black 2	9
19	Yellow Red 2	19
10	Pink Black 2	10
20	Pink Red 2	20
Hood	Shield	Hood / Terminal




IEEE1284 Half Pitch Connector Cable

Series Common Product Page 769 ~ 777

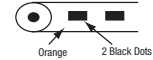
When selecting 40-core

CN1	Wire Core Identification	CN2
Pin No.	Example: Pin No. 6, Orange / Black 2	Pin No.
		
Pair No.	Cable Color	Line Color
1	Orange	Black 1
21	Orange	Red 1
2	Gray	Black 1
22	Gray	Red 1
3	White	Black 1
23	White	Red 1
4	Yellow	Black 1
24	Yellow	Red 1
5	Pink	Black 1
25	Pink	Red 1
6	Orange	Black 2
26	Orange	Red 2
7	Gray	Black 2
27	Gray	Red 2
8	White	Black 2
28	White	Red 2
9	Yellow	Black 2
29	Yellow	Red 2
10	Pink	Black 2
30	Pink	Red 2
11	Orange	Black 3
31	Orange	Red 3
12	Gray	Black 3
32	Gray	Red 3
13	White	Black 3
33	White	Red 3
14	Yellow	Black 3
34	Yellow	Red 3
15	Pink	Black 3
35	Pink	Red 3
16	Orange	Black 4
36	Orange	Red 4
17	Gray	Black 4
37	Gray	Red 4
18	White	Black 4
38	White	Red 4
19	Yellow	Black 4
39	Yellow	Red 4
20	Pink	Black 4
40	Pink	Red 4
Hood	Shield	Hood / Terminal

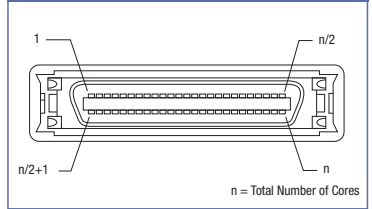
When selecting 50-core

CN1	Wire Core Identification	CN2
Pin No.	Example: Pin No. 6, Orange / Black 2	Pin No.
		
Pair No.	Cable Color	Line Color
1	Orange	Black 1
26	Orange	Red 1
2	Gray	Black 1
27	Gray	Red 1
3	White	Black 1
28	White	Red 1
4	Yellow	Black 1
29	Yellow	Red 1
5	Pink	Black 1
30	Pink	Red 1
6	Orange	Black 2
31	Orange	Red 2
7	Gray	Black 2
32	Gray	Red 2
8	White	Black 2
33	White	Red 2
9	Yellow	Black 2
34	Yellow	Red 2
10	Pink	Black 2
35	Pink	Red 2
11	Orange	Black 3
36	Orange	Red 3
12	Gray	Black 3
37	Gray	Red 3
13	White	Black 3
38	White	Red 3
14	Yellow	Black 3
39	Yellow	Red 3
15	Pink	Black 3
40	Pink	Red 3
16	Orange	Black 4
41	Orange	Red 4
17	Gray	Black 4
42	Gray	Red 4
18	White	Black 4
43	White	Red 4
19	Yellow	Black 4
44	Yellow	Red 4
20	Pink	Black 4
45	Pink	Red 4
21 Pairs	Orange	Black continuous
46	Orange	Red continuous
22 Pairs	Gray	Black continuous
47	Gray	Red continuous
23 Pairs	White	Black continuous
48	White	Red continuous
24 Pairs	Yellow	Black continuous
49	Yellow	Red continuous
25 Pairs	Pink	Black continuous
50	Pink	Red continuous
Hood	Shield	Hood / Terminal

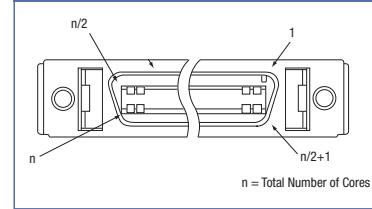
When selecting 68-core

CN1	Wire Core Identification	CN2
Pin No.	Example: Pin No. 6, Orange / Black 2	Pin No.
		
Pair No.	Cable Color	Line Color
1	Orange	Black 1
35	Orange	Red 1
2	Gray	Black 1
36	Gray	Red 1
3	White	Black 1
37	White	Red 1
4	Yellow	Black 1
38	Yellow	Red 1
5	Pink	Black 1
39	Pink	Red 1
6	Orange	Black 2
40	Orange	Red 2
7	Gray	Black 2
41	Gray	Red 2
8	White	Black 2
42	White	Red 2
9	Yellow	Black 2
43	Yellow	Red 2
10	Pink	Black 2
44	Pink	Red 2
11	Orange	Black 3
45	Orange	Red 3
12	Gray	Black 3
46	Gray	Red 3
13	White	Black 3
47	White	Red 3
14	Yellow	Black 3
48	Yellow	Red 3
15	Pink	Black 3
49	Pink	Red 3
16	Orange	Black 4
50	Orange	Red 4
17	Gray	Black 4
51	Gray	Red 4
18	White	Black 4
52	White	Red 4
19	Yellow	Black 4
53	Yellow	Red 4
20	Pink	Black 4
54	Pink	Red 4
21 Pairs	Orange	Black continuous
55	Orange	Red continuous
22 Pairs	Gray	Black continuous
56	Gray	Red continuous
23 Pairs	White	Black continuous
57	White	Red continuous
24 Pairs	Yellow	Black continuous
58	Yellow	Red continuous
25 Pairs	Pink	Black continuous
59	Pink	Red continuous
26 Pairs	Orange	Long Red 1
60	Orange	Long Red 1
27 Pairs	Gray	Long Black 1
61	Gray	Long Red 1
28 Pairs	White	Long Black 1
62	White	Long Red 1
29 Pairs	Yellow	Long Black 1
63	Yellow	Long Red 1
30 Pairs	Pink	Long Black 1
64	Pink	Long Red 1
31 Pairs	Orange	Long Black 2
65	Orange	Long Red 2
32 Pairs	Gray	Long Black 2
66	Gray	Long Red 2
33 Pairs	White	Long Black 2
67	White	Long Red 2
34 Pairs	Yellow	Long Black 2
68	Yellow	Long Red 2
Hood	Shield	Hood / Terminal

IEEE1284 Male Connector Contact Arrangement Diagram



IEEE1284 Female Connector Contact Arrangement Diagram



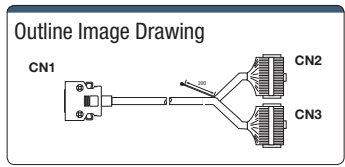
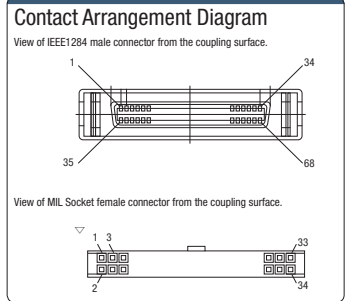
IEEE1284 Half Pitch Connector Cable

▼ SHPT-HM34SB-□-68, SHPT-HM34SB-□-68 (Male / MIL Socket Connector 2 Branches)

SHP*-HM34SB-A-68

Product Page [773](#)

CN1 Pin No.	CN2 Pin No.	CN1 Pin No.	CN3 Pin No.
1	1	35	1
2	2	36	2
3	3	37	3
4	4	38	4
5	5	39	5
6	6	40	6
7	7	41	7
8	8	42	8
9	9	43	9
10	10	44	10
11	11	45	11
12	12	46	12
13	13	47	13
14	14	48	14
15	15	49	15
16	16	50	16
17	17	51	17
18	18	52	18
19	19	53	19
20	20	54	20
21	21	55	21
22	22	56	22
23	23	57	23
24	24	58	24
25	25	59	25
26	26	60	26
27	27	61	27
28	28	62	28
29	29	63	29
30	30	64	30
31	31	65	31
32	32	66	32
33	33	67	33
34	34	68	34
		Hood	Shield
			Round Terminal



Connector Included Cable Documents

Connector Included Cable