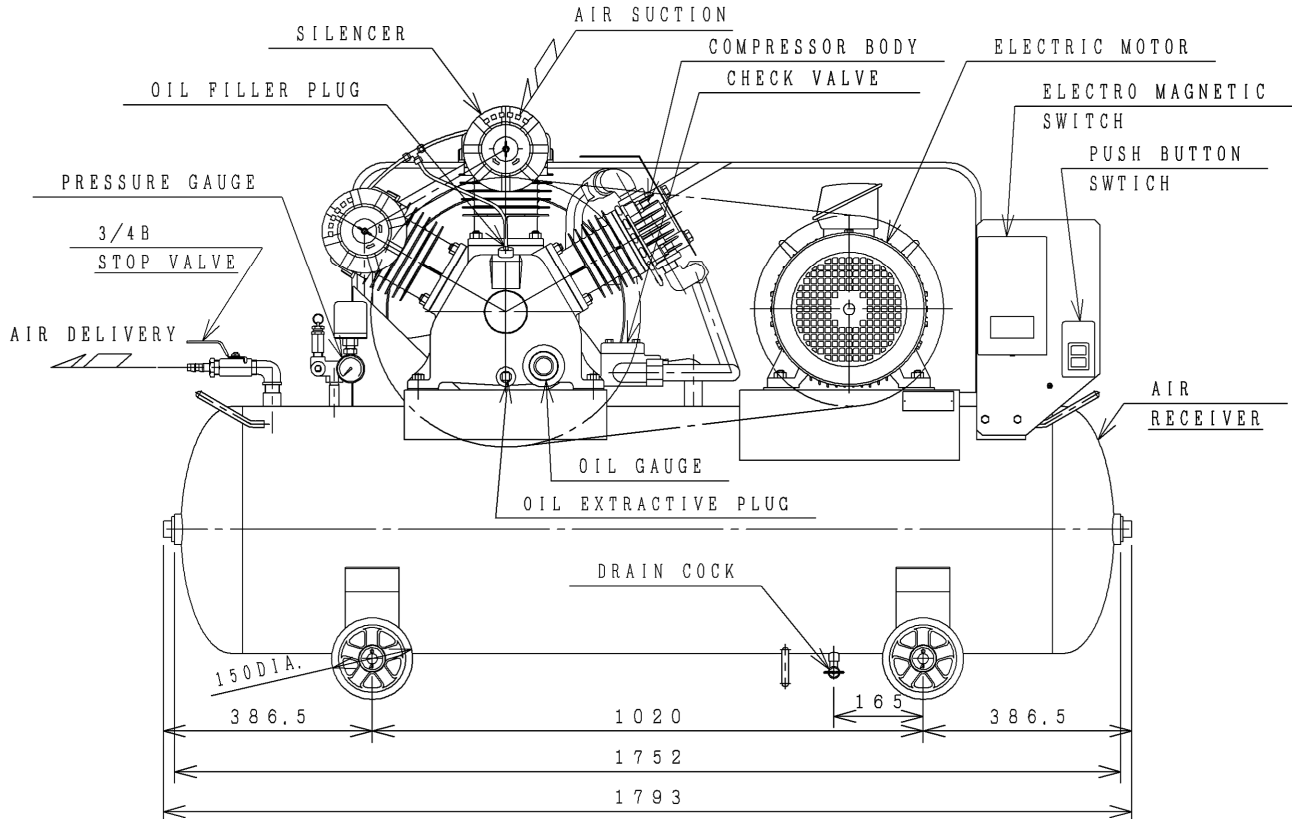
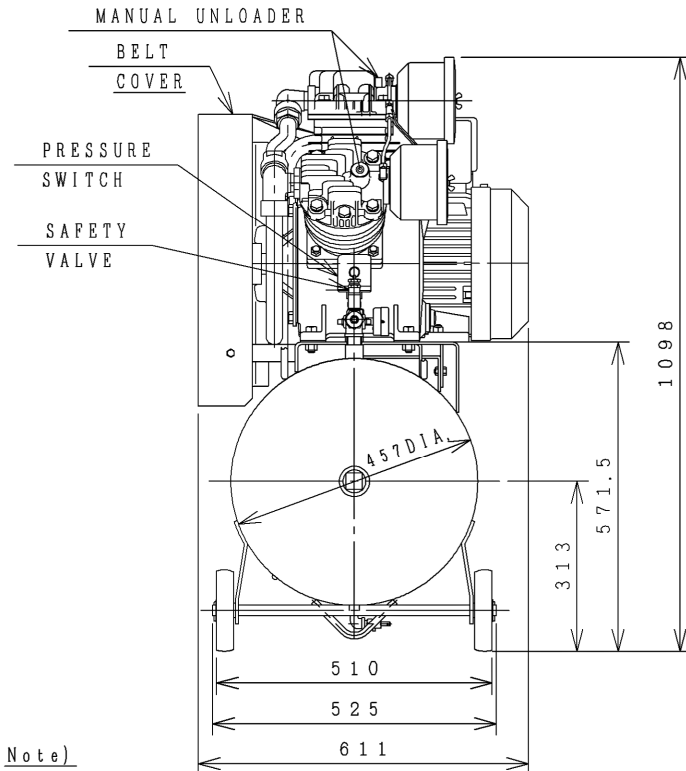


ORDER No.	CUSTOMER
-----------	----------

PRIMARY VOLTAGE (V)	380 (50Hz)	415 (50Hz)
APPLICATION	↑	



Note)

- 1) Use the compressor at a place where ambient temperature is 0 to 40 degrees C.
- 2) The capacity of compressed air is the amount of air discharged under the maximum pressure converted in terms air suction (under the atmospheric pressure).
- 3) This compressor series is not available for direct use of breathing air.

COMPRESSOR BODY			ELECTRIC MOTOR	
CYLINDER DIA.	mm	(LOW) 105 (HIGH) 82	TYPE	TFO-KK
STROKE	mm	85	OUTPUT	11 kW 3φ
NO. OF CYLINDER		(LOW) 2 (HIGH) 1	REVOLUTIONS (50Hz) min <sup>-1</sup>	1450
MAX. PRESSURE	MPa	0.93	POLES (P)	4
REVOLUTIONS	min <sup>-1</sup>	1050	AIR RECEIVER	
CAPACITY	L/min	1200	DIAMETER	mm
V-BELT (50Hz)		5V-1060×1	LENGTH	mm
NET WEIGHT	kg	308	CAPACITY	L
				250

Painting color: BEBICON Gray

11 kW BEBICON		<b>Hitachi Industrial Equipment Systems Co., Ltd.</b>	
11 P-9.5 V5 A			
DRAWN	N. Narisawa	Apr. 21. '17	SCALE
CHECKED	-	-	N: S
APPROVED	D. Takahashi	Apr. 21. '17	
8 K - 4 9 8 9 ~ 1			