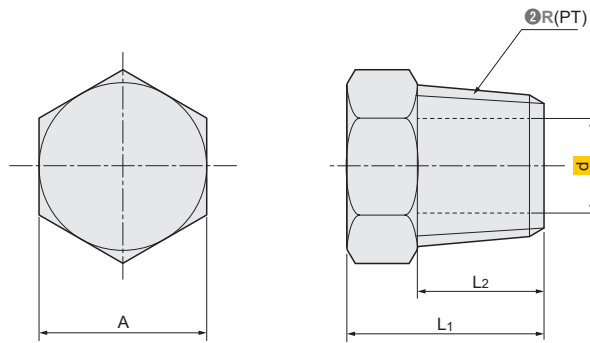


P.1149 <drawing, spec. table>

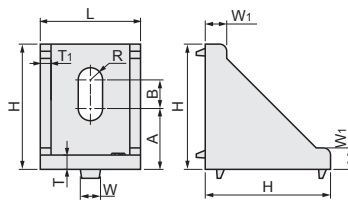


Part Number		Thread Size R	L ₁	L ₂	A	d
① Type	② Connecting Thread Nominal R					
E-PACK-MSFPZ (SUS304)	1	R1/8	12.5	7.5	12	6
	2	R1/4	14.5	9.5	14	8
E-PACK-MSSPZ (SUS316) (20 pcs included)	3	R3/8	15.5	10.5	17	10.6
	4	R1/2	17.5	12.5	21	14.5

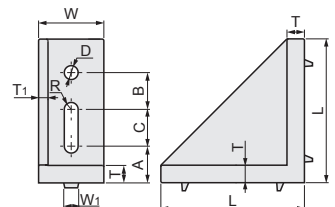
P.1215 <drawing>



Two-Sided Type 6-2028 / 8-3030 / 8-4040 / 10-4545



One-Sided Type 8-3060 / 8-4080 / 10-4590



P.1216 <alterations>

Alterations	Code	Spec.
Mounting Hole Alteration for Panel	C	Add Taps on a bracket for Panel mounting. 6-2020 8-3030 / 8-4040 / 10-4545

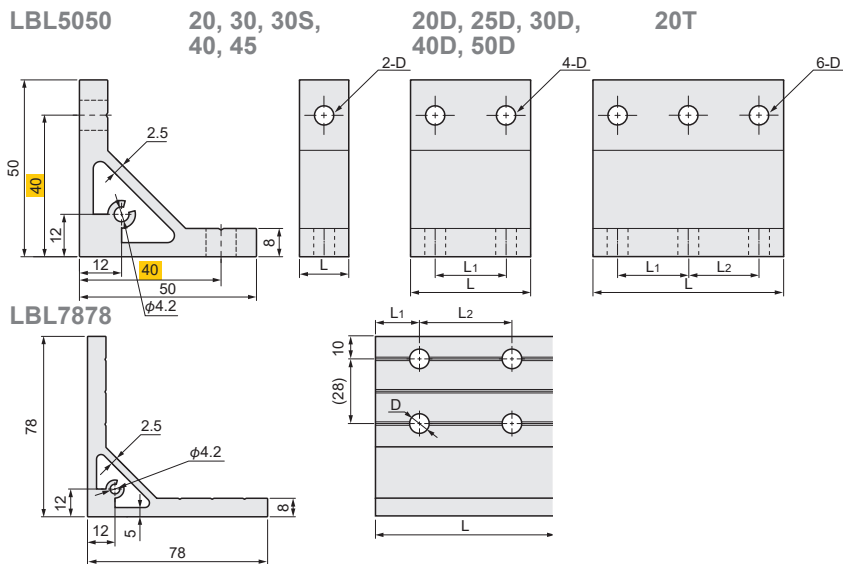
P.1218 <alterations>

Alterations	Code	Spec.
Mounting Hole Alteration for Panel	C	Add Taps on a bracket for Panel mounting. 6-2020 8-3030 / 8-4040 / 10-4545

P.1220 <alterations>

Alterations	Code	Spec.
Mounting Hole Alteration for Panel	C	Add Taps on a bracket for Panel mounting. 6-2020 8-3030 / 8-4040 / 10-4545 / 8-6060 / 8-2858L(R) / 8-3680L(R) 10-4288L(R)

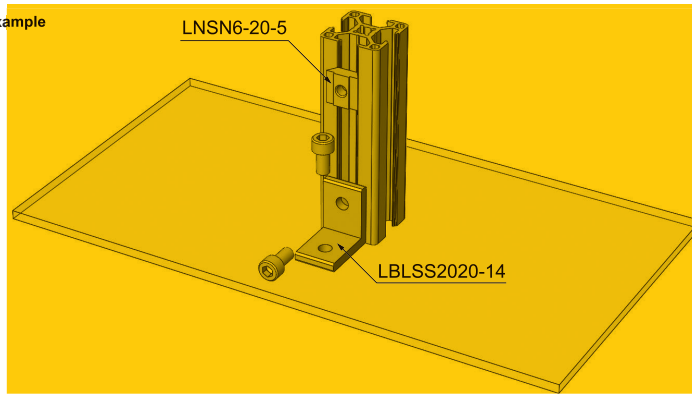
P.1221 <drawing>



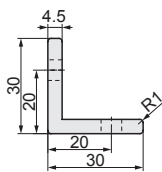
P.1222 <example>



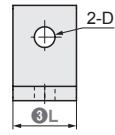
Example



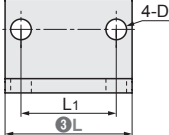
P.1223 <drawing, spec. table, example>



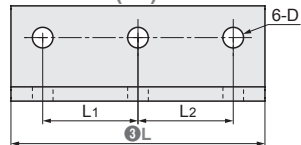
L(20)



L(50)



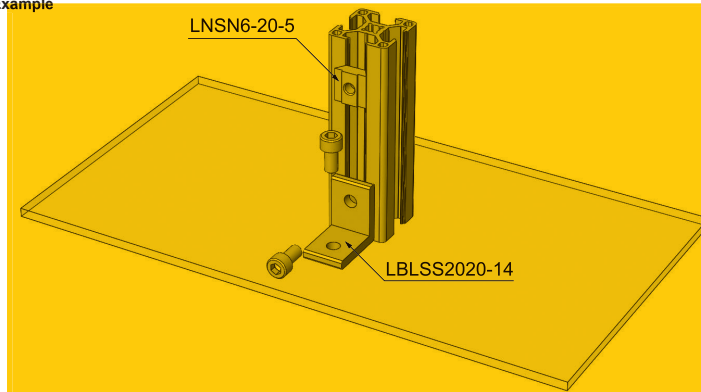
L(80)



Part Number		③L	Applicable Frame Size	L1	L2	D
①Type	②No.					
LBLSS	3030	20	3030	-	-	φ6.5
		50	3060	30	-	
		80	3090	30	30	



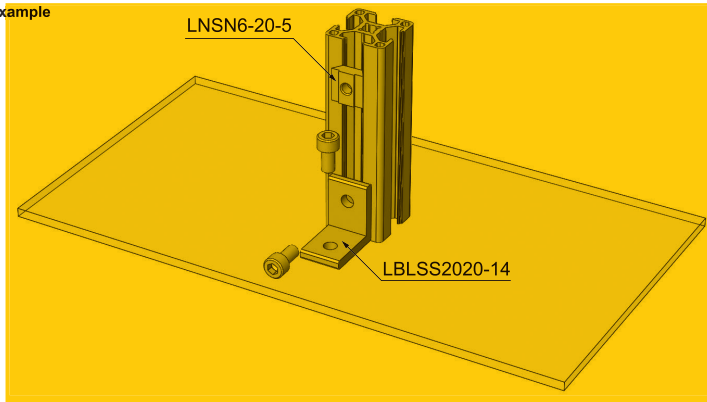
Example



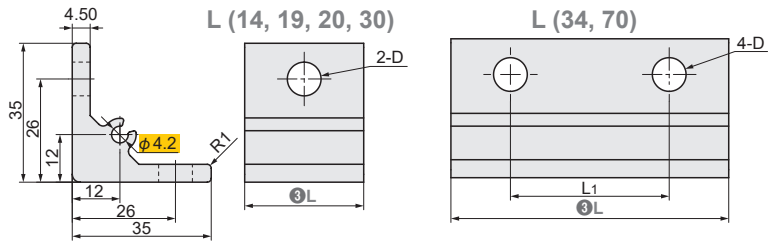
P.1224 <example>



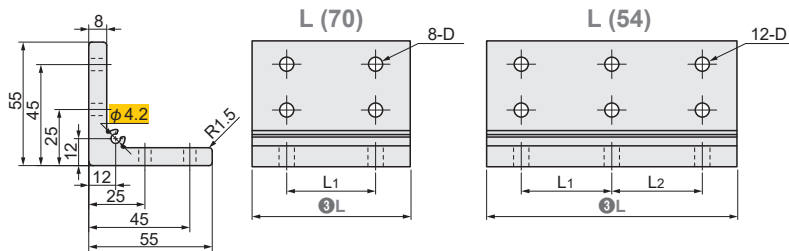
Example



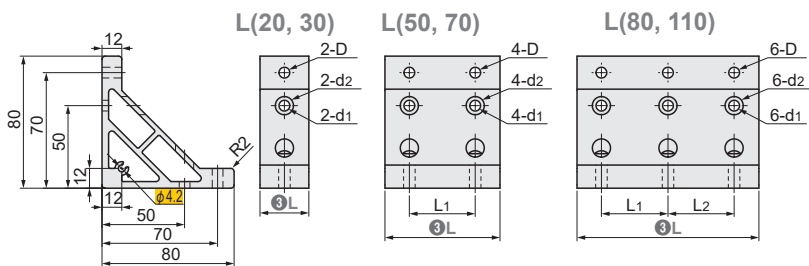
P.1225 <drawing>



P.1226 <drawing>



P.1227 <drawing>



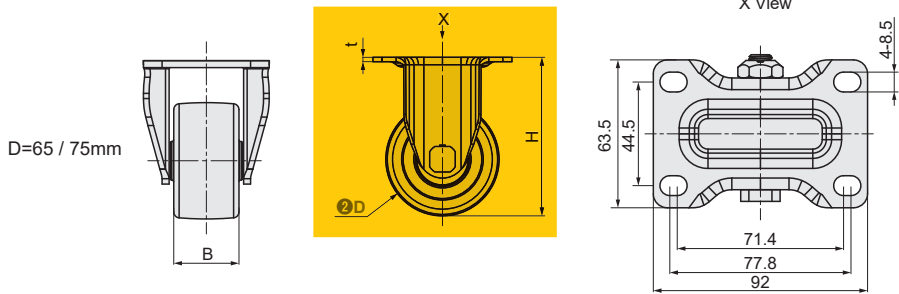
P.1258 <spec. table>

①Type	Part Number Types	②Slot Width	③Applicable Frame	④Color	⑤QTY per Package	Width A	Length B	Thickness C	Applicable Frame		
LCEC	Square Shape	6	2020	B (Black)	20P	20	-	3	2020		
			3030			30			3030		
			4040			40			4040		
			5050			50			8-5050		
		8	6060		60	8-6060					
			8080		80	8080					
			4545		45	4545					
			5050		50	10-5050					
	10	6060	60		10-6060						
		9090	90		9090						
		Rectangle Shape	6		2040	G (Light Grey)	20P	20	40	3	2040
					3060			30	3060		
	4060				40			4060			
	4080				80			4080			
	8		4560		60		4560				
			4590		60		4590				
10			2020	20P	45		-	90	4	2020R	
			3030							3030R	
	4040	4040R									
	4545	4545R									
LCECR	Single Radius Shape	6	2020	20P	20	-	3	2020R			
		8	3030	10P	30		3030R				
LCEC	L Shape	10	4545	20P	40	40	4	4040R			
		8	8840		45			4545R			
					20P	88		8840			

⚠ Light gray models are only available for 2020, 3030, 4040 and 4080 types and are sold in 20P packages. Light gray for other models can also be specially ordered if necessary, with a minimum order quantity of 50 pcs, for example: LCEC8-4060-G.

Ⓟ P is the abbreviation of pcs/package, for example: 20P represents 20 pcs/package.

P.1316 <drawing>



P.1317 <drawing>

