



DATE MARKED PIN SETS

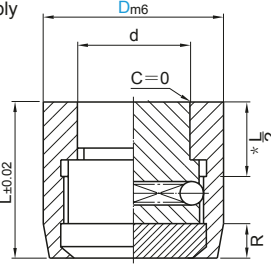
Green character items
now kept in stock.

 Stock Items in Thailand

Inner / outer inserts are undetachable


Assembly



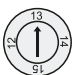
* Dm6 Guaranteed length range $\geq L/2$


Dm6	d	L	R
3			
4	+0.012 +0.004	1.9	≤ 1
5		2.3	
6	+0.012 +0.004	2.9	
8	+0.015 +0.006	3.9	8
10		4.9	10
12	+0.018 +0.007	5.5	12
16		7.4	14
20	+0.021 +0.008	8.7	16

YY · MM Stamp

Explicit Identification	Model		Year	U/price
	Type	D		
YY-MM 	C-DTBB (Standard Type)	3	13 For use in 2013	Quotation via WOS
		4		
		5		
		6		
		8		
		10		
		12		
C-DTBBU (Shallow Arrow Type)	10	14 For use in 2014	Available from September 14	
	12			
	16			
	20			


YY · MM Stamp

Explicit Identification	Model		Year	U/price
	Type	D		
4 Year Type 	C-DT (Standard Type)	3	13 For use in 2013~2016	Quotation via WOS
		4		
		5		
		6		
		8		
		10		
		12		
C-DTDU (Shallow Arrow Type)	10	14 For use in 2014~2017		
	12			
	16			
	20			

Explicit Identification	Model		Year	U/price
	Type	D		
6 Year Type 	C-DTS (Standard Type)	3	13 For use in 2013~2018	Quotation via WOS
		4		
		5		
		6		
		8		
		10		
		12		
C-DTSU (Shallow Arrow Type)	10	14 For use in 2014~2019	Available from September 14	
	12			
	16			
	20			

Order  Part Number — L  Delivery  1 Day

C-DTBB 16 — 12
C-DTF 8






Price  Contact Information for Inquiry
WOS: <http://th.misumi-ec.com/>
TEL: 038-959-200 FAX: 038-959-202

Quantity discount rate

Quantity	1~9	10~19	20~49	≥ 50
Rate	—	5%	10%	15%

 To be quoted on price & lead time above Max. Q'ty

MM · DD · Blank Stamp

Explicit Identification	Model		U/price
	Type	D	
Month 	C-DTD (Standard Type)	3	Quotation via WOS
		4	
		5	
		6	
		8	
		10	
		12	
C-DTDU (Shallow Arrow Type)	10		
	12		
	16		
	20		
	20		
Date (Units' Digit) 	C-DTE (Standard Type)	3	Quotation via WOS
		4	
		5	
		6	
		8	
		10	
		12	
C-DTEU (Shallow Arrow Type)	10		
	12		
	16		
	20		
	20		
Date (Units' Digit) 	C-DTF (Standard Type)	3	Quotation via WOS
		4	
		5	
		6	
		8	
		10	
		12	
C-DTFU (Shallow Arrow Type)	10		
	12		
	16		
	20		
	20		
Date 	C-DTG (Standard Type)	3	Quotation via WOS
		4	
		5	
		6	
		8	
		10	
		12	
Blank 	C-DTN (Standard Type)	3	Quotation via WOS
		4	
		5	
		6	
		8	
		10	
		12	
16			
20			

***Date Marked Pin Sets บางขนาดที่อยู่ในกรอบสีเทายังไม่จำหน่ายในประเทศไทย หากท่านมีความประสงค์ให้มิซูมิ

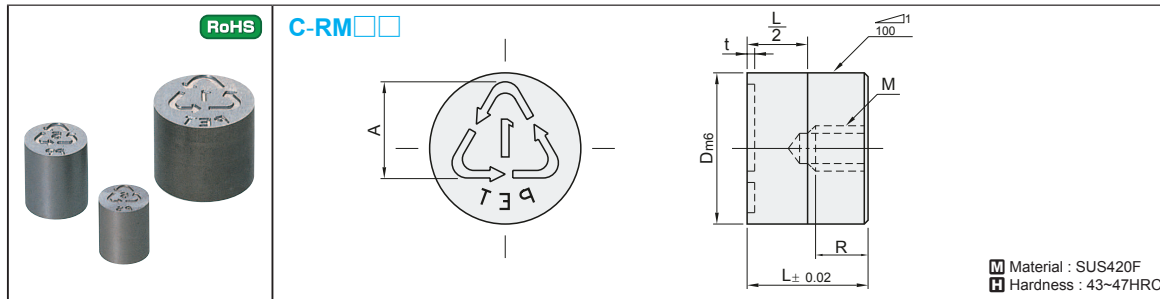
จัดเก็บสินค้าเพื่อจำหน่ายในประเทศไทย กรุณาแจ้งความจำนงได้ที่... E-mail address: Moldsales@misumi.co.th

Dear value customer, some **Date Marked Pin Sets** diameter and size in grey boxes are not available in Thailand. If you would like MISUMI to stock any particular specification please contact us at... E-mail address: Moldsales@misumi.co.th




RECYCLE MARKED PINS

Green character items
now kept in stock.

 Stock Items in Thailand



L	M	R	A	t	Model		U/price
					Type	D	
10	M4	5	5	0.2	C-RM1J	C-RM1E	8
					C-RM2J	C-RM2E	
12	M5	7	6	0.3	C-RM3J	C-RM3E	
					C-RM4J	C-RM4G	
14	M6	7	10	0.3	C-RM5J	C-RM4F	
16	M6	8	12	0.3	C-RM6J	C-RM7E	20
					C-RM7J		

 Order **C-RM1J8**  Delivery **1** Day
 Price
 Contact Information for Inquiry
WOS: <http://th.misumi-ec.com/>
 TEL: 038-959-200 FAX: 038-959-202
Quantity discount rate

Quantity	1-9	10-19	20-49	≥50
Rate	-	5%	10%	15%

- In Use**
 - Mark on forming products to facilitate raw material identification when recycling and improve recycle efficiency.
 - Formed characters are raised. (Relievo characters)
- Installation Method**
 - Machine reamer hole (H7 tolerance) on formwork and slightly knock it into the hole with wooden hammer.
 - Tighten it with screws after mark location is confirmed.

Applicable Resins	American SPI Spec.	German / French Specifications (Reference to American SPI)
Type	C-RM1J	C-RM1E
Polyethylene Terephthalate		
Type	C-RM2J	C-RM2E
High Density Polyethylene (HDPE)		
Type	C-RM3J	C-RM3E
Polyvinyl Chloride (PVC)		
Type	C-RM4J	C-RM4G (German) C-RM4F (French)
Low Density Polyethylene (LDPE)		
Type	C-RM5J	C-RM5J (Same as American SPI)
Polypropylene		
Type	C-RM6J	C-RM6J (Same as American SPI)
Polystyrene		
Type	C-RM7J	C-RM7E
Other Resins		

***Recycle Marked Pins บางขนาดที่อยู่ในกรอบสีเทายังไม่จำหน่ายในประเทศไทย หากท่านมีความประสงค์ให้มิซูมิ จัดเก็บสินค้าเพื่อจำหน่ายในประเทศไทย กรุณาแจ้งความจำนงได้ที่... E-mail address: Moldsales@misumi.co.th

Dear value customer, some **Recycle Marked Pins** diameter and size in grey boxes are not available in Thailand. If you would like MISUMI to stock any particular specification please contact us at... E-mail address: Moldsales@misumi.co.th