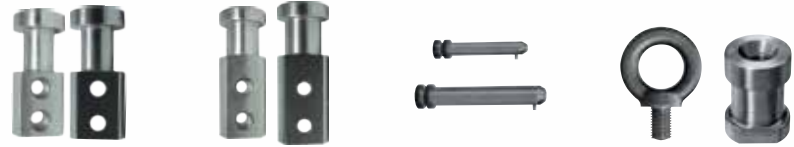


吊り具部品
COMPONENTS FOR LIFTING

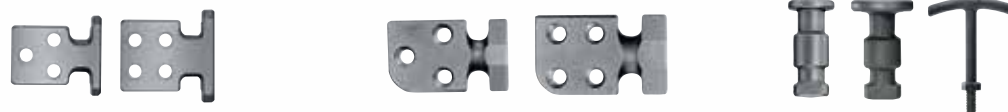
COMPONENTS FOR LIFTING
吊り具部品



PRODUCT NAME Catalog No.	HOOKS YFDEA YFDEB	HOOKS YFDESQ CFGZB	LIFTING BARS HLFB	LIFTING EYE BOLTS / CAST-IN LIFTING BOLTS CHI CSN
PAGE	72	73	74	75



HOOKS CHN CHNL	HOOKS CHPH	HOOKS CHP
76	77	79

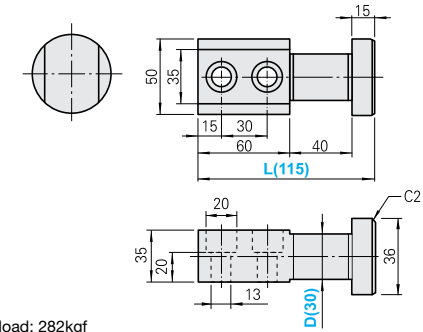


HOOKS CHPL	LIFTING HOOKS, INSERT TYPE CHU□	CAST-IN HOOKS / T-SHAPED BOLTS CHF CHFL TB
80	81	82

吊りフック
HOOKS

Hook

YFDEA



Max. allowable load: 282kgf

Material 40Cr



Order

Catalog No. — L
YFDEA 30 — 115

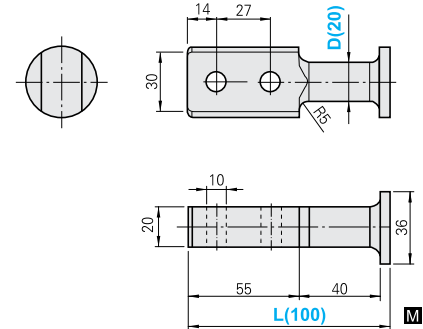


Delivery

Quotation

Hook

YFDEB



Max. allowable load: 125kgf

Material 40Cr
Surface Treatment Rust proofing



Order

Catalog No. — L
YFDEB 20 — 100



Delivery

Quotation