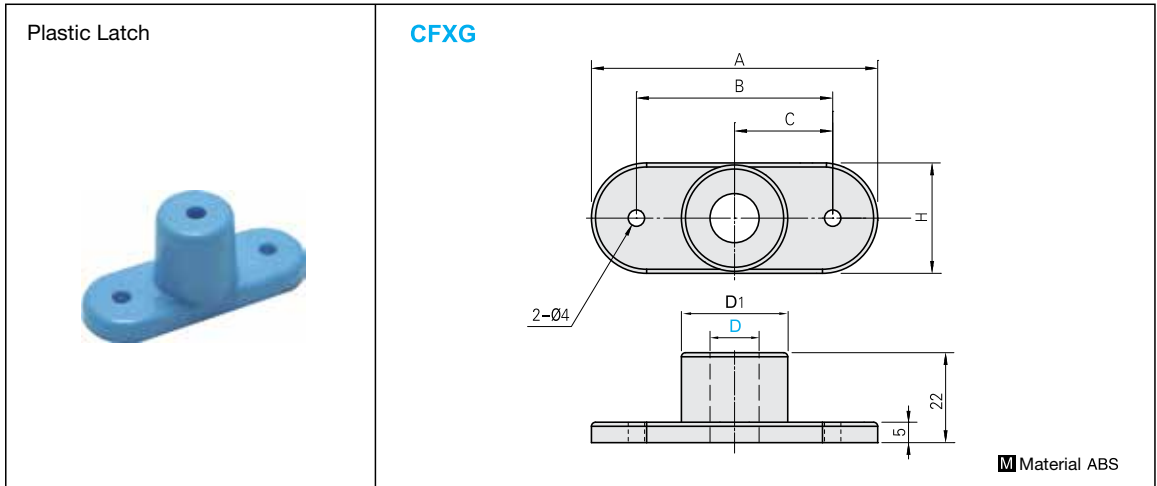


ピンホルダ
PLASTIC LATCH



Catalog No.		A	B	C	D1	H
Type	D					
CFXG	4	50	34	17	16	18
	5		34	17		
	6		36	18		
	8		36	18		
	10	60	40	20	20	22
12	70	40	20	26	27	

Order

 Delivery **Quotation**

INSPECTION PIN & BUSH

