

# Rotary Nozzles / Flow Rate Control Nozzles

# Conical Spray Air Nozzles / Radial Air Nozzles

**Rotary Nozzles**

Type	Material	Heat Resistance Temp.
SPNZ	Body: SUS304 Nozzle: A2017 Mini Gasket: NBR Bearing: Retaining Ring	60°C

**Features**  
Blow the air while rotating.  
The internal bearing rotates by the moment force generated by compressed air.  
More powerful air blow than usual is possible by rotating.

**Tip Shape A** **B** **C**

RoHS 10

Part Number		Orifice	T	Air Flow Rate NL/min (for 0.3MPa)	Weight (g)	Unit Price 1 ~ 4 pc(s).	Volume Discount Rate		
Type	Tip Shape						5~9	10~19	20~30
SPNZ	A (Narrow Angle) B (Wide Angle) C (Side)	3-Ø1.2	R1/8	110	28				

Ordering Example: Part Number - Tip Shape  
SPNZ - A

For orders larger than indicated quantity, please check with WOS.

**Flow Rate Control Nozzle**

Type	Material	Heat Resistance Temp.
AFCS	Body: SUS304 Nozzle: SUS304 O-Ring: NBR Nut: SUS304	60°C

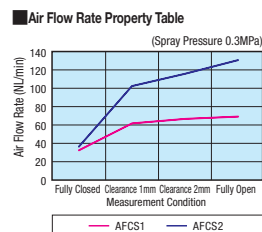
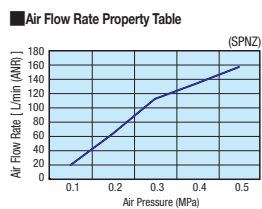
**Features**  
Air Nozzles with Flow Rate Adjustable  
Can be narrowed down without Speed Controller.  
Can be fixed at an arbitrary position with built-in Locking Mechanism.

RoHS 10

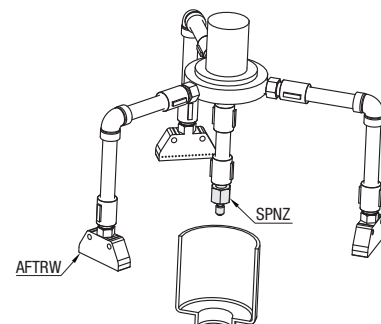
Part Number		T	M	d	L		W	Weight (g)	Unit Price 1 ~ 4 pc(s).	Volume Discount Rate		
Type	No.				(max)	(min)				5~9	10~19	20~30
AFCS	1 2	R1/8	M6 M8	2 3	38 39	35 36	13	17				

Ordering Example: Part Number - AFCS1

For orders larger than indicated quantity, please check with WOS.



Example



(Cleaning of Cylindrical Workpiece I.D./O.D.)

**Conical Spray Air Nozzles**

**ACNA**

Air Projection Angle 20° **ACNA-20**

Air Projection Angle 30° **ACNA-30**

RoHS 10

Material: A5052P

Part Number		Air Projection Angle	Orifice	T	Air Flow Rate NL/Min (for 0.3MPa)	Weight (g)	Unit Price 1 ~ 4 pc(s).	Volume Discount Rate		
Type	No.							5~9	10~19	20~50
ACNA	1	20 30	9-Ø1.0 (Circumference Orifice) 1-Ø0.8 (Center Part Orifice)	R1/8	195	2				

For orders larger than indicated quantity, please check with WOS.

Ordering Example: Part Number - Air Projection Angle  
ACNA1 - 20

**Radial Air Nozzles**

**AEDA**

F (30° Front) **AEDA-F**

S (Side) **AEDA-S**

B (15° Rear) **AEDA-B**

RoHS 10

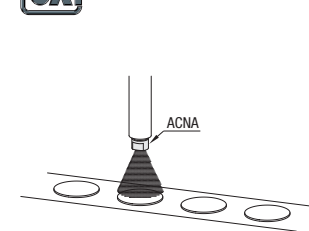
Material: SUS303

Part Number		Air Spray Direction	Orifice	D	T	L	Air Flow Rate NL/Min (for 0.3MPa)	Weight (g)	Unit Price 1 ~ 4 pc(s).	Volume Discount Rate		
Type	No.									5~9	10~19	20~50
AEDA	2	F (30° Front) S (Side) B (15° Rear)	8-Ø1.6	14	R1/4	22 23 26	240 330 350	15 15.5 17.5				

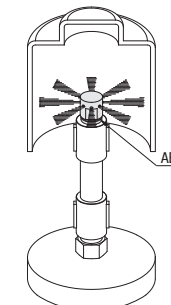
For orders larger than indicated quantity, please check with WOS.

Ordering Example: Part Number - Air Spray Direction  
AEDA2 - F

EX Example



(Lens Surface Cleaning)



Internal Cleaning of Cylindrical Workpiece

**Relationship between Projection Angle and Spray Distance**

