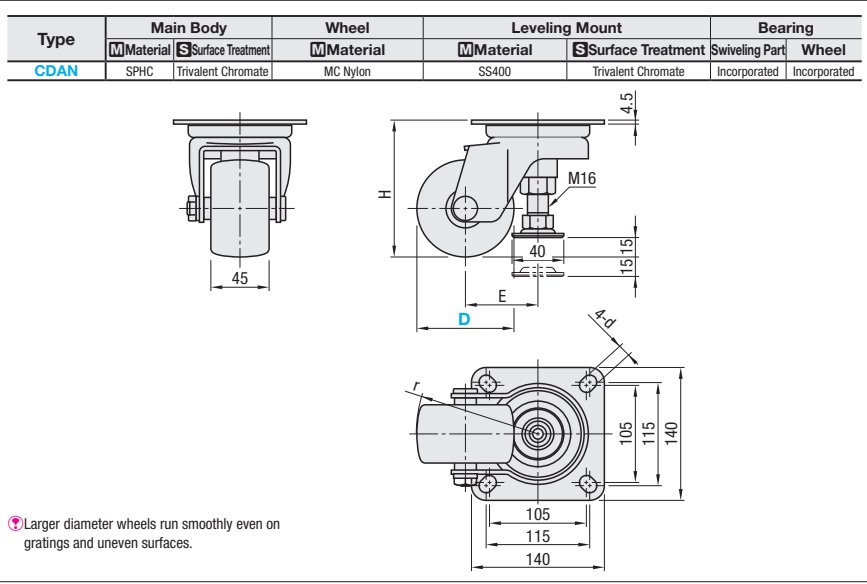


Casters with Leveling Mount / Casters with Integrated Plate & Leveling Mount

Large Diameter Wheels Wheel Material Selectable Type / MC Nylon Wheel Type

Integrated Casters & Leveling Mounts

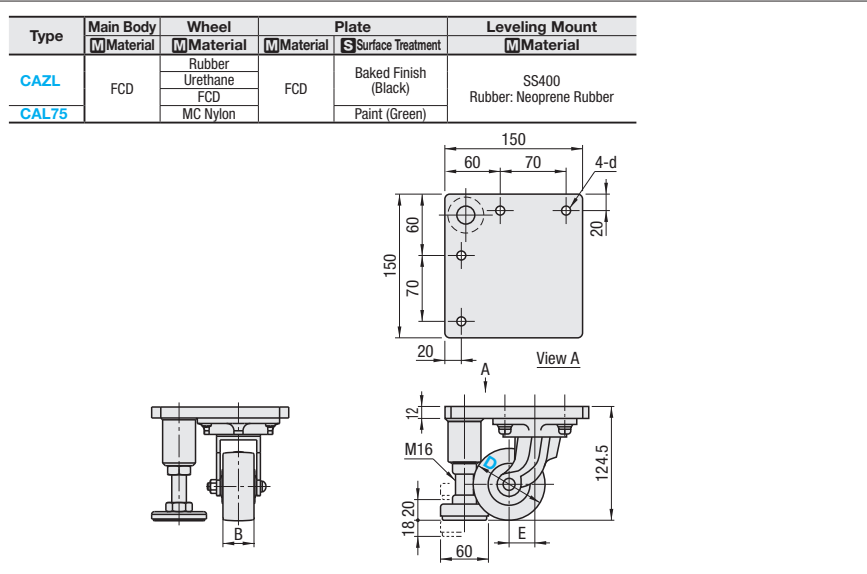
Mounting Holes Configurable



Type	Main Body		Wheel	Leveling Mount		Bearing	
	Material	Surface Treatment	Material	Material	Surface Treatment	Swiveling Part	Wheel
CDAN	SPHC	Trivalent Chromate	MC Nylon	SS400	Trivalent Chromate	Incorporated	Incorporated

Part Number Type	D	Wheel Material	H	d	E	r	Allowable Load (N)	Unit Price
CDAN	75 100	M (MC Nylon)	120 145	11.5	56 65	95 116	3000	

Ordering Example: Part Number - Wheel Material
CDAN75 - M

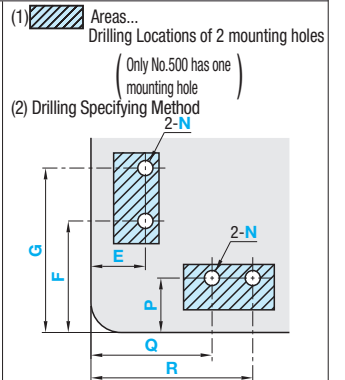
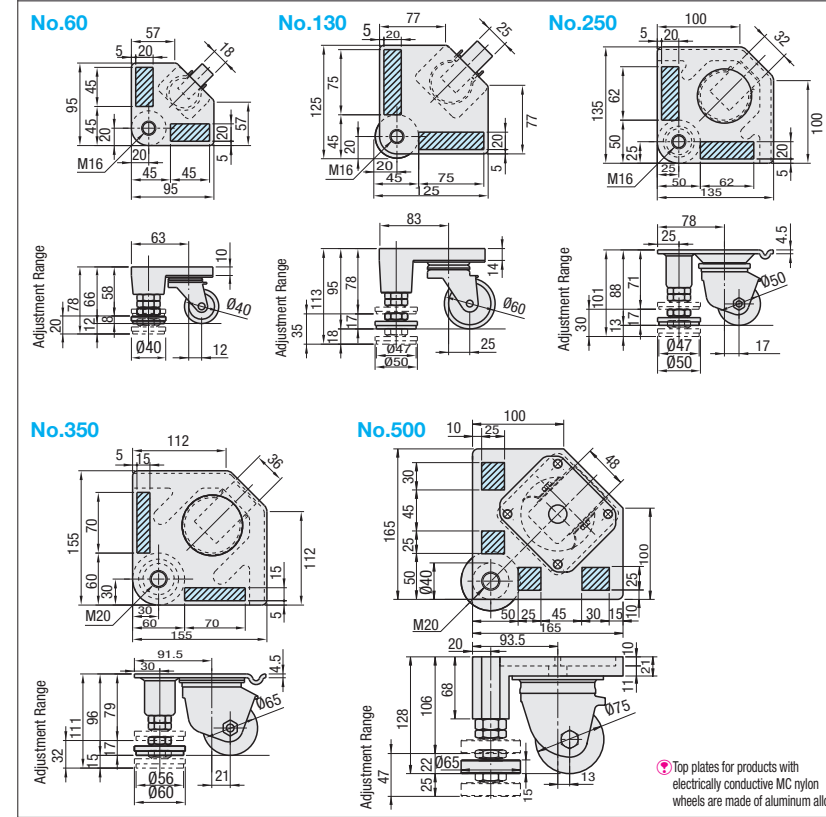
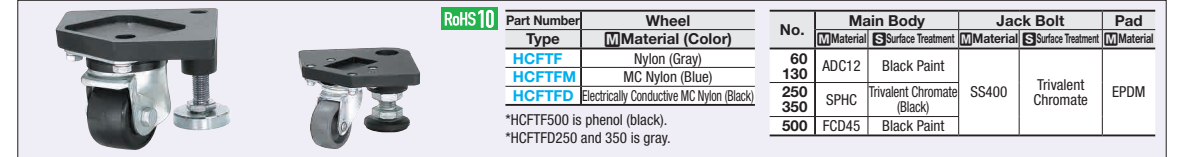


Type	Main Body	Wheel	Plate	Leveling Mount
	Material	Material	Material	Surface Treatment
CAZL	FCD	Rubber Urethane FCD	FCD	Baked Finish (Black)
CAL75		MC Nylon		Paint (Green)

Part Number		Wheel Material	B	U	E	d	Allowable Load N				Unit Price		
Type	D						R (Rubber)	U (Urethane)	M (MC Nylon)	Z (Casting)	R (Rubber)	U (Urethane)	M (MC Nylon)
CAZL	75	R (Rubber) U (Urethane) M (MC Nylon) Z (Casting)	32	30	25	9	1500	2500	3000	3600			

Part Number		D	B	E	d	Allowable Load N	Unit Price
CAL75		75	32	26	9	3528	

Ordering Example: Part Number - Wheel Material
CAZL75 - R



Hole Type	Through Hole
Code	N
Shape	
Machining Specifications	Dimension Nominal Dia. N 5 6 8 10 d 6 7 9 11

Part Number Type	No.	N (Nominal Dia.) Selection	Drilling Location 1mm Increment E / P	Allowable Load		Mass (g)
				kgf	N	
HCFTF HCFTF HCFTFM HCFTFD	60	5 6	(45+N/2)-(90-N/2)	60	588	600
HCFTF HCFTFM HCFTFD	130	6 8 10	(5+N/2)-(25-N/2)	130	1275	1100
HCFTF HCFTFM HCFTFD	250	6 8 10	(5+N/2)-(20-N/2)	250	2451	1445
HCFTF HCFTFM HCFTFD	350	8 10	(5+N/2)-(20-N/2)	350	3432	2170
HCFTF HCFTFM HCFTFD	500	8 10	(10+N/2)-(35-N/2)	500	4902	5600

Ordering Example: Part Number - N - E - F - G - P - Q - R
HCFTF130 - 6 - E18 - F55 - G80 - P20 - Q55 - R70

No.	HCFTF		HCFTFM		HCFTFD	
	Unit Price	Volume Discount Rate	Unit Price	Volume Discount Rate	Unit Price	Volume Discount Rate
60	1 ~ 9 pc(s).	10-20	1 ~ 9 pc(s).	10-20	1 ~ 9 pc(s).	10-20
130						
250						
350						
500						

Alterations Example: Part Number - N - E - F - G - P - Q - R - (BL)
HCFTF130 - 6 - E18 - F55 - G80 - P20 - Q70 - R80 - BL150

Alterations Code	Leveling Mount Height				
	BL100		BL150		
Type	No.	Height from Floor (Standard) / After Change	Type	No.	Height from Floor (Standard) / After Change
HCFTF	60	78 / 132	HCFTF	130	78 / 178
HCFTFM	130	113 / 152	HCFTFM	250	113 / 200
HCFTFD	250	101 / 145	HCFTFD	350	101 / 191
	350	111 / 150	HCFTFD	500	111 / 200
	500	- / -		500	150 / 210

