

MOTORIZED STAGES X-AXIS LINEAR BALL CAVE-X POSITIONER

[Motorized] X-Axis - Linear Ball, CAVE-X POSITIONER

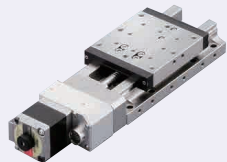
Stroke 30~75



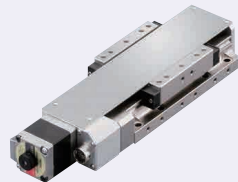
For CAD data, see the MISUMI website.

Features: Have high rigidity and compactness in width. Support 30~75mm of travel distance.

XCVL (w/o Cover)



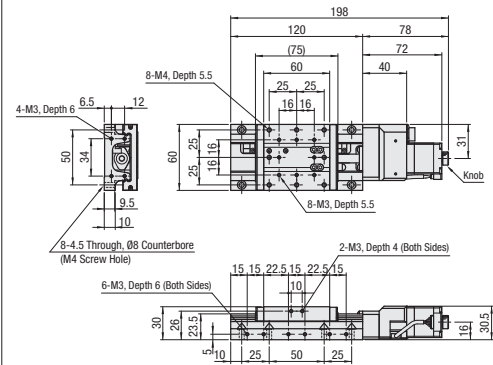
XCVLC (with Cover)



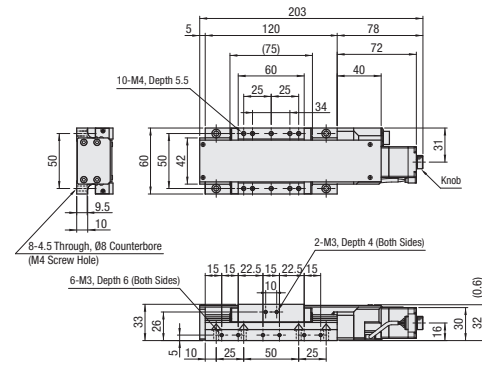
M Material: SUS440C Equivalent
S Surface Treatment: Electroless Nickel Plating
A Accessory: SUS Hex Socket Screw M4-14 (8 pcs.)



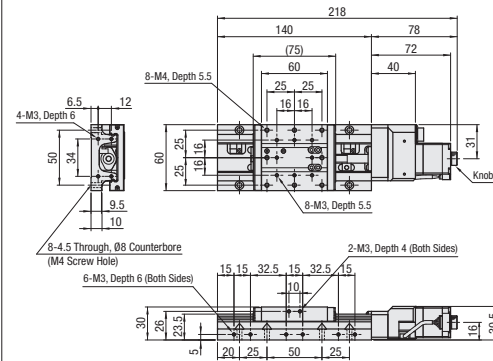
XCVL630



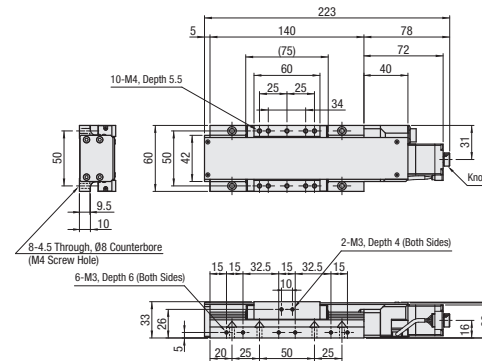
XCVLC630



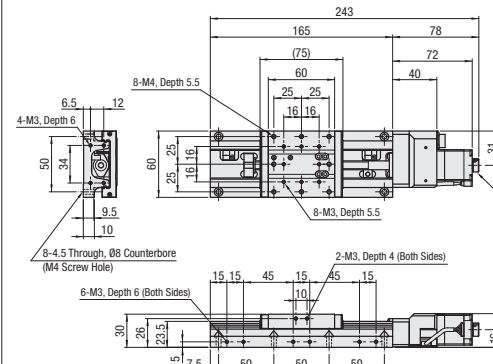
XCVL650



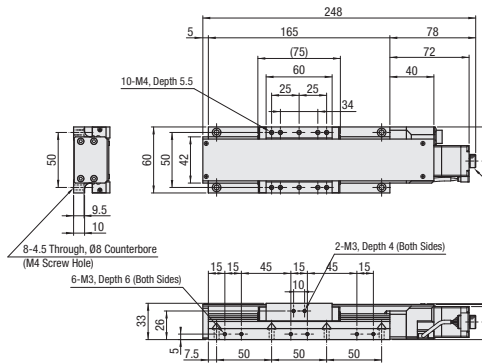
XCVLC650



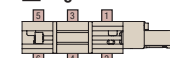
XCVL675



XCVLC675



Origin Sensor Mounting Position



The above diagrams are for stages incorporating Motor C. For detailed dimensions about stages incorporating Motor F, G, MA, PA or UA, see the relevant CAD data.

Part Number	Lead	Sensor	Motor	Cable	Mechanical Standards			Accuracy Standards					
					Stage Surface (mm)	Travel Distance (mm)	Weight *2 (kg)	Unidirectional Positioning Accuracy	Moment Rigidity ("/N-cm)			Pitching	Yawing
XCVL630 (w/o Cover)	1	N (W/o Sensor)	C (Standard)	N (Cable not included separately sold)	60x60	30 (Lead 1mm only)	1.28(1.34")	5µm or less	0.05	0.05	0.05	20" or less	15" or less
XCVLC630 (with Cover)													
XCVL650 (w/o Cover)													
XCVL650 (with Cover)	2	3 (Right-center)	G (High Resolution)	M (For Motor with Electromagnetic Brake)	60x60	50	1.40(1.44")	5µm or less	0.05	0.05	0.05	20" or less	15" or less
XCVLC650 (with Cover)													
XCVL675 (w/o Cover)	5	5 (CW Right)	PA (α-Step)	U (For Servo Motor)	60x60	75	1.54(1.60")	7µm or less	0.05	0.05	0.05	20" or less	15" or less
XCVLC675 (with Cover)													

*1. When the "With cover" option is selected, When the Motor Option MA or PA is selected, the driver is included with as the Set. When the Option UA is selected, the Amplifier is included with. The cable is available for Option M, P, U and is unavailable for Option N.
 *2. The values are for standard motors (C).



Ordering Example: Part Number - Lead - Sensor - Motor - Cable
 XCVL630 - 1 - N - C - N



Configure Online

Motor/Cable Application Table

The available cable differs depending on the type of motor.

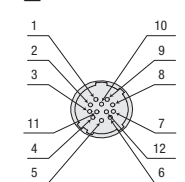
Motor/Cable Application Table	Motor	Cable
	C, F, G	N (Not Provided)
	MA	M
	PA	P
	UA	U

Max. Speed

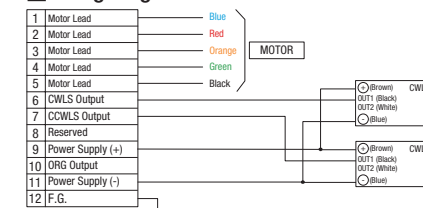
Motor	(mm/sec)
C	30
F	35
G	25
MA	25
PA	40
UA	50

Note that the speed and positioning time will vary depending on the usage conditions. The values shown here are MISUMI's reference values. Operation at these values is not guaranteed.

Connector Pin Configuration



Wiring Diagram



The above is the connector pin configuration / wiring diagram for F, G.

Common Specifications

Feed Screw	Ball Screw Ø8, Lead 1	Ball Screw Ø8, Lead 2
Guide	Linear Ball Guide	
Resolution	Full	4µm
	Half	2µm
	Fine (At 1/20)	0.2µm
Max. Speed	30mm/sec	35mm/sec
Positioning repeatability	±0.5µm or less	
Load Capacity	117.6N	
Lost Motion	1µm or less	
Backlash	1µm or less	
Straightness	3µm or less	
Parallelism	15µm or less	
Motion Parallelism	10µm or less	

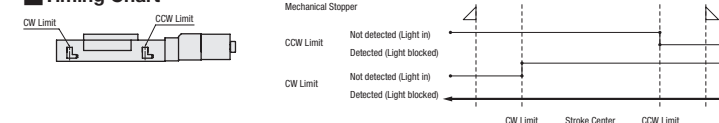
The values are for standard motors (C).

Electrical Specifications

Motor Option	Type	C	F	G	MA	PA	UA
		Standard	High Torque	High Resolution	With brake	Tuningless	High Speed
Motor	Step Angle	0.72°	0.72°	0.36°	0.72°	0.36° (When set to 1000 P/R)	22-bit Encoder (4194304P/R)
Connector	Applicable Receptacle Connector	HR10A-10P-12S (73) (Hirose Electric Co., LTD.)			motor side:5559-06R-210 electromagnetic brake side: 5559-02P-210(MOLEX)	43020-1000 (MOLEX)	Motor Cable JN4FT04SJ1-R (Japan Aviation Electronics Industry, Ltd.) Encoder 1674320-1 (Tyco Electronics Japan G.K.)
Sensor	Limit Sensor	Provided					
	Home Sensor	Not Provided by standard (Photomicrosensor PM-L25 (Panasonic Industrial Devices SUNX Co., Ltd.) is available as the option.)					
	Near Home Sensor	-					
	Power Supply Voltage	DC5~24V ±10%					
	Current Consumption	45mA or less (15mA or less per sensor)					
Control Output	NPN Open Collector Output DC30V, 50mA or less Residual Voltage 2V or less (when load current is 50mA) Residual Voltage 1V or less (when load current is 16mA)						
Output Logic	Detecting (Dark): Output Transistor OFF (Non-Conducting)						

Sensors with Part Number PM-□24 are to be discontinued and replaced by next-generation products with Part Number PM-□25 from April 2017.

Timing Chart



(Unit: mm) CW Direction ← → CCW Direction

	Reference Position	Mechanical Limit	CW Limit	CCW Limit	Mechanical Limit
XCVL630	Stroke Center	17.5	15.5	15.5	17.5
XCVL650	Stroke Center	27.5	25.5	25.5	27.5
XCVL675	Stroke Center	40	37.5	37.5	40

Recommended Homing Method

Type	Method
Type5	After detection is executed in the CCW direction, the process of detecting in the CW direction is begun based on the CWLS signal.
Type6	After detection is executed in the CW direction, the process of detecting in the CCW direction is begun based on the CWLS signal.
Type11	After Type 5 is executed, the process of detecting in the CCW direction is begun based on the TIMING signal.
Type12	After Type 6 is executed, the process of detecting in the CW direction is begun based on the TIMING signal.

The coordinates shown are design values. There may be approx. ±0.5mm misalignment on the physical dimensions.