

Square Bearings with Housings - Overview

Note that, for some of the types shown here, order might be unable to be received by the MISUMI Indonesia offices.

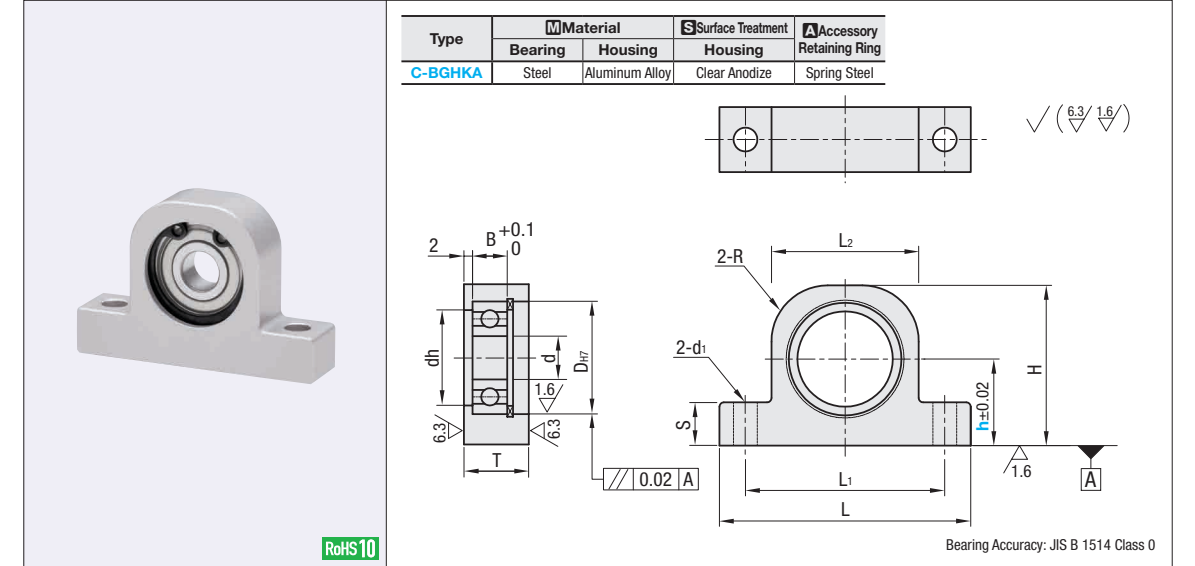
Bearings with Housings - T-Shaped Extruded Machined

Selection List for Bearings with Housings

- Square Bearings with Housings are the bundled item containing the Class 0 Accuracy Bearings and the Housing with the H7 Accuracy Bearing Hole guaranteed. This will save your time and trouble of preparing drawings and ordering parts.
- Largely classified into two types: Single and Double (excluding some shapes). The Double is suitable for supporting relatively large load.

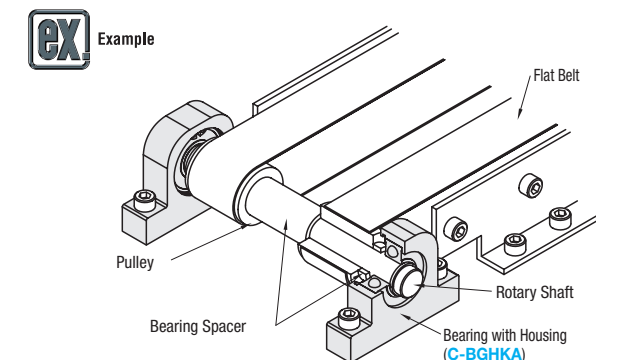
Basic Shape	Product Photo	Securing Method	Features	Page	
				Single	Double
T-Shaped Extruded Aluminum Product			<ul style="list-style-type: none"> • Most economical extruded aluminum product. • Price is reduced up to 30% lower than the conventional steel T-shaped milled products. • R-shaped corner has improved the safety and the design. 	P960	
T-Shaped			<ul style="list-style-type: none"> • Stable installation. • Suitable when lengthwise space is limited. • If positioning accuracy is required, Bearings with Housings - with Positioning Groove is useful. • Bearings with Housings - Low Particle Generation Grease Filled is suitable for use in a clean room, etc. 	Standard P961 Datum P967 Low Particle Generation Grease Filled P969	Standard P963 Short Double P966 Datum P968 Low Particle Generation Grease Filled P970
L-Shaped			<ul style="list-style-type: none"> • Suitable when crosswise space is limited. 	P965	
Bottom Mount			<ul style="list-style-type: none"> • Mounted from the bottom of the plate. • Suitable when crosswise space is limited. 	P971	P972
Block			<ul style="list-style-type: none"> • Suitable when lengthwise space is limited. 	P973	P974
Front Mount			<ul style="list-style-type: none"> • For limited installation spaces. • Shouldered Type guarantees ± 0.02 height accuracy. 	Standard P975 Shouldered P976	

■ Features: Extruded machined product made of aluminum alloy reduces the price up to 30% than the conventional T-shaped milled product made of steel. Round shape eliminates the need for C chamfering and improves safety.



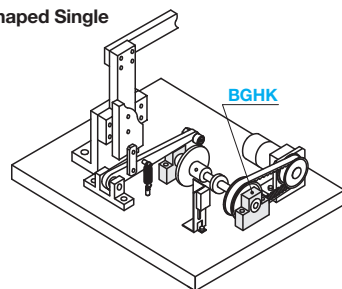
Type	Bearing No.	h Selection	d	H	L ₁	d ₁	L	L ₂	T	S	dh	DH7	B	R	Bearing Used			Unit Price
															Basic Load Rating		Allowable Rotational Speed	
															Cr (Dynamic) kN	Cor (Static) kN		
C-BGHKA	608ZZ	20	8	35	41	5.5	53	29	12	10	18	22	7	11	3.35	1.4	32000	
		25	40	41	53	29	10	15	10	18	22	6	11	2.7	1.27	30000		
		30	45	41	53	29	15	10	10	19	22	6	11	2.7	1.27	30000		
	6900ZZ	20	10	35	41	5.5	53	29	12	10	18	22	7	11	3.35	1.4	32000	
		30	40	41	53	29	10	10	10	19	22	6	11	2.7	1.27	30000		
		40	45	41	53	29	15	10	10	19	22	6	11	2.7	1.27	30000		
	6000ZZ	20	10	37	46	5.5	58	34	15	10	22	26	8	13	4.55	1.96	29000	
		30	40	46	58	34	10	10	10	22	26	8	13	4.55	1.96	29000		
		40	47	46	58	34	15	10	10	22	26	8	13	4.55	1.96	29000		
	6200ZZ	20	10	40	54	6.5	68	40	15	10	24	30	9	16	5.1	2.39	25000	
		30	40	54	68	40	10	10	10	24	30	9	16	5.1	2.39	25000		
		40	50	54	68	40	15	10	10	24	30	9	16	5.1	2.39	25000		
	6901ZZ	20	12	37	46	5.5	58	34	12	10	21	24	6	13	2.89	1.46	27000	
		30	40	46	58	34	10	10	10	21	24	6	13	2.89	1.46	27000		
		40	47	46	58	34	15	10	10	21	24	6	13	2.89	1.46	27000		
	6001ZZ	20	12	40	54	6.5	68	40	15	10	24	28	8	16	5.1	2.39	26000	
		30	40	54	68	40	10	10	10	24	28	8	16	5.1	2.39	26000		
		40	50	54	68	40	15	10	10	24	28	8	16	5.1	2.39	26000		
	6201ZZ	20	12	40	54	6.5	68	40	16	10	26	32	10	16	6.1	2.75	22000	
		30	40	54	68	40	10	10	10	26	32	10	16	6.1	2.75	22000		
		40	50	54	68	40	15	10	10	26	32	10	16	6.1	2.75	22000		
	6902ZZ	30	15	50	54	6.5	68	40	12	15	25	28	7	16	3.65	2	24000	
		40	40	54	68	40	10	10	10	25	28	7	16	3.65	2	24000		
		50	50	54	68	40	15	10	10	25	28	7	16	3.65	2	24000		
6002ZZ	30	15	50	54	6.5	68	40	15	15	28	32	9	16	5.6	2.83	22000		
	40	40	54	68	40	10	10	10	28	32	9	16	5.6	2.83	22000			
	50	50	54	68	40	15	10	10	28	32	9	16	5.6	2.83	22000			

Ordering Example: **C-BGHKA** **608ZZ** - **20**



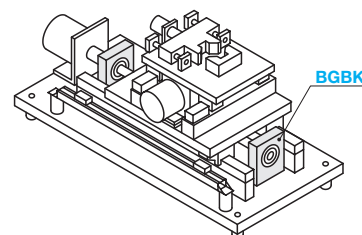
App. Examples of Bearings with Housings

T-Shaped Single



Example of a link mechanism using a cam. The above example uses the T-shaped single type to save the front and back space.

Bottom Mount



If the space is limited all around as shown in the above example, it is effective to use bottom mount type and fasten it from the plate bottom.