

Steel Pipe, Heat, Cold, Retention Pipe Covers

- Wrench Flat -

CAD Data Folder Name: 45_Pipes_Fittings_Valves

When ordering, select Part Number and Values from Selection Steps ①~⑤.

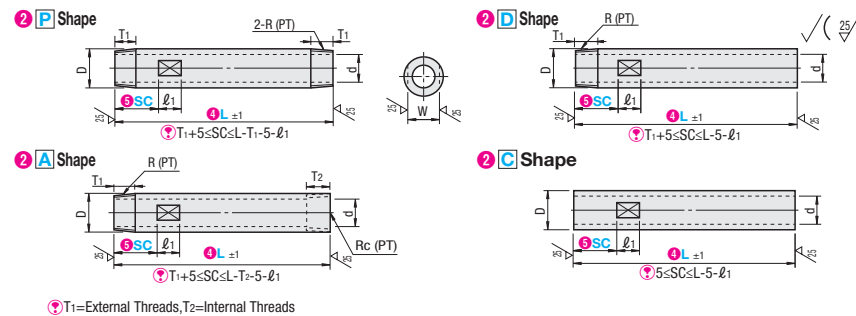
Ordering Example: Part Number (①Type · ②Shape Code · ③·No.) - ④L - ⑤SC
SSUTD15A - 500 - SC20

Steel Pipes - Wrench Flats



Type	Material	Application	Surface Treatment
SSGG	SGP	Pneumatic Pipes for Low Operating Pressure Steam/Water/Oil/Gas	-
SSGP	SGPW	Pipes for draining water, air conditioning, etc.	Zinc Plating Ⓜ There is no surface treatment for thread and wrench part.
SSUT	SUS304TP	Corrosion / Resistant Low Temperature / High Temperature Resistant Pipes	-

* Threaded ends are covered with sealing tapes before shipping.
 * Excessive tightening may deform the female thread portion. Wrap with sealing tape for air tightness, hand tighten first, and then final tighten by giving approx. one more rotation or so.
 * Marks may remain on the surface of a steel pipe when tightening screws.



CAD 3D RoHS

Part Number	①Type	②Shape	③No.	④L 1mm Increment	⑤SC 1mm Increment	W	ℓ1	R (PT) Rc (PT)	T1	T2	SSGG		SSGP		SSUT	
											D	d	D	d	D	d
SSGG SSGP SSUT	P A D C	6A	30~1500	5 ~ 100 Ⓜ Specifiable range is limited depending on the shape. Refer to the formula below each drawing.	8	8	1/8	10	15	10.5	6.5	-	-	10.5	5.7	
		8A	40~1500		12	10	1/4	15	20	13.8	9.2	13.8	9.2	13.8	7.8	
		10A	40~1500		16	10	3/8	17	16	17.3	12.7	17.3	12.7	17.3	10.9	
		15A	50~1500		19	10	1/2	20	18	21.7	16.1	21.7	16.1	21.7	16.1	
		20A	50~1500		24	15	3/4	23	20	27.2	21.6	27.2	21.6	27.2	21.4	
25A	60~1500	30	15	1	25	22	34	27.6	34	27.6	34	27.2				

Days to Ship: 5 Days

Order Quantity	Standard Service Regular Quantity	Non-Standard Service Large Quantity
Quantity	1~50	51~
Days to ship	Standard	To be quoted

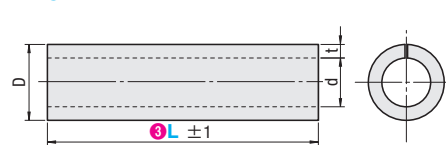
When ordering, select Part Number and Values from Selection Steps ①~③.

Ordering Example: Part Number (①Type · ②No.) - ③L
HKCVP15A - 100

Heat, Cold Retention Pipe Covers - For Steel Pipes



HKCVP



Operating Temperature Range : -20 ~ 120°C
 Ⓜ Material Heat Resistant Polyethylene Foam

Part Number	①Type	②No.	③L 1mm Increment	D	d	t
HKCVP	30~1500	6A	26	10	8	
		8A	29	13	8	
		10A	38	18	10	
		15A	42	22	10	
		20A	48	28	10	
		25A	55	35	10	
		32A	63	43	10	
40A	69	49	10			
50A	81	61	10			

Days to Ship: 5 Days

Order Quantity	Standard Service Regular Quantity	Non-Standard Service Large Quantity
Quantity	1~50	51~
Days to ship	Standard	To be quoted

Pipe Supports

- Saddle Bands / Plumbing U-Bolt Sets -

CAD Data Folder Name: 45_Pipes_Fittings_Valves

Ordering Example: Part Number (Type · No.)
RSDLN25A

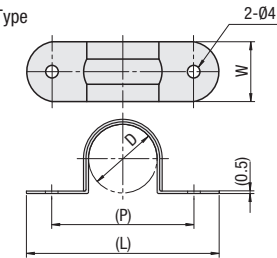
Saddle Bands



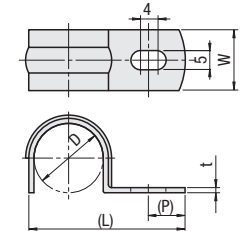
CAD 2D 3D RoHS

Type	Material	Surface Treatment
Double-Sided RSDLN RSDLNS	SPHC SUS304	Trivalent Chromate -
Single-Sided KSDLN KSDLS		

Double-Sided Type



Single-Sided Type



Ⓜ As this product is made of thin sheet metal, (L) and (P) dimensions are just for reference. Adjust them as required for actual use.

Ⓜ KSDLN32A, 40A, and 50A have no rib. The diameter of the mounting hole is Ø5.

Double-Sided Strap Type

Part Number	Type	No.	Applicable Pipe O.D. x1000 D		(L)		(P)		W
			RSDLN	RSDLNS	RSDLN	RSDLNS			
RSDLN RSDLNS	19	15A	21.7	60	60	47	47	21	
		20A	27.2	65	65	52	52		
		25A	34.0	73	72	60	59		
		32A	42.7	81	86	68	73		
		40A	48.6	86	88	73	75		
50A	60.5	100	102	87	89				

Single-Sided Strap Type

Part Number	Type	No.	Applicable Pipe O.D. x1000 D		(L)		(P)		t		W	
			KSDLN	KSDLS	KSDLN	KSDLS	KSDLN	KSDLS	KSDLN	KSDLS		
KSDLN KSDLS	13	15A	21.7	45	49	13	13	1.6	1.2	25	20	
		20A	27.2	50	54.5							
		25A	34	57	67							
		32A	42.7	71	75							
		40A	48.6	77	82							
50A	60.5	89	99									

Days to Ship: 3 Days

Ⓜ RSDLN25A, RSDLN15A, RSDLN20A, RSDLN40A, KSDLN15A, KSDLN25A
 Ⓜ Stock
 Ⓜ Stock lineup may vary by country.
 Ⓜ Same day shipping available upon request. Order by THA: 16:00, SGP: 12:00, MYS: 15:00 P.75

Days to Ship: 3 Days

Order Quantity	Standard Service Regular Quantity	Non-Standard Service Large Quantity
Quantity	1~30	31~
Days to ship	Standard	To be quoted

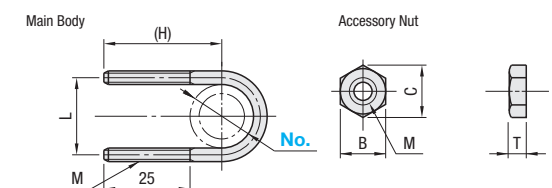
Ordering Example: Part Number (Type · No.)
UB4-M5

U-Bolts for Plumbing



CAD 2D 3D RoHS

UB UBSU (Stainless Steel)



UB	UBSU
Ⓜ Material SS400	Ⓜ Material SUSXM-7 (SUS304 Equivalent)
Ⓜ Surface Treatment Trivalent Chromate	
Ⓜ Accessory Nut 2 pcs. (SWRCH Trivalent Chromate)	Ⓜ Accessory Nut 2 pcs. (SUS304)

Part Number	Type	No.	Applicable Dia. of Pipes No.	* Pipe O.D.	M (Coarse)	(H)	L
UB UBSU	3	3	10A	17.3	M4	34	21.3
		4	15A	21.7	M4	37	25.7
		4-M5	15A	21.7	M5	37	26.7
		6	20A	27.2	M4	39	31.2
		6-M5	20A	27.2	M5	39	32.2
		8	25A	34.0	M4	43	38
		8-M5	25A	34.0	M5	43	39
		10	32A	42.7	M5	47	47.7
		10-M6	32A	42.7	M6	47	48.7
		12	40A	48.6	M5	50	53.6
		16	50A	60.5	M5	57	65.5

Nut Size	M (Coarse)	B	C	T
M4	7	8.1	3.2	
M5	8	9.2	4	
M6	10	11.5	5	

Days to Ship: 3 Days

Ⓜ Stock
 Ⓜ Stock lineup may vary by country.
 Ⓜ Same day shipping available upon request. Order by THA: 16:00, SGP: 12:00, MYS: 15:00 P.75

Days to Ship: 3 Days

Order Quantity	Standard Service Regular Quantity	Non-Standard Service Large Quantity
Quantity	1~100	101~
Days to ship	Standard	To be quoted

* O.D. (mm) of the pipes is for reference only.