


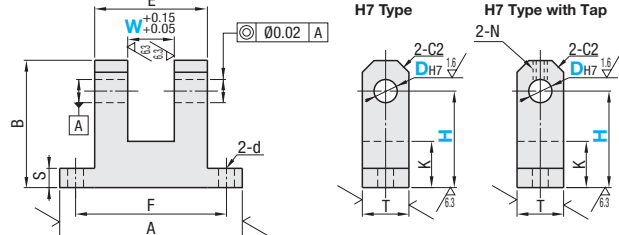
Hinge Bases

Standard U-Shaped

■ Features: U-Shaped General Purpose Type and Height Configurable at 1 mm Increment.



W Fixed			W and H Configurable			Material	Surface Treatment	Accessory
H7 Type	H7 Type with Tap	H7 Type with Tap	H7 Type	H7 Type	H7 Type with Tap			
HKPB	HKPBT	HGBPB	-	-	-	S45C Equivalent	Black Oxide	Set Screws 2 pcs. (SUS304)
HKPM	HKPMT	HGBPM	HGBPMT	-	-	SUS304	Electroless Nickel Plating	-
HKPS	-	HGBPS	-	-	-	-	-	-



RoHS10

Part Number	Type	D	D Tolerance	H 1mm Increment	W	A	F	B	E	K	S	T	d	N	Unit Price			
															H7 Type		H7 Type with Tap	
															HKPB	HKPM	HKPS	HKPBT
2	(H7) HKPB	2	+0.01	15~20	4	25	18	H+3	10			6	3.5	-				
3	(H7) HKPB	3	0	20~25	6	32	24	H+5	15	10	5	9	4.5	M3				
4	(H7) HKPB	4	+0.012	25~30	8	38	29	H+6	25	12		12	5.5	M4				
5	(H7) HKPB	5	0	30~40	10	50	41	H+8	32	14	10	16	6.5	M5				
6	(H7) HKPB	6	+0.015	35~45	12	65	52	H+10	38	15	15	22	9	M6				
8	(H7) HKPB	8	0	40~50	16	75	62	H+12	50	18	18	30	9					
10	(H7) HKPB	10	+0.018		20	100	82	H+14	65			25						
12	(H7) HKPB	12	0		30			H+17				30						

For detailed dimensions of Hinge Pin, see P.908.

■ W and H Configurable

Part Number	Type	D	D Tolerance	W 1mm Increment	H 5mm Increment	A	F	B	E	K	S	T	d	N	Unit Price			
															H7 Type		H7 Type with Tap	
															HGBPB	HGBPM	HGBPS	HGBPMT
2	(H7) HGBPB	2	+0.01	3~5	15~20	25	18	H+3	10			6	3.5	-				
3	(H7) HGBPB	3	0	3~9	20~25	32	24	H+5	15	10	5	9	4.5	M3				
4	(H7) HGBPB	4	+0.012	4~12	25~30	38	29	H+6	25	12		12	5.5	M4				
5	(H7) HGBPB	5	0	5~15	30~40	50	41	H+8	32	14	10	16	6.5	M5				
6	(H7) HGBPB	6	+0.015	6~18	35~45	65	52	H+10	38	15	15	22	9	M6				
8	(H7) HGBPB	8	0	8~24		75	62	H+12	50	18	18	30	9					
10	(H7) HGBPB	10	+0.018	10~30				H+14	65			25						
12	(H7) HGBPB	12	0	12~30				H+17				30						
13	(H7) HGBPB	13	+0.018	13~30								25						
14	(H7) HGBPB	14	0	14~30								30						
15	(H7) HGBPB	15	+0.021	15~30														
16	(H7) HGBPB	16	0	16~30														
20	(H7) HGBPB	20	+0.021	20~30														
25	(H7) HGBPB	25	0	25~35														

For detailed dimensions of Hinge Pin, see P.908.


For H7 type with tap, (E-W)/2=N+2 is required.

Ordering Example: Part Number - W - H
 HKPM12 - W12 - H35
 HGBPB8 - W12 - H35

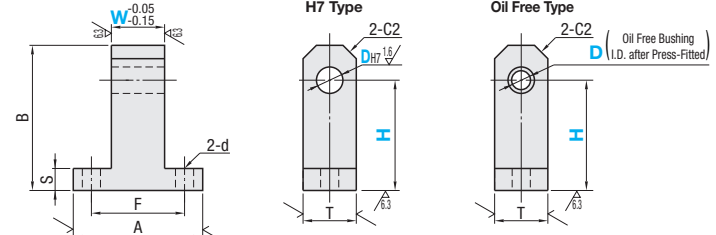
Hinge Bases

Standard T-Shaped

■ Features: T-Shaped and Height Configurable at 1 mm Increment. Oil Free Type is also available.



W Fixed		W and H Configurable		Material	Surface Treatment	Accessory
H7 Type	Oil Free Type	H7 Type	Oil Free Type			
HKTB	HKTBM	HGBTB	HGBTBM	S45C Equivalent	Black Oxide	Set Screws 2 pcs. (SUS304)
HKTM	-	HGBTM	-	SUS304	Electroless Nickel Plating	-
HKTS	-	HGBTS	-	-	-	-



RoHS10

Part Number	Type	D	D Tolerance	H 1mm Increment	W	A	F	B	S	T	d	Oil Free Bushing	
												d (I.D.)	L (Overall Length)
												2	(H7) HKTBM
3	(H7) HKTBM	3	0	15~25	6	25	17	H+5	5	9	4.5	4	6
4	(H7) HKTBM	4	+0.012	20~30	8	32	23	H+6		12	5.5	5	6
5	(H7) HKTBM	5	0	25~35	10	38	27	H+8		16	6.5	6	8
6	(H7) HKTBM	6	+0.015	30~40	12	50	37	H+10	10	19	9	8	10
8	(H7) HKTBM	8	0	35~45	16	65	49	H+12	15	22	9	10	12
10	(H7) HKTBM	10	+0.018	40~50	20			H+14		25		12	15
12	(H7) HKTBM	12	0		30			H+17		30		15	20

For detailed dimensions of Hinge Pin, see P.908.

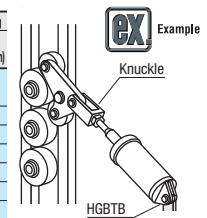
■ W and H Configurable Type (For Oil Free Type, H dimension is fixed)

Part Number	Type	D	D Tolerance	W 1mm Increment	H 5mm Increment	A	F	B	S	T	d	Unit Price					
												H7 Type		Oil Free Type			
												HGBTB	HGBTM	HGBTS	HGBTBM		
2	(H7) HGBTBM	2	+0.01	3~5	15~20	25	18	H+3	10			6	3.5				
3	(H7) HGBTBM	3	0	3~6	20~25	32	24	H+5	15	10	5	9	4.5				
4	(H7) HGBTBM	4	+0.012	4~8	25~30	38	29	H+6	25	12		12	5.5				
5	(H7) HGBTBM	5	0	5~10	30~40	50	41	H+8	32	14	10	16	6.5				
6	(H7) HGBTBM	6	+0.015	6~12	35~45	65	52	H+10	38	15	15	22	9				
8	(H7) HGBTBM	8	0	8~16	40~50	75	62	H+12	50	18	18	30	9				
10	(H7) HGBTBM	10	+0.018	10~18				H+14				25					
12	(H7) HGBTBM	12	0	12~18				H+17				30					
13	(H7) HGBTBM	13	+0.018	13~24								25					
14	(H7) HGBTBM	14	0	14~24								30					
15	(H7) HGBTBM	15	+0.068	15~24													
16	(H7) HGBTBM	16	0	16~24													
20	(H7) HGBTBM	20	+0.021	20~30													
25	(H7) HGBTBM	25	0	25~35													

For detailed dimensions of Hinge Pin, see P.908.

Ordering Example: Part Number - W - H
 HKTBM13 - W15 - H35
 HGBTBM10 - W15 - H30
 HGBTBM4 - W6

D	Unit Price							
	W Fixed				W and H Configurable			
	H7 Type		Oil Free Type		H7 Type		Oil Free Type	
	HKTB	HKTM	HKTS	HKTBM	HGBTB	HGBTM	HGBTS	HGBTBM
2								
3								
4								
5								
6								
8								
10								
12								
13								
14								
15								
16								
20								
25								



Example: HGBTBM Oil Free Bushing

D	W	Oil Free Bushing	
		d (I.D.)	L (Overall Length)
4	4	4	3
5	4	4	4
6	4	4	5
8	4	4	6
5	5	5	4
6	5	5	5
8	5	5	6
9	5	5	8
10	5	5	8
6	6	6	5
8	6	6	6
9	6	6	8
10	6	6	8
12	6	6	10
8	8	8	6
9	8	8	8
10	8	8	8
12	8	8	10
14	8	8	12
15	8	8	12
16	8	8	15
10	10	10	8
12	10	10	10
14	10	10	12
15	10	10	12
16	10	10	15
18	10	10	15
12	12	12	10
14	12	12	12
15	12	12	12
16	12	12	15
18	12	12	15
13	14	13	12
14	13	13	12
16	13	13	15
18	13	13	15
20	13	13	20
22	13	13	20
15	15	15	12
16	15	15	15
18	15	15	15
20	15	15	15
22	15	15	20
24	15	15	20
16	16	16	15
18	16	16	15
20	16	16	15
22	16	16	20
24	16	16	20