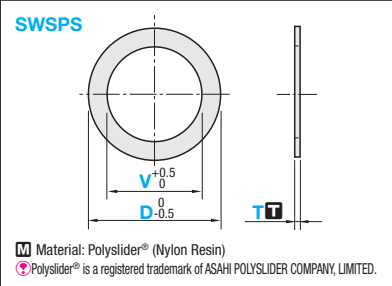


Note that, for some of the types shown here, order might be unable to be received by the MISUMI Malaysia, Indonesia and/or India offices.

# Extra Thin Resin Washers / Extra Thin Resin Washer Bulk Packages

Extra thin washer with excellent low friction and abrasion resistance.



Part Number	Type	D	V	T	Unit Price	
SWSPS	8	3 4 5				
	10	4 5 6				
	12	4 5 6 8		0.13		
	14	5 6 8 10		0.25		
	15	5 6 8 10 12		0.5		
	16	6 8 10 12		1.0		
	20	6 8 10 12 15 16				
	25	6 8 10 12 15 16 20		0.25		
				0.5		

**Tolerance**

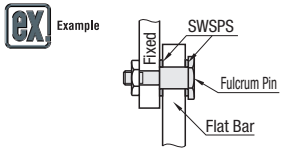
Thickness (T) Tolerance	0.13	0.25	0.5	1.0
	±0.013	±0.025	±0.05	±0.1

**Comparison Table**

Item	Polyslider®	Fluororesin
Abrasion Resistance	○	○
Compression Strength	○	×
Sliding Properties	○	○
Characteristics	Crush and abrasion resistant.	Low friction and not crush resistant.

**Property Data**

Item	Unit	Value
Tensile Strength	MPa	98
Elongation	%	60
Friction Coefficient	μ	0.16~0.4
Insulation Resistance	kV/mm	45



**Extra Thin Resin Washers - Polyacetal, Fluororesin, Polycarbonate**

Type	Washer Package	Material	Color	Thickness (T) Tolerance
SWSJJ	PACK-SWSJJ	Polyacetal	White	0.1, 0.2, 0.3, 0.5, 1.0
SWSPT	PACK-SWSPT	Fluororesin	White	±0.01, ±0.02, ±0.03, ±0.05, ±0.10
SWSPS	PACK-SWSPS	Polycarbonate	Transparent	

When you need large quantities, Bulk Packages are more economical. \*PACK-SWS□□ contains 10 pieces.

Part Number	Type	D	V Selection	T Selection	Unit Price			
					PACK-SWSJJ	PACK-SWSPT	SWSJJ	SWSPT
PACK-SWSJJ PACK-SWSPT SWSJJ SWSPT	8	0	3 4					
	10	0	3 4 5 6					
	12	0	4 5 6 8					
	14	0	4 5 6 8 10					
	15	0	4 5 6 8 10 12					
	16	0	4 5 6 8 10 12					
	20	0	5 6 8 10 12 15 16					
	25	0	6 8 10 12 15 16 20					
	30	0	8 10 12 15 16 20 25					
	40	0	10 12 15 16 20 25 30					
50	0	12 15 16 20 25 30 35 40						

\*PACK-SWSJJ and SWSJJ are not available for T0.1.

Part Number	Type	D	V Selection	T Selection	Unit Price	
					PACK-SWSPP	SWSPS
PACK-SWSPP SWSPS	8	0	3 4			
	10	0	3 4 5 6			
	12	0	4 5 6 8			
	15	0	5 6 8 10			
	16	0	5 6 8 10 12			
	20	0	6 8 10 12 15 16			
	25	0	6 8 10 12 15 16			
	30	0	8 10 12 15 16 20			
	35	0	20 25 30			
	40	0	20 25 30			
50	0	30 35 40				

\*For package, minimum order unit is 1 pack.

**Ordering Example**

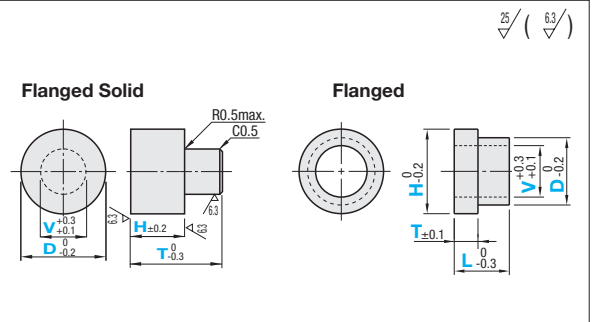
Part Number	-	V	-	T
Example	PACK-SWSJJ8	- 3	-	0.5
	SWSPS8	- 3	-	0.5

# Resin Washer

## Flanged Solid / Flanged



Flanged Solid	Flanged	Material	Color
FWNJJ	FWHJ	Polyacetal	White
FWNJK	FWHJK	MC Nylon Standard Grade	Black
FWNJM	FWHJM	MC Nylon Standard Grade	Blue
FWNJW	FWHJW	MC Nylon Standard Grade	Ivory
FWNJD	FWHJD	MC Nylon Conductive Grade	Black
FWNJT	FWHJT	MC Nylon Conductive Grade	Black
FWNJB	FWHJB	Bakelite	Paper Base Natural Color
FWNJB	FWHJB	Bakelite	Dark Base Natural Color
FWNJJ	FWHJJ	Fluororesin	White
FWNJF	FWHJF	PEEK	Gray
FWNJE	FWHJE	Epoxy Glass	Green



**Flanged Solid**

Part Number	D	V 0.5mm Increment	H 0.5mm Increment	T 0.5mm Increment	Unit Price																
					FWNJ	FWNJK	FWNJM	FWNJW	FWNJD	FWNJT	FWNJB	FWNJB	FWNJJ	FWNJF	FWNJE						
FWNJJ	6.0-10.0 (0.5mm Increment)	2.0-8.0			3.0-10.0																
					10.5-20																
					20.5-30																
FWNJK	10.5-20 (0.5mm Increment)	4.0-18.0	2.0-28.0		3.0-10.0																
					10.5-20																
					20.5-30																
FWNJM	21-30 (1mm Increment)	10.0-28.0			3.0-10.0																
					10.5-20																
					20.5-30																
FWNJW	31-40 (1mm Increment)	15.0-38.0	2.0-38.0		5.0-10.0																
					10.5-20																
					20.5-30																
FWNJD	41-50 (1mm Increment)	20.0-48.0	2.0-48.0		10.0-20.0																
					20.5-30																
					30.5-40																
FWNJT	51-60 (1mm Increment)	30.0-58.0			10.0-20.0																
					20.5-30																
					30.5-40																

Machining Conditions: \*V≤D-2 \*V×3≥T-H≥1 \*V≤2.5→T≤10 \*V=3.0→T≤20

**Flanged**

Part Number	D	H	V 0.5mm Increment (V3 or More)	T 0.5mm Increment	L 0.5mm Increment	Unit Price														
						FWHJ	FWHJK	FWHJM	FWHJW	FWHJD	FWHJT	FWHJB	FWHJB	FWHJJ	FWHJF	FWHJE				
FWHJ FWHJK FWHJM FWHJW FWHJD FWHJT FWHJB FWHJB FWHJJ FWHJF FWHJE	4.0-10 (0.5mm Increment)	6.0-20 (0.5mm Increment)	0 2.0 2.6 3.0-55.0	1.0-8.0	2.0-5.5															
					6.0-10.0															
	10.5-20 (0.5mm Increment)	12.5-30 (0.5mm Increment)			2.0-5.5															
	21-30 (1mm Increment)	23-40 (1mm Increment)			6.0-10.0															
	31-40 (1mm Increment)	33-50 (1mm Increment)			2.0-5.5															
	41-50 (1mm Increment)	43-60 (1mm Increment)			6.0-10.0															
51-60 (1mm Increment)	53-70 (1mm Increment)	2.0-5.5																		
		6.0-10.0																		

Machining Conditions: \*H-D≥2 \*D-V≥2 \*L-T≥1 \*For FWHJT, FWHJK, FWHJW and FWHJE, H≤50

**Ordering Example**

Part Number	-	D	-	H	-	V	-	T	-	L	
Example	FWHJN	-	D20	-	H30	-	V10.5	-	T2.5	-	L8.5

