

Oil Free Bushings

Copper Alloy Straight, Standard

Note that, for some of the types shown here, order might be unable to be received by the MISUMI Indonesia offices.



Oil Free Bushings

C-VALUE Products - Copper Alloy Straight, Standard

Points on Comparing Similar Products | If you use it for high-precision positioning, high load weight, and high frequency movement, consider from the existing product series.

Points on Comparing Similar Products | If you use it for medium-precision positioning, mid-to-low load weight, and mid-to-low frequency movement, consider from the C-VALUE Product series.

Features: Copper Alloy Bushings in general use.

Features: Copper Alloy Bushings in general use.

Standard

MPBZ (Standard I.D. F7 O.D. m6)

Recommended Mating Shaft for I.D. F7 Type: d8: General Use (High-Load), e7: General Use (Light Load)
 f8: High Precision Use, g6: High Precision Use (Intermittent Operation)
 Material: High Tensile Brass Alloy Solid Lubricant Embedded

RoHS 10

Standard

C-MPBZ (Standard I.D. F7 O.D. m6)

Recommended Mating Shaft for I.D. F7 Type: d8: General Use (Medium Load), e7: General Use (Light Load)
 f8: Medium Precision Use, g6: Medium Precision Use (Intermittent Operation)
 Material: High Tensile Brass Alloy Solid Lubricant Embedded

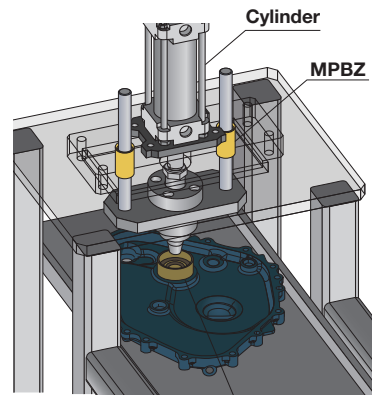
Part Number	Type	dF7	L																Dm6		Thickness (N)	Housing Dia. (Recommended Dimension)		Rotation Stopper Screw (Reference)*
			8	9	10	12	15	16	19	20	25	30	35	40	50	60	70	80	100	Standard Dimension		Tolerance (H7)		
5	MPBZ	+0.022	8	9	10	12	15											9	+0.015	9	+0.015	M4x8		
6		+0.010	8	9	10	12	15	16	19	20								10	+0.006	10	0			
8		+0.028	8	9	10	12	15	16	19	20	25							12		12				
10		+0.013	8	9	10	12	15	16	19	20	25	30						14	+0.018	14	0			
12			8	9	10	12	15	16	19	20	25	30	35					18		18				
13			9	10	12	15	16	19	20	25	30	35						19		19				
15		+0.034	9	10	12	15	16	19	20	25	30	35	40					21		21				
16		+0.016	9	10	12	15	16	19	20	25	30	35	40					22	+0.021	22	0			
18			9	10	12	15	16	19	20	25	30	35	40					24		24				
20			9	10	12	15	16	19	20	25	30	35	40	50	60			28		28				
20A		+0.041	9	10	12	15	16	19	20	25	30	35	40	50				30		30				
25		+0.020	12	15	16	19	20	25	30	35	40	50	60					33		33				
25A			12	15	16	19	20	25	30	35	40	50	60					35	+0.025	35	0			
30			12	15	16	19	20	25	30	35	40	50	60	70				38	+0.009	38				
35																		44		4.5	44			
40		+0.050																50		5	50			
50		+0.025																62	+0.030	6	62			
60		+0.060																75	+0.011	7.5	75			
80		+0.030																96	+0.035	8	96			
100		+0.027																120	+0.013	10	120			

Part Number	Type	dF7	L																Dm6		Thickness (N)	Housing Dia. (Recommended Dimension)		Rotation Stopper Screw (Reference)*
			8	9	10	12	15	16	19	20	25	30	35	40	50	60	70	80	Standard Dimension	Tolerance (H7)				
8	C-MPBZ	+0.033	8	10	12	15												12		12		M4x8		
10		+0.008	8	10	12	15	16	20										14	+0.024	14	+0.018			
12			10	12	15	16	20	25	30									18		18	0			
13			10	12	15	16	20	25	30									19		19				
15		+0.039	10	12	15	16	20	25	30	35								21		21				
16		+0.011	10	12	15	16	20	25	30	35	40							22	+0.027	22	+0.021			
18			12	15	16	20	25	30	35	40								24		24	0			
20			10	12	15	16	20	25	30	35	40	50						28		28				
25		+0.046	12	15	16	20	25	30	35	40	50	60						33		33				
30		+0.015	12	15	16	20	25	30	35	40	50	60						38	+0.025	38	+0.025			
35			12	15	16	20	25	30	35	40	50	60	70					44	+0.009	4.5	44	0		
40		+0.055	20	25	30	35	40	50	60	70	80							50		5	50			
50		+0.020																62	+0.036	6	62			

Part Number	Type	d	Unit Price																			
			L8	L9	L10	L12	L15	L16	L19	L20	L25	L30	L35	L40	L50	L60	L70	L80	L100			
5	MPBZ																					
6																						
8																						
10																						
12																						
13																						
15																						
16																						
18																						
20																						
20A																						
25																						
25A																						
30																						
35																						
40																						
50																						
60																						
80																						
100																						

	Existing Products Copper Alloy		C-VALUE Products Copper Alloy	
	Regular	Unlubricated	Regular	Unlubricated
Lubrication	Regular	Unlubricated	Regular	Unlubricated
Maximum Allowable Surface Pressure	29.0 (98.0) N/mm ²	20.3 (68.6) N/mm ²	29.0 (98.0) N/mm ²	20.3 (68.6) N/mm ²
Maximum Allowable Velocity	1.00m/s	0.5m/s	0.7m/s	0.35m/s
	60m/min	30m/min	42m/min	21m/min

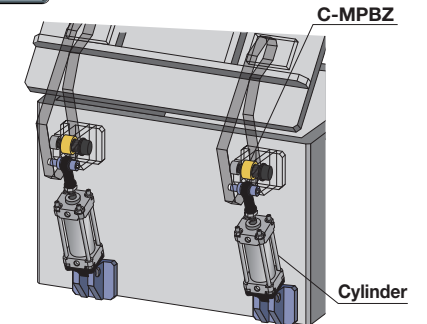
Value in () is the allowable static surface pressure.



Ordering Example: Part Number - L
MPBZ10 - 15

	Existing Products Copper Alloy		C-VALUE Products Copper Alloy	
	Regular	Unlubricated	Regular	Unlubricated
Lubrication	Regular	Unlubricated	Regular	Unlubricated
Maximum Allowable Surface Pressure	29.0 (98.0) N/mm ²	20.3 (68.6) N/mm ²	29.0 (98.0) N/mm ²	20.3 (68.6) N/mm ²
Maximum Allowable Velocity	1.00m/s	0.5m/s	0.7m/s	0.35m/s
	60m/min	30m/min	42m/min	21m/min

Value in () is the allowable static surface pressure.



Part Number	Type	d	Unit Price																			
			L8	L10	L12	L15	L16	L20	L25	L30	L35	L40	L50	L60	L70	L80						
8	C-MPBZ																					
10																						
12																						
13																						
15																						
16																						
18																						
20																						
25																						
30																						
35																						
40																						
50																						

Ordering Example: Part Number - L
C-MPBZ10 - 15