

Clamps for Photoelectric Sensor Mounting

Bases for Sensor Mounting / Holder Pipe

U-Shaped

■ **Features:** Can be mounted right after the purchase since the mounting pitch is applicable to common Photoelectric Sensors.

Type	Material	Surface Treatment	Accessory
Through Hole			
Tapped Hole			
KSTK	KSYK	SS400	Black Oxide
KSTM	KSYM		Electroless Nickel Plating
KSTW	KSYW	A6063	Clear Anodize
KSTB	KSYB		Black Anodize
KSTS	KSYS	SUS304	-

Hex Socket Head Cap Screw (M4 or M5 x 1 pc.)
Tapped Hole: M2.6x2 pcs.
Through Hole: M3x2 pcs.

Through Hole

Tapped Hole

[Example of Photoelectric Sensor Dimensions]
(Representative Sensor Shapes for each Company)

Manufacturer	Representative Shape	①	②	③	④
MISUMI	MZ-T	11	31	20	3
Omron	E3Z-T61	10.8	31	20	3
Keyence	PZ-M51	10.8	34.8	18.6	2.6
Sunx	CX-411	11.2	31	20	3

RoHS10

■ **Through Hole**

Part Number		Unit Price											
Type	DH7	A	B	H	P	W	M	d	KSTK	KSTM	KSTW	KSTB	KSTS
KSTK KSTM KSTW KSTB KSTS	10	+0.015 0	22	13	8	7.8	1.5	M4	4.5				
	12	+0.018 0	25	16	9.5	8.8		M5	5.5				
	15	+0.018 0	28	19	11	10.3							

⚠ Tolerance DH7 is the tolerance before slitting.
⚠ Recommended fit tolerances of mating shafts are g6, f8. For tightening, a long wrench is recommended.

■ **Tapped Hole**

Part Number		Unit Price											
Type	DH7	A	B	H	P	W	M	d	KSYK	KSYM	KSYW	KSYB	KSYS
KSYK KSYM KSYW KSYB KSYS	10	+0.015 0	22	13	8	7.8	1.5	M4	4.5				
	12	+0.018 0	25	16	9.5	8.8		M5	5.5				
	15	+0.018 0	28	19	11	10.3							

⚠ Tolerance DH7 is the tolerance before slitting.
⚠ Recommended fit tolerances of mating shafts are g6, f8. For tightening, a long wrench is recommended.

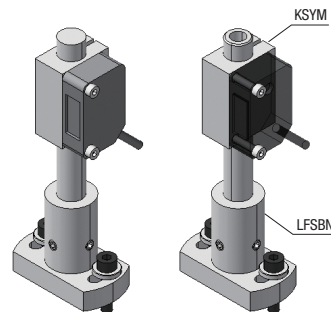
Ordering Example: Part Number **KSYM10**

Example: Combination of these app. examples can be selected on our website.
Selection Detail **P87**
* Enter the search keyword in the search box on e-Catalog.
The search result will be shown in "Modular Assembler" area.
e-Catalog Search Keyword **#MA532** Search

List of Mountable Sensors

Manufacturer	Detection Method	Part Number
MISUMI	Through Beam Type	MZ-T/MZL-T
	Reflective Type (Retroreflective / Diffuse / Wide Angle)	MZ-R/MZ-D/MZ-□□/ MZL-R/MZL-D
Omron	Through Beam Type	E3Z-T6□(K/A)/T8□(K)
	Reflective Type (Retroreflective / Diffused)	E3Z-R6□/R8□/D6□/D8□
Keyence	Through Beam Type	PZ-M5□(P)
	Reflective Type (Retroreflective / Multi)	PZ-M6□(P)/M1□(P)/M3□(P)/V1□(P)/V3□(P)
Sunx	Through Beam Type	CX-41□(P)
	Reflective Type (Mirror / Diffused)	CX-48□(P)/49□(P)/42□(P)

* Some external dimensions may differ from the above photoelectric sensor, however the mounting pitch is the same.
⚠ Photoelectric Sensors P2051-2056



■ **Features:** Posts for devices can be mounted on the plate after mounted sensors or other objects.

Type	Material	Surface Treatment	Accessory
KBSW	Aluminum	Clear Anodize	Hex Socket Head Cap Screw 1 pc.
KBSB		Black Anodize	Cap Screw 1 pc.

[Example of Photoelectric Sensor Dimensions]

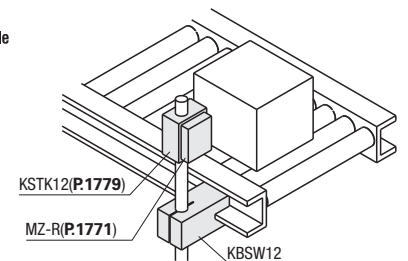
RoHS10

Part Number		Unit Price												
Type	DH7	E	A	B	C	F	S	W	M (Coarse)	d	MA (Coarse)	Unit Price		
KBSW KBSB	8	+0.015 0	15	45	20	15	8	7	2	M6	6.5	M4		
			20	50		20	7							
			20	50		25	7							
	12	+0.018 0	15	45	25	22	7	10	M8	8.5	M6			
			20	50		25	6							
			20	50										

⚠ Tolerance DH7 is the tolerance before slitting.
⚠ Recommended fit tolerances of mating shafts are g6, f8. For tightening, a long wrench is recommended.

Ordering Example: Part Number **KBSW12 - E 20**

Example: **KBSW12**



■ **Features:** Can be used as the holder for Photoelectric Sensors or Proximity Sensors

■ **Holder Pipe**

Part Number		Unit Price	
Type	H	L	
HLPY	4.5	150	250
	5.5		

RoHS10

HLPY

⚠ A cable protector is included.

Material: SS400
Surface Treatment: Electroless Nickel Plating

Ordering Example: Part Number **HLPY4.5 - L 150**

Example: **HLPY**

