

Casters

P.1289



Urethane Casters Fixed Type  
P.1291



Urethane Casters Swivel Type  
P.1292



LOCK

Urethane Casters Swivel With Stopper  
P.1293



Urethane Casters Swivel Screw-in Type  
P.1294



LOCK

Urethane Casters Swivel With Stopper Screw-in Type  
P.1295



PP Casters Fixed Type  
P.1296



PP Casters Swivel Type  
P.1297



LOCK

PP Casters Swivel With Stopper  
P.1298



PP Casters Swivel Screw-in Type  
P.1299



LOCK

PP Casters Swivel With Stopper Screw-in Type  
P.1300



Nylon Casters Fixed Type  
P.1301



Nylon Casters Swivel Type  
P.1302



LOCK

Nylon Casters Swivel With Stopper  
P.1303



Nylon Casters Swivel Screw-in Type  
P.1304



LOCK

Nylon Casters Swivel With Stopper Screw-in Type  
P.1305



TPR Casters Fixed Type  
P.1306



TPR Casters Swivel Type  
P.1307



LOCK

TPR Casters Swivel With Stopper  
P.1308



TPR Casters Swivel Screw-in Type  
P.1309



LOCK

TPR Casters Swivel With Stopper Screw-in Type  
P.1310



Rubber Casters Fixed Type  
P.1311



Rubber Casters Swivel Type  
P.1312



LOCK

Rubber Casters Swivel With Stopper  
P.1313



Rubber Casters Swivel Screw-in Type  
P.1314

**Casters**

**LOCK**



Rubber Casters Swivel With Stopper Screw-in Type  
P.1315

**New Products**



Heavy Load Low Profile Caster Fixed Type  
P.1316

**New Products**



Heavy Load Low Profile Caster Swivel Type  
P.1317

**New Products** **LOCK**



Heavy Load Low Profile Caster Swivel With Stopper  
P.1318

**P.1289**

**New Products**



Heavy Load Casters Fixed Type  
P.1319

**New Products**



Heavy Load Casters Swivel Type  
P.1320

**New Products** **LOCK**



Heavy Load Casters Swivel Type With Stopper  
P.1321

**New Products**



Heavy Load Casters Swivel Screw-in Type  
P.1322

**New Products** **LOCK**



Heavy Load Casters Swivel With Stopper Screw-in Type  
P.1322

**New Products**



Heavy Load Cast Iron Wheel Caster Fixed Type  
P.1323

**New Products**



Heavy Load Cast Iron Wheel Swivel Type  
P.1324

**New Products** **LOCK**



Heavy Load Cast Iron Wheel Caster Swivel With Stopper  
P.1325

**Super Saving Series P.1326 ~ P.1343 ( Available only in Vietnam )**

Casters



**P.1326**

Light Load Urethane, Fixed Type/ Swivel Type / Swivel Type With Stopper  
P.1326 ~ P.1327



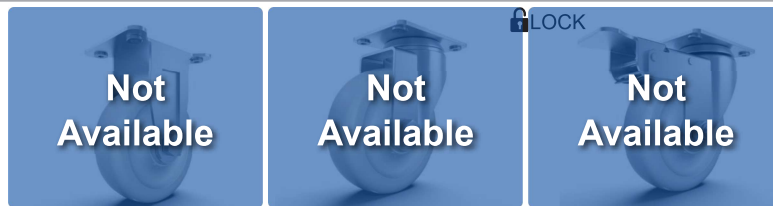
Light Load Urethane, Swivel Type/ Swivel Type With Stopper, Wheel Width 32mm  
P.1328 ~ P.1329



Heavy Load Urethane, Fixed Type / Swivel Type / Swivel Type With Stopper  
P.1330 ~ P.1331



Light Load PP, Swivel Type/ Swivel Type With Stopper  
P.1332 ~ P.1333



Medium Load Nylon, Fixed Type / Swivel Type/ Swivel Type With Stopper  
P.1334 ~ P.1335

**Casters**



**P.1326**

Light Load TPR, Fixed Type/ Swivel Type/ Swivel Type With Stopper  
P.1336 ~ P.1338



Light Load TPR, Fixed Type/ Swivel Type/ Swivel Type With Stopper, Wheel Width 32mm  
P.1339 ~ P.1340



Nylon, Heat Resistant Wheel, Fixed Type  
P.1341

Electrically Conductive Wheel, Swivel Type/ Swivel Type With Stopper  
P.1342 ~ P.1343

**Caster With Leveling Mounts**



Caster With Leveling Mounts Swivel Type  
P.1344



Caster With Leveling Mounts Fixed Screw-in Type  
P.1345

**P.1344**

**Leveling  
Mounts**

**P.1346**



Nylon Pad  
P.1347



Nylon Pad, Universal Type  
P.1348



PVC Yellow Pad  
P.1349



PVC Yellow Pad, With 2 Holes  
P.1350



Metal Pad For Heavy Load  
P.1351



Metal Pad Standard  
P.1352



Anti-Vibration Rubber  
P.1353



For Heavy Load With Anti-Slip Rubber  
P.1354



Bottom Flat With Rubber  
P.1355



Anti-Vibration  
P.1356

**New  
Products**



Metal Body, Universal Type  
P.1357

**New  
Products**



Anti-Slip Rubber Pad, Universal Type  
P.1358

**New  
Products**



Metal Pad With Positioning Holes  
P.1359

**New  
Products**



Eccentric Pad  
P.1360

# Workpiece Reversal Device

Application Industries: **Automotive part** **Packing**

**Electronic & Electrical**

This figure shows a device that turns the workpiece front and back, then transfers it to the conveyor. It is commonly used for workpieces in the reversal section to shorten the production interval, and is widely used in the processing and manufacturing industries of electronic components and automobile parts.



## Reference price

### 01 Caster Swivel Type P.1297



Wheel Material Polypropylene  
Wheel Diameter 75mm  
Mounting Height 105.8mm  
C-CJWJ75-P

**149**  
THB/pcs

Quantity	Unit price	Total price
1	149	149
10	127	1,270

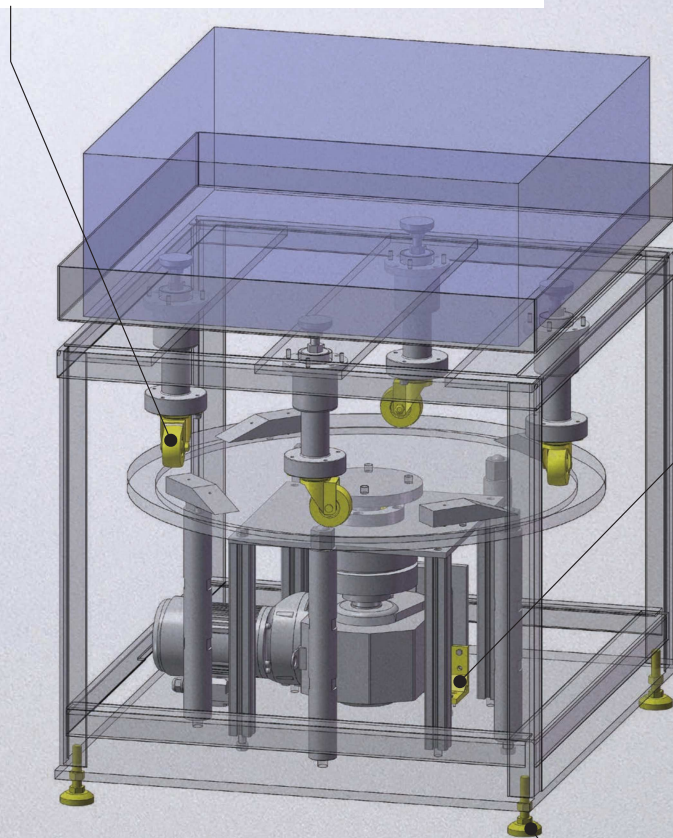
### 02 Bracket P.1221



Profile Size 4040  
Length 38mm  
LBL5050-40

**48**  
THB/pcs

Quantity	Unit price	Total price
1	48	48
30	41	1,230



### 03 Leveling Mounts P.1355



Thread Material Steel  
Thread Length 100mm  
Width 45mm  
Thread Specification M10  
C-CFJGN10-100

**49**  
THB/pcs

Quantity	Unit price	Total price
1	49	49
30	42	1,260

\* All products prices are without tax. For prices reference, please visit MISUMI official website.

## Economy Series Casters

Load Range: 70daN~550daN

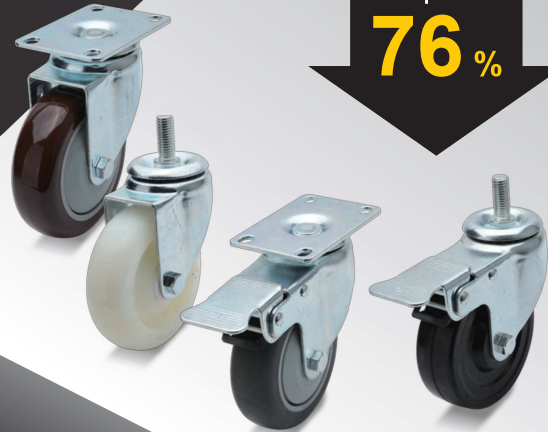
High-quality Material

Strong and Durable Structure

Smooth Rotation

vs Standard Type  
Saving  
up to

**76%**



### Usage difference between MISUMI Economy series and MISUMI standard product

Casters

P.1289

Caster With  
Leveling Mounts


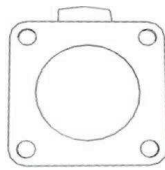

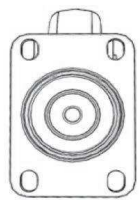
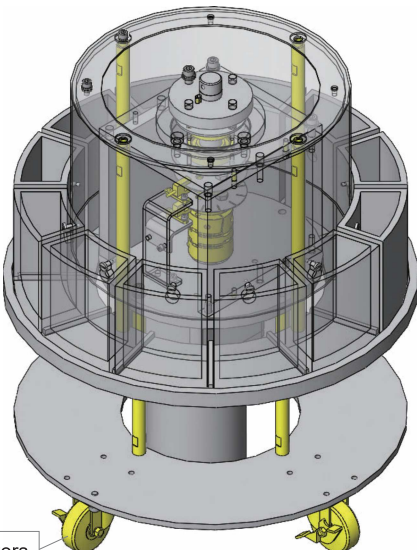
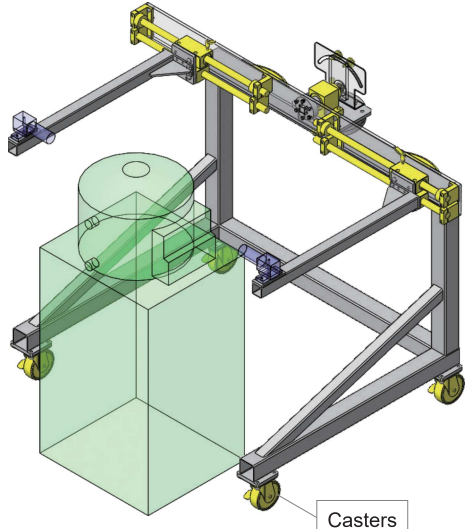
P.1344

Leveling  
Mounts

P.1346

18

Casters / Leveling  
Mounts

	MISUMI standard product	MISUMI Economy series
Appearance and specification differences	  <p>Japanese standard According to Japanese JIS standard</p>	  <p>American standard According to American ANSI ICWM standard</p>
Load difference	 <p>Casters</p> <p>The maximum load of a single caster is 1500daN, which can be used for ultra heavy equipment</p>	 <p>Casters</p> <p>The maximum load of a single caster is 550daN, which can be used for medium and heavy equipment</p>

## Advantages of MISUMI Economy series casters

MISUMI Economy series casters are strictly tested following ANSI ICWM-2018 standard. Besides, the loads are clearly indicated for more assured use.

### Test results under the same allowable load



### Additional dust cover for smoother rotation

Generic products on the market, which make customers confused on usage

Since there is no dust cover on the wheel part, foreign dust is easy to get in the wheel, making the rotation hindered.

**MISUMI Economy series**

The dust cover attached to the wheel prevents contamination and ensures smooth rotation of the wheel.

\* Only urethane and TPR casters have dust covers

\* Generic products on the market are similar products randomly purchased by our company from online or offline markets

## New Products: Economy Series Heavy Load Casters

Low Profile Caster	Common Heavy Load Casters	Cast Iron Wheel Caster
Suitable for medium and heavy equipment that require no frequent movement	Suitable for medium duty trolleys that require frequent movement	Suitable for medium and heavy duty trolleys that require frequent movement
Load: 120daN~300daN	Load: 280daN~400daN	Load: 500daN~550daN

Casters  
P.1289

Caster With Leveling Mounts  
P.1344

Leveling Mounts  
P.1346

18  
Casters / Leveling Mounts





Representative model: C-CJLK100-U

Save Up to **60%** vs Standard Type

**184 THB**



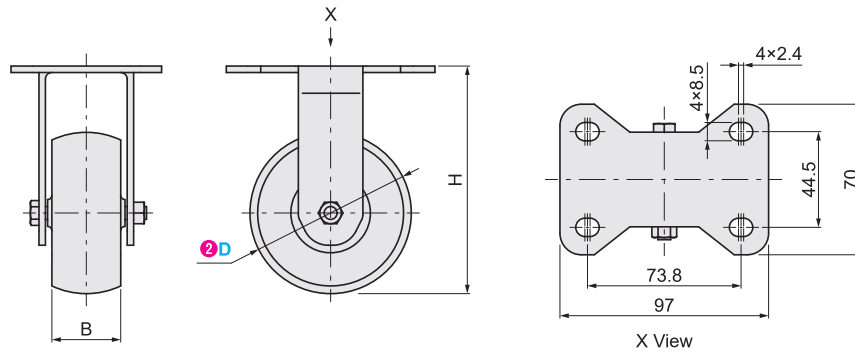
Volume Discount

Quantity	1~9	10~14	15~
Discount	Unit Price	15%	30%



Shipping days may differ by Quantity.  
Quantity of volume discount above is for representative Part No. It may differ by the Part.

Body		Wheel	Bearing	
Material	Surface Treatment	Material (Color)	Rotating Part	Wheel Part
SPHC	Zinc Plating	Urethane (Brownish Red)		Provided



Casters  
P.1289

Caster With Leveling Mounts  
P.1344

Leveling Mounts  
P.1346

18  
Casters / Leveling Mounts

Part Number		3 Wheel Material	Mounting Height H	B	Allowable Load (daN)
1 Type	2 Wheel Dia. D				
C-CJLK	75	U (Urethane)	105.8	32	90
	100		129.3		120
	125		155.5		130

For more information on product specifications and dimensional drawings, please refer to product catalog on the website.

Ordering Example

Please order after selecting part number and parameters according to the selection steps 1 to 3.

Part Number (1 Type · 2 Wheel Dia. D) - 3 Wheel Material  
**C-CJLK100 - U**



By Type  
 Search on MISUMI official website  
**C-CJLK**

By Keyword  
 Step 1 ▶ Search on MISUMI official website  
**urethane caster fixed**

Step 2 ▶ Select MISUMI economy series brand  
 MISUMI  **MISUMI economy**

MISUMI contact

Tel: 038-959200 or 1382  
 Email: cs@misumi.co.th

MISUMI WEB "Chat"



Install MISUMI APP



# Urethane Casters Swivel Type



Representative model: C-CJLJ100-U

Save Up to **59%**  
vs Standard Type

**228**

THB



Volume Discount

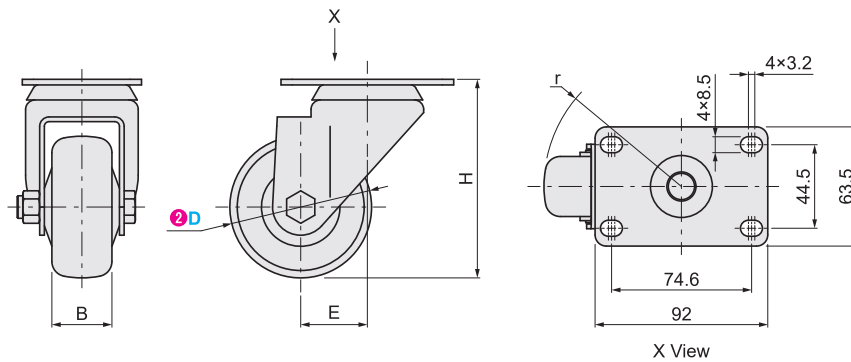
Quantity	1~9	10~14	15~
Discount	Unit Price	15%	30%



Shipping days may differ by Quantity.

Quantity of volume discount above is for representative Part No. It may differ by the Part.

Body		Wheel	Bearing	
Material	Surface Treatment	Material (Color)	Rotating Part	Wheel Part
SPHC	Zinc Plating	Urethane (Brownish Red)	Provided	Provided



Part Number		Wheel Material	Mounting Height H	B	E	r	Allowable Load (daN)
Type	Wheel Dia. D						
C-CJLJ	75	U (Urethane)	105.8	32	32	82	90
	100		129.3				120
	125		155.5				130

For more information on product specifications and dimensional drawings, please refer to product catalog on the website.

Ordering Example

Please order after selecting part number and parameters according to the selection steps 1 to 3.

Part Number (1 Type · 2 Wheel Dia. D) - 3 Wheel Material  
**C-CJLJ100 - U**

How to search on website



By Type Search on MISUMI official website  
**C-CJLJ**

By Keyword Step 1 Search on MISUMI official website  
**urethane caster swivel**

Step 2 Select MISUMI economy series brand



MISUMI contact

Tel: 038-959200 or 1382  
 Email: cs@misumi.co.th

MISUMI WEB "Chat"



Install MISUMI APP



Casters  
 P.1289  
 Caster With Leveling Mounts  
 P.1344  
 Leveling Mounts  
 P.1346  
 18  
 Casters / Leveling Mounts

# Urethane Casters Swivel With Stopper

Representative model: C-CJLS100-U



Save Up to **57%**  
vs Standard Type

Shipping  
from  
**1 day**

**266 THB**

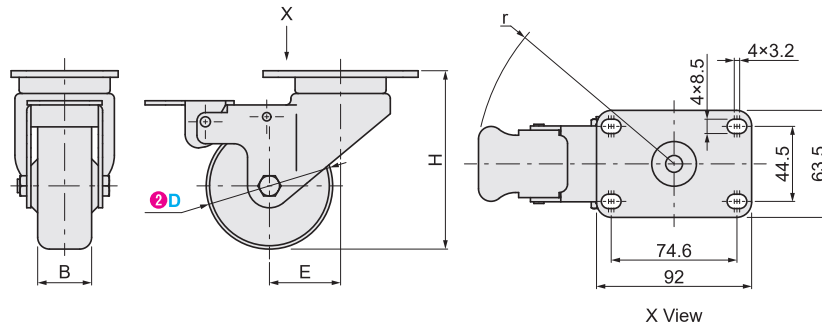
Volume Discount

Quantity	1~9	10~14	15~
Discount	Unit Price	15%	30%



Shipping days may differ by Quantity.  
 Quantity of volume discount above is for representative Part No. It may differ by the Part.

Body		Wheel	Bearing	
Material	Surface Treatment	Material (Color)	Rotating Part	Wheel Part
SPHC	Zinc Plating	Urethane (Brownish Red)	Provided	Provided



Casters  
P.1289

Caster With  
Leveling Mounts  
P.1344

Leveling  
Mounts  
P.1346

18  
Casters / Leveling  
Mounts

Part Number		③ Wheel Material	Mounting Height H	B	E	r	Allowable Load (daN)
① Type	② Wheel Dia. D						
C-CJLS	75	U (Urethane)	105.8	32	42.2	117	90
	100		129.3		36.2		120
	125		155.5		31.6		130

For more information on product specifications and dimensional drawings, please refer to product catalog on the website.

Ordering Example

Please order after selecting part number and parameters according to the selection steps ① to ③.  
**Part Number (① Type · ② Wheel Dia. D) - ③ Wheel Material**  
**C-CJLS100 - U**

How to search on website



By Type  
Search on MISUMI official website  
**C-CJLS**

By Keyword  
Step 1 ▶ Search on MISUMI official website  
**urethane caster swivel**

Step 2 ▶ Select MISUMI economy series brand  
 MISUMI

MISUMI contact

Tel: 038-959200 or 1382  
Email: cs@misumi.co.th

MISUMI WEB "Chat"



Install MISUMI APP



# Urethane Casters Swivel Screw-in Type

Representative model: C-CJLN100-U

Save Up to **68%**  
vs Standard Type

**Shipping**  
from  
**1 day**



**221 THB**

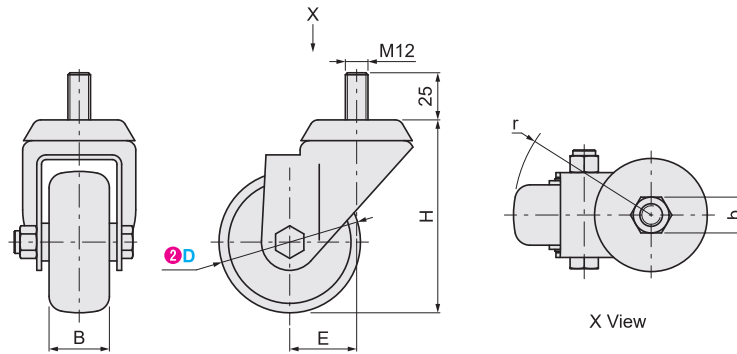
Volume Discount

Quantity	1~9	10~14	15~
Discount	Unit Price	15%	30%



Shipping days may differ by Quantity.  
Quantity of volume discount above is for representative Part No. It may differ by the Part.

Body		Wheel	Bearing	
Material	Surface Treatment	Material (Color)	Rotating Part	Wheel Part
SPHC	Zinc Plating	Urethane (Brownish Red)	Provided	Provided



Part Number		③ Wheel Material	Mounting Height H	B	E	b	r	Allowable Load (daN)
① Type	② Wheel Dia. D							
C-CJLN	75	U (Urethane)	102.3	32	32	19	73.3	90
	100		126.4					120
	125		152.4					130

For more information on product specifications and dimensional drawings, please refer to product catalog on the website.

Ordering Example

Please order after selecting part number and parameters according to the selection steps ① to ③.

Part Number (① Type · ② Wheel Dia. D) - ③ Wheel Material  
C-CJLN100 - U

How to search on website



By Type  
Search on MISUMI official website  
C-CJLN

By Keyword  
Step 1 ▶ Search on MISUMI official website  
Step 2 ▶ Select MISUMI economy series brand  
urethane caster swivel

MISUMI  MISUMI economy

MISUMI contact

Tel: 038-959200 or 1382  
Email: cs@misumi.co.th

MISUMI WEB "Chat"



Install MISUMI APP



Casters  
P.1289  
Caster With Leveling Mounts  
P.1344  
Leveling Mounts  
P.1346  
18  
Casters / Leveling Mounts

# Urethane Casters Swivel With Stopper Screw-in Type

Representative model: C-CJLNS100-U



Save Up to **67%** vs Standard Type

**258**

THB



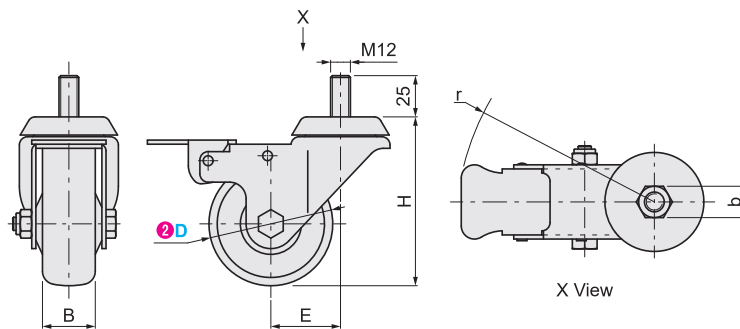
Volume Discount

Quantity	1~9	10~14	15~
Discount	Unit Price	15%	30%



Shipping days may differ by Quantity.  
Quantity of volume discount above is for representative Part No. It may differ by the Part.

Body		Wheel	Bearing	
Material	Surface Treatment	Material (Color)	Rotating Part	Wheel Part
SPHC	Zinc Plating	Urethane (Brownish Red)	Provided	Provided



Part Number		③ Wheel Material	Mounting Height H	B	E	b	r	Allowable Load (daN)
① Type	② Wheel Dia. D							
C-CJLNS	75	U (Urethane)	102.3	32	42.2	19	117	90
	100		126.4					120
	125		152.4					130

For more information on product specifications and dimensional drawings, please refer to product catalog on the website.

Ordering Example

Please order after selecting part number and parameters according to the selection steps ① to ③.

Part Number (① Type · ② Wheel Dia. D) - ③ Wheel Material  
C-CJLNS100 - U

How to search on website



By Type Search on MISUMI official website  
C-CJLNS

By Keyword Step 1 Search on MISUMI official website  
urethane caster swivel

Step 2 Select MISUMI economy series brand



MISUMI contact

Tel: 038-959200 or 1382  
Email: cs@misumi.co.th

MISUMI WEB "Chat"



Install MISUMI APP



Casters  
P.1289  
Caster With Leveling Mounts  
P.1344  
Leveling Mounts  
P.1346  
18  
Casters / Leveling Mounts

Representative model: C-CJWK100-P



Save Up to **53%**  
vs Standard Type

**132**

THB



Volume Discount

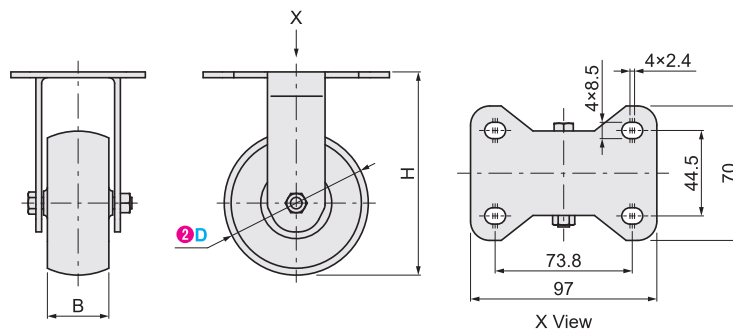
Quantity	1~29	30~49	50~
Discount	Unit Price	15%	30%



Shipping days may differ by Quantity.

Quantity of volume discount above is for representative Part No. It may differ by the Part.

Body		Wheel	Bearing	
Material	Surface Treatment	Material (Color)	Rotating Part	Wheel Part
SPHC	Zinc Plating	Polypropylene (Black)		Not Provided



Part Number		Wheel Material	Mounting Height H	B	Allowable Load (daN)
Type	Wheel Dia. D				
C-CJWK	75	P (Polypropylene)	105.8	32	90
	100		129.3		110
	125		155.5		130

For more information on product specifications and dimensional drawings, please refer to product catalog on the website.

Ordering Example

Please order after selecting part number and parameters according to the selection steps 1 to 3.

Part Number (1 Type · 2 Wheel Dia. D) - 3 Wheel Material  
**C-CJWK100 - P**

How to search on website



By Type Search on MISUMI official website  
**C-CJWK**

By Keyword Step 1 Search on MISUMI official website  
**pp caster fixed**

Step 2 Select MISUMI economy series brand



MISUMI contact

Tel: 038-959200 or 1382  
 Email: cs@misumi.co.th

MISUMI WEB "Chat"



Install MISUMI APP



Casters  
 P.1289  
 Caster With Leveling Mounts  
 P.1344  
 Leveling Mounts  
 P.1346  
 18  
 Casters / Leveling Mounts



Representative model: C-CJWJ100-P

Save Up to **47%** vs Standard Type

**175 THB**



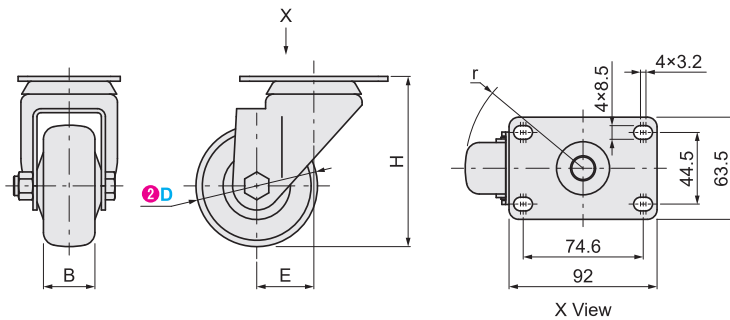
Volume Discount

Quantity	1~9	10~14	15~
Discount	Unit Price	15%	30%



Shipping days may differ by Quantity.  
Quantity of volume discount above is for representative Part No. It may differ by the Part.

Body		Wheel	Bearing	
Material	Surface Treatment	Material (Color)	Rotating Part	Wheel Part
SPHC	Zinc Plating	Polypropylene (Black)	Provided	Not Provided



Casters  
P.1289

Caster With Leveling Mounts  
P.1344

Leveling Mounts  
P.1346

18  
Casters / Leveling Mounts

Part Number		③ Wheel Material	Mounting Height H	B	E	r	Allowable Load (daN)
① Type	② Wheel Dia. D						
C-CJWJ	75	P (Polypropylene)	105.8	32	35.5	73.3	90
	100		129.3		32	82	110
	125		155.5		34.5	97.5	130

For more information on product specifications and dimensional drawings, please refer to product catalog on the website.



Please order after selecting part number and parameters according to the selection steps ① to ③.

Part Number (① Type · ② Wheel Dia. D) - ③ Wheel Material  
C-CJWJ100 - P



By Type Search on MISUMI official website  
C-CJWJ

By Keyword Step 1 ▶ Search on MISUMI official website  
pp caster swivel

Step 2 ▶ Select MISUMI economy series brand  
MISUMI economy

MISUMI contact

Tel: 038-959200 or 1382  
Email: cs@misumi.co.th

MISUMI WEB "Chat"



Install MISUMI APP





Representative model: C-CJWS100-P

Save Up to **50%**  
vs Standard Type

**215**

THB



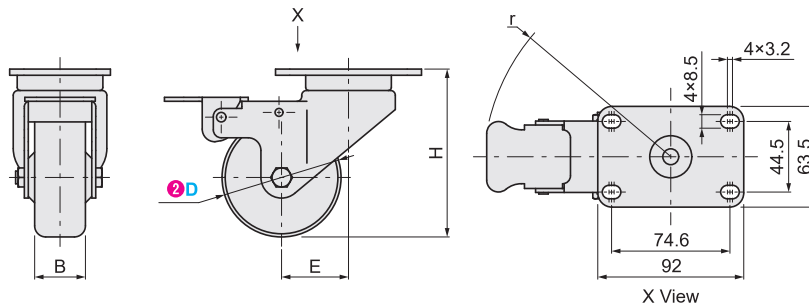
Volume Discount

Quantity	1~9	10~14	15~
Discount	Unit Price	15%	30%



Shipping days may differ by Quantity.  
Quantity of volume discount above is for representative Part No. It may differ by the Part.

Body		Wheel	Bearing	
Material	Surface Treatment	Material (Color)	Rotating Part	Wheel Part
SPHC	Zinc Plating	Polypropylene (Black)	Provided	Not Provided



Part Number		③ Wheel Material	Mounting Height H	B	E	r	Allowable Load (daN)
① Type	② Wheel Dia. D						
C-CJWS	75	P (Polypropylene)	105.8	32	42.2	117	90
	100		129.3		36.2		110
	125		155.5		31.6		130

For more information on product specifications and dimensional drawings, please refer to product catalog on the website.

Ordering Example

Please order after selecting part number and parameters according to the selection steps ① to ③.

Part Number (① Type · ② Wheel Dia. D) - ③ Wheel Material  
C-CJWS100 - P

How to search on website



By Type  
Search on MISUMI official website  
C-CJWS

By Keyword  
Step 1 ▶ Search on MISUMI official website  
pp caster swivel

Step 2 ▶ Select MISUMI economy series brand  
 MiSUMI  MiSUMI economy

MISUMI contact

Tel: 038-959200 or 1382  
Email: cs@misumi.co.th

MISUMI WEB "Chat"



Install MISUMI APP



Casters

P.1289

Caster With Leveling Mounts  
P.1344

Leveling Mounts

P.1346

18

Casters / Leveling Mounts



Representative model: C-CJWN100-P



Save Up to **65%** vs Standard Type

**221**

THB



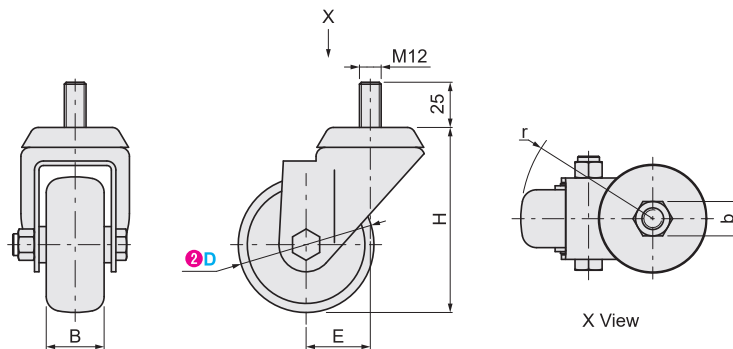
Volume Discount

Quantity	2~9	10~14	15~
Discount	Unit Price	15%	30%



Shipping days may differ by Quantity.  
Quantity of volume discount above is for representative Part No. It may differ by the Part.

Body		Wheel	Bearing	
Material	Surface Treatment	Material (Color)	Rotating Part	Wheel Part
SPHC	Zinc Plating	Polypropylene (Black)	Provided	Not Provided



Part Number		③ Wheel Material	Mounting Height H	B	E	b	r	Allowable Load (daN)
① Type	② Wheel Dia. D							
C-CJWN	75	P (Polypropylene)	102.3	32	32	19	82	90
	100		126.4					110
	125		152.4					130

For more information on product specifications and dimensional drawings, please refer to product catalog on the website.

Ordering Example

Please order after selecting part number and parameters according to the selection steps ① to ③.

Part Number (① Type · ② Wheel Dia. D) - ③ Wheel Material  
C-CJWN100 - P

How to search on website



By Type Search on MISUMI official website  
C-CJWN

By Keyword Step 1 ▶ Search on MISUMI official website  
pp caster swivel

Step 2 ▶ Select MISUMI economy series brand



MISUMI contact

Tel: 038-959200 or 1382  
Email: cs@misumi.co.th

MISUMI WEB "Chat"



Install MISUMI APP



Representative model: C-CJWNS100-P



Save Up to **65%**  
vs Standard Type

**258**

THB



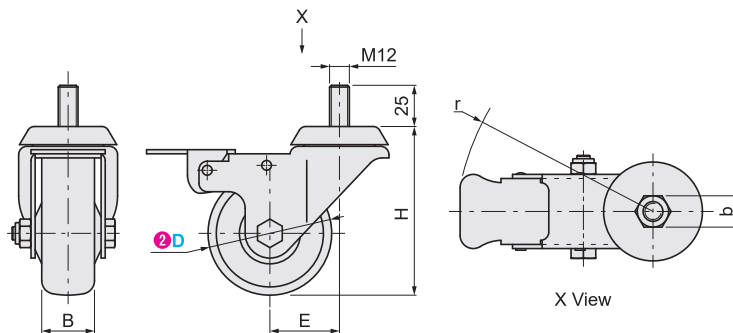
Volume Discount

Quantity	1~9	10~14	15~
Discount	Unit Price	15%	30%



Shipping days may differ by Quantity.  
Quantity of volume discount above is for representative Part No. It may differ by the Part.

Body		Wheel	Bearing	
Material	Surface Treatment	Material (Color)	Rotating Part	Wheel Part
SPHC	Zinc Plating	Polypropylene (Black)	Provided	Not Provided



Part Number		③ Wheel Material	Mounting Height H	B	E	b	r	Allowable Load (daN)
① Type	② Wheel Dia. D							
C-CJWNS	75	P (Polypropylene)	102.3	32	42.2	19	117	90
	100		126.4					110
	125		152.4					130

For more information on product specifications and dimensional drawings, please refer to product catalog on the website.

Ordering Example

Please order after selecting part number and parameters according to the selection steps ① to ③.

Part Number (① Type · ② Wheel Dia. D) - ③ Wheel Material  
C-CJWNS100 - P

How to search on website



By Type  
Search on MISUMI official website  
C-CJWNS

By Keyword  
Step 1 ▶ Search on MISUMI official website  
pp caster swivel

Step 2 ▶ Select MISUMI economy series brand



MISUMI contact

Tel: 038-959200 or 1382  
Email: cs@misumi.co.th

MISUMI WEB "Chat"



Install MISUMI APP



Casters

P.1289

Caster With Leveling Mounts  
P.1344

Leveling Mounts

P.1346

18

Casters / Leveling Mounts

# Nylon Casters Fixed Type

Representative model: C-CJTK100-N



Save Up to **43%** vs Standard Type

**157**

THB



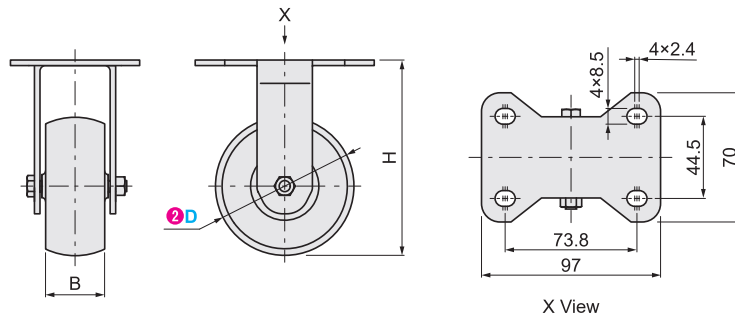
Volume Discount

Quantity	1~9	10~14	15~
Discount	Unit Price	15%	30%



Shipping days may differ by Quantity.  
Quantity of volume discount above is for representative Part No. It may differ by the Part.

Body		Wheel	Bearing	
Material	Surface Treatment	Material (Color)	Rotating Part	Wheel Part
SPHC	Zinc Plating	Nylon (White)		Not Provided



Casters  
P.1289

Caster With Leveling Mounts  
P.1344

Leveling Mounts  
P.1346

18  
Casters / Leveling Mounts

Part Number		③ Wheel Material	Mounting Height H	B	Allowable Load (daN)
① Type	② Wheel Dia. D				
C-CJTK	75	N (Nylon)	105.8	32	110
	100		129.3		130
	125		155.5		150

For more information on product specifications and dimensional drawings, please refer to product catalog on the website.

Ordering Example

Please order after selecting part number and parameters according to the selection steps ① to ③.

Part Number (① Type · ② Wheel Dia. D) - ③ Wheel Material  
C-CJTK100 - N

How to search on website



By Type  
Search on MISUMI official website  
C-CJTK

By Keyword  
Step 1 ▶ Search on MISUMI official website  
Step 2 ▶ Select MISUMI economy series brand  
nylon caster fixed

MISUMI  MISUMI economy

MISUMI contact

Tel: 038-959200 or 1382  
Email: cs@misumi.co.th

MISUMI WEB "Chat"



Install MISUMI APP





Representative model: C-CJTJ100-N

Save Up to **40%**  
vs Standard Type

Shipping  
from  
**1 day**

**201** THB

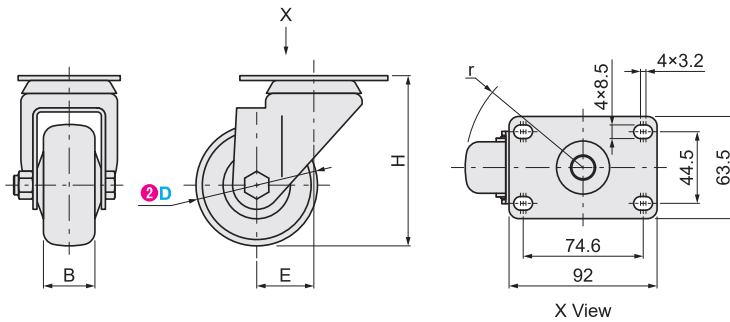
Volume Discount

Quantity	1~9	10~14	15~
Discount	Unit Price	15%	30%



Shipping days may differ by Quantity.  
Quantity of volume discount above is for representative Part No. It may differ by the Part.

Body		Wheel	Bearing	
Material	Surface Treatment	Material (Color)	Rotating Part	Wheel Part
SPHC	Zinc Plating	Nylon (White)	Provided	Not Provided



Part Number		③ Wheel Material	Mounting Height H	B	E	r	Allowable Load (daN)
① Type	② Wheel Dia. D						
C-CJTJ	75	N (Nylon)	105.8	32	35.5	73.3	110
	100		129.3		32	82	130
	125		155.5		34.5	97.5	150

For more information on product specifications and dimensional drawings, please refer to product catalog on the website.

Ordering Example

Please order after selecting part number and parameters according to the selection steps ① to ③.

Part Number (① Type · ② Wheel Dia. D) - ③ Wheel Material  
C-CJTJ100 - N

How to search on website



By Type  
Search on MISUMI official website  
C-CJTJ

By Keyword  
Step 1 ▶ Search on MISUMI official website  
Step 2 ▶ Select MISUMI economy series brand  
nylon caster swivel

MiSUMI

MISUMI contact

Tel: 038-959200 or 1382  
Email: cs@misumi.co.th

MISUMI WEB "Chat"



Install MISUMI APP



Casters

P.1289

Caster With Leveling Mounts  
P.1344

Leveling Mounts

P.1346

18

Casters / Leveling Mounts

# Nylon Casters Swivel With Stopper



Representative model: C-CJTS100-N

Save Up to **44%**  
vs Standard Type

**240**

THB



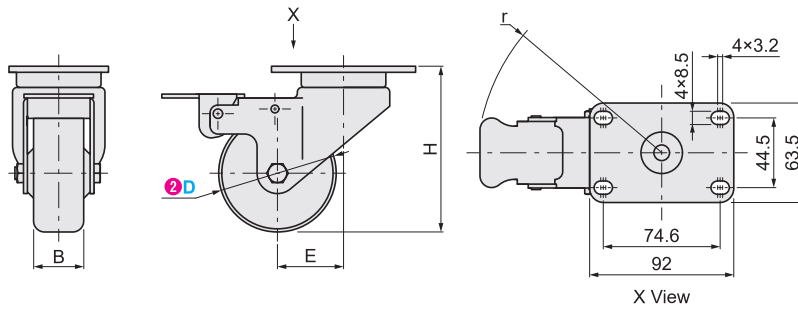
Volume Discount

Quantity	1~9	10~14	15~
Discount	Unit Price	15%	30%



Shipping days may differ by Quantity.  
Quantity of volume discount above is for representative Part No. It may differ by the Part.

Body		Wheel	Bearing	
Material	Surface Treatment	Material (Color)	Rotating Part	Wheel Part
SPHC	Zinc Plating	Nylon (White)	Provided	Not Provided



Casters  
P.1289

Caster With Leveling Mounts  
P.1344

Leveling Mounts  
P.1346

18  
Casters / Leveling Mounts

Part Number		③ Wheel Material	Mounting Height H	B	E	r	Allowable Load (daN)
① Type	② Wheel Dia. D						
C-CJTS	75	N (Nylon)	105.8	32	42.2	117	110
	100		129.3		36.2		130
	125		155.5		31.6		150

For more information on product specifications and dimensional drawings, please refer to product catalog on the website.

Ordering Example

Please order after selecting part number and parameters according to the selection steps ① to ③.  
**Part Number (① Type · ② Wheel Dia. D)** - **③ Wheel Material**  
**C-CJTS100** - **N**



By Type  
Search on MISUMI official website  
**C-CJTS**

By Keyword  
Step 1 ▶ Search on MISUMI official website  
**nylon caster swivel**

Step 2 ▶ Select MISUMI economy series brand  
 MISUMI

MISUMI contact

Tel: 038-959200 or 1382  
Email: cs@misumi.co.th

MISUMI WEB "Chat"



Install MISUMI APP



# Nylon Casters Swivel Screw-in Type

Representative model: C-CJTN100-N



Save Up to **69%**  
vs Standard Type

**195**

THB



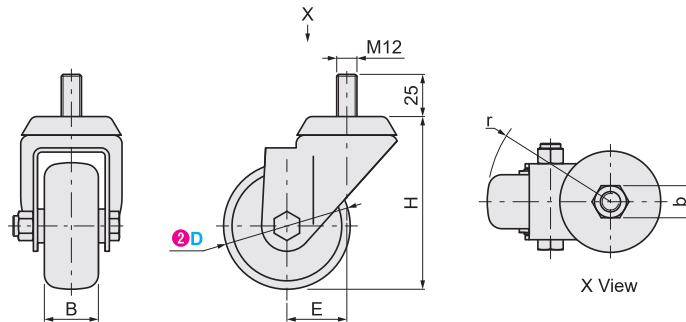
Volume Discount

Quantity	1~9	10~14	15~
Discount	Unit Price	15%	30%



Shipping days may differ by Quantity.  
Quantity of volume discount above is for representative Part No. It may differ by the Part.

Body		Wheel	Bearing	
Material	Surface Treatment	Material (Color)	Rotating Part	Wheel Part
SPHC	Zinc Plating	Nylon (White)	Provided	Not Provided



Part Number		③ Wheel Material	Mounting Height H	B	E	b	r	Allowable Load (daN)	
① Type	② Wheel Dia. D								
C-CJTN	75	N (Nylon)	102.3	32	32	19	73.3	110	
	100		126.4					82	130
	125		152.4					34.5	97.5

For more information on product specifications and dimensional drawings, please refer to product catalog on the website.

Ordering Example

Please order after selecting part number and parameters according to the selection steps ① to ③.

Part Number (① Type · ② Wheel Dia. D) - ③ Wheel Material  
C-CJTN100 - N

How to search on website



By Type Search on MISUMI official website  
C-CJTN

By Keyword Step 1 ▶ Search on MISUMI official website  
nylon caster swivel

Step 2 ▶ Select MISUMI economy series brand



MISUMI contact

Tel: 038-959200 or 1382  
Email: cs@misumi.co.th

MISUMI WEB "Chat"



Install MISUMI APP



Casters  
P.1289  
Caster With Leveling Mounts  
P.1344  
Leveling Mounts  
P.1346  
18  
Casters / Leveling Mounts

# Nylon Casters Swivel With Stopper Screw-in Type

Representative model: C-CJTNS100-N



Save Up to **68%** vs Standard Type

**234**

THB



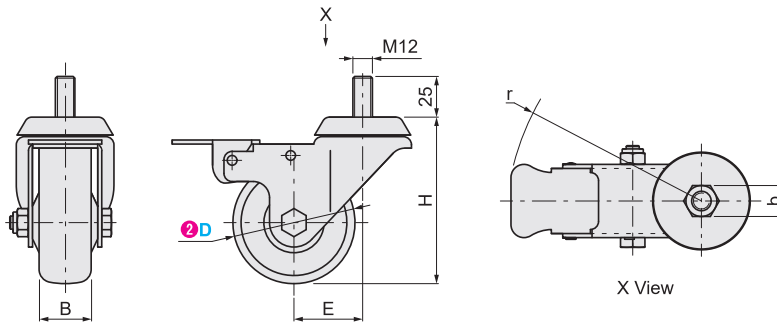
Volume Discount

Quantity	1~9	10~14	15~
Discount	Unit Price	15%	30%



Shipping days may differ by Quantity.  
Quantity of volume discount above is for representative Part No. It may differ by the Part.

Body		Wheel	Bearing	
Material	Surface Treatment	Material (Color)	Rotating Part	Wheel Part
SPHC	Zinc Plating	Nylon (White)	Provided	Not Provided



Casters  
P.1289

Caster With Leveling Mounts  
P.1344

Leveling Mounts  
P.1346

18  
Casters / Leveling Mounts

Part Number		③ Wheel Material	Mounting Height H	B	E	b	r	Allowable Load (daN)
① Type	② Wheel Dia. D							
C-CJTNS	75	N (Nylon)	102.3	32	36.2	19	117	110
	100		126.4					130
	125		152.4					150

For more information on product specifications and dimensional drawings, please refer to product catalog on the website.

Ordering Example

Please order after selecting part number and parameters according to the selection steps ① to ③.

Part Number (① Type · ② Wheel Dia. D) - ③ Wheel Material  
C-CJTNS100 - N

How to search on website



By Type Search on MISUMI official website  
C-CJTNS

By Keyword Step 1 Search on MISUMI official website  
nylon caster swivel

Step 2 Select MISUMI economy series brand



MISUMI contact

Tel: 038-959200 or 1382  
Email: cs@misumi.co.th

MISUMI WEB "Chat"



Install MISUMI APP



Representative model: C-CJFK100-T

Save Up to **60%**  
vs Standard Type

**Shipping**  
from  
**1 day**



**184 THB**

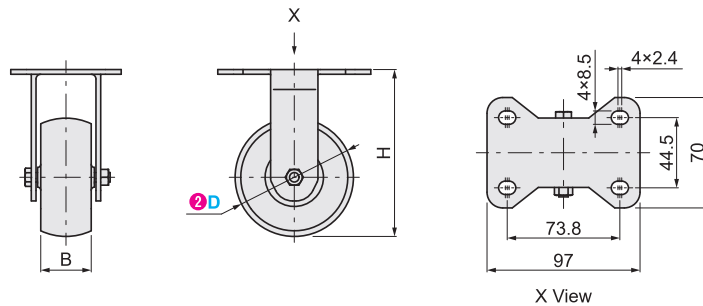
Volume Discount

Quantity	2~9	10~14	15~
Discount	Unit Price	15%	30%



Shipping days may differ by Quantity.  
Quantity of volume discount above is for representative Part No. It may differ by the Part.

Body		Wheel	Bearing	
Material	Surface Treatment	Material (Color)	Rotating Part	Wheel Part
SPHC	Zinc Plating	TPR (Grey)		Provided



Part Number		③ Wheel Material	Mounting Height H	B	Allowable Load (daN)
① Type	② Wheel Dia. D				
C-CJFK	75	T (TPR)	105.8	32	90
	100		129.3		120
	125		155.5		130

For more information on product specifications and dimensional drawings, please refer to product catalog on the website.

Ordering Example

Please order after selecting part number and parameters according to the selection steps ① to ③.

Part Number (① Type · ② Wheel Dia. D) - ③ Wheel Material  
C-CJFK100 - T

How to search on website



By Type  
Search on MISUMI official website  
C-CJFK

By Keyword  
Step 1 ▶ Search on MISUMI official website  
tpr caster fixed

Step 2 ▶ Select MISUMI economy series brand  
 MISUMI  MISUMI economy

MISUMI contact

Tel: 038-959200 or 1382  
Email: cs@misumi.co.th

MISUMI WEB "Chat"



Install MISUMI APP



Casters

P.1289

Caster With Leveling Mounts  
P.1344

Leveling Mounts

P.1346

18

Casters / Leveling Mounts



Representative model: C-CJFJ100-T



Save Up to **59%**  
vs Standard Type

**228**

**THB**



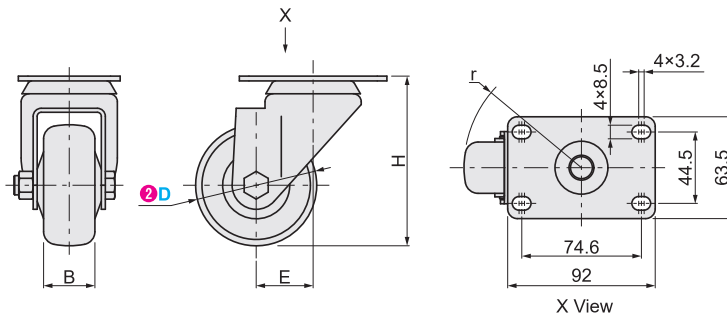
Volume Discount

Quantity	1~9	10~14	15~
Discount	Unit Price	15%	30%



Shipping days may differ by Quantity.  
Quantity of volume discount above is for representative Part No. It may differ by the Part.

Body		Wheel	Bearing	
Material	Surface Treatment	Material (Color)	Rotating Part	Wheel Part
SPHC	Zinc Plating	TPR (Grey)	Provided	Provided



Casters  
P.1289

Caster With Leveling Mounts  
P.1344

Leveling Mounts  
P.1346

18  
Casters / Leveling Mounts

Part Number		③ Wheel Material	Mounting Height H	B	E	r	Allowable Load (daN)
① Type	② Wheel Dia. D						
C-CJFJ	75	T (TPR)	105.8	32	35.5	73.3	90
	100		129.3		32	82	120
	125		155.5		34.5	97.5	130

For more information on product specifications and dimensional drawings, please refer to product catalog on the website.

Ordering Example

Please order after selecting part number and parameters according to the selection steps ① to ③.

Part Number (① Type · ② Wheel Dia. D) - ③ Wheel Material  
C-CJFJ100 - T

How to search on website



By Type  
Search on MISUMI official website  
C-CJFJ

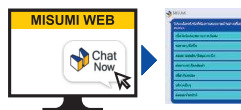
By Keyword  
Step 1 ▶ Search on MISUMI official website  
tpr caster swivel

Step 2 ▶ Select MISUMI economy series brand  
 MISUMI  MISUMI economy

MISUMI contact

Tel: 038-959200 or 1382  
Email: cs@misumi.co.th

MISUMI WEB "Chat"



Install MISUMI APP





Representative model: C-CJFS100-T

Save Up to **57%**  
vs Standard Type

**266**

**THB**



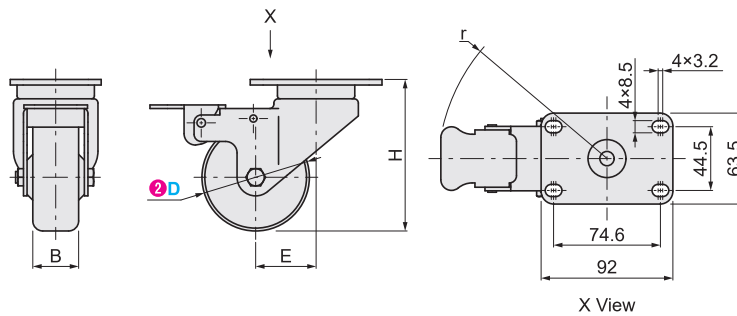
Volume Discount

Quantity	1~9	10~14	15~
Discount	Unit Price	15%	30%



Shipping days may differ by Quantity.  
Quantity of volume discount above is for representative Part No. It may differ by the Part.

Body		Wheel	Bearing	
Material	Surface Treatment	Material (Color)	Rotating Part	Wheel Part
SPHC	Zinc Plating	TPR (Grey)	Provided	Provided



Part Number		③ Wheel Material	Mounting Height H	B	E	r	Allowable Load (daN)
① Type	② Wheel Dia. D						
C-CJFS	75	T (TPR)	105.8	32	42.2	117	90
	100		129.3		36.2		120
	125		155.5		31.6		130

For more information on product specifications and dimensional drawings, please refer to product catalog on the website.

Ordering Example

Please order after selecting part number and parameters according to the selection steps ① to ③.

Part Number (① Type · ② Wheel Dia. D) - ③ Wheel Material  
C-CJFS100 - T

How to search on website



By Type  
Search on MISUMI official website  
C-CJFS

By Keyword  
Step 1 ▶ Search on MISUMI official website  
tpr caster swivel

Step 2 ▶ Select MISUMI economy series brand  
 MISUMI  MISUMI economy

MISUMI contact

Tel: 038-959200 or 1382  
Email: cs@misumi.co.th

MISUMI WEB "Chat"



Install MISUMI APP



Casters

P.1289

Caster With Leveling Mounts  
P.1344

Leveling Mounts

P.1346

18

Casters / Leveling Mounts



Representative model: C-CJFN100-T

Save Up to **76%**  
vs Standard Type

**168**

THB



Volume Discount

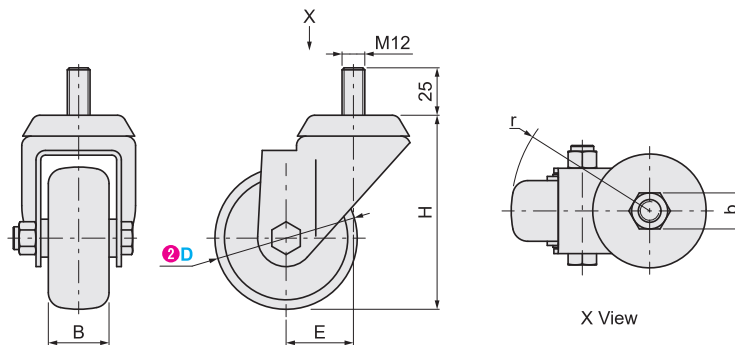
Quantity	1~9	10~14	15~
Discount	Unit Price	15%	30%



Shipping days may differ by Quantity.

Quantity of volume discount above is for representative Part No. It may differ by the Part.

Body		Wheel	Bearing	
Material	Surface Treatment	Material (Color)	Rotating Part	Wheel Part
SPHC	Zinc Plating	TPR (Grey)	Provided	Provided



Part Number		③ Wheel Material	Mounting Height H	B	E	b	r	Allowable Load (daN)
① Type	② Wheel Dia. D							
C-CJFN	75	T (TPR)	102.3	32	32	19	82	90
	100		126.4					120
	125		152.4					130

For more information on product specifications and dimensional drawings, please refer to product catalog on the website.

Ordering Example

Please order after selecting part number and parameters according to the selection steps ① to ③.

Part Number (① Type · ② Wheel Dia. D) - ③ Wheel Material  
C-CJFN100 - T

How to search on website



By Type Search on MISUMI official website  
C-CJFN

By Keyword Step 1 Search on MISUMI official website Step 2 Select MISUMI economy series brand  
tpr caster swivel

MISUMI  MISUMI economy

MISUMI contact

Tel: 038-959200 or 1382  
Email: cs@misumi.co.th

MISUMI WEB "Chat"



Install MISUMI APP



# TPR Casters Swivel With Stopper Screw-in Type



Representative model: C-CJFNS100-T

Save Up to **73%**  
vs Standard Type

**Shipping**  
from  
**1 day**

**207 THB**

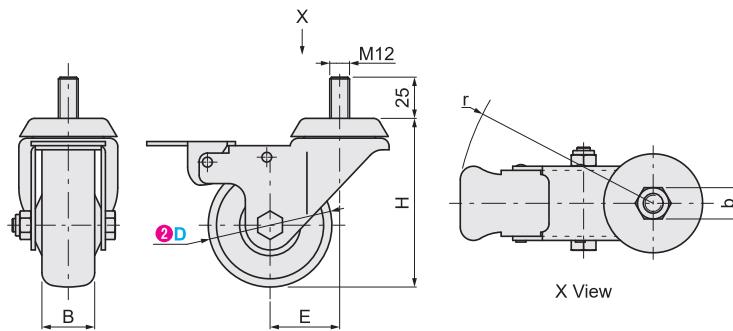
Volume Discount

Quantity	1~9	10~14	15~
Discount	Unit Price	15%	30%



Shipping days may differ by Quantity.  
Quantity of volume discount above is for representative Part No. It may differ by the Part.

Body		Wheel	Bearing	
Material	Surface Treatment	Material (Color)	Rotating Part	Wheel Part
SPHC	Zinc Plating	TPR (Grey)	Provided	Provided



Part Number		③ Wheel Material	Mounting Height H	B	E	b	r	Allowable Load (daN)
① Type	② Wheel Dia. D							
C-CJFNS	75	T (TPR)	102.3	32	42.2	19	117	90
	100		126.4					120
	125		152.4					130

For more information on product specifications and dimensional drawings, please refer to product catalog on the website.

Ordering Example

Please order after selecting part number and parameters according to the selection steps ① to ③.

Part Number (① Type · ② Wheel Dia. D) - ③ Wheel Material  
C-CJFNS100 - T

How to search on website



By Type  
Search on MISUMI official website  
C-CJFNS

By Keyword  
Step 1 ▶ Search on MISUMI official website  
tpr caster swivel

Step 2 ▶ Select MISUMI economy series brand  
 MISUMI  MISUMI economy

MISUMI contact

Tel: 038-959200 or 1382  
Email: cs@misumi.co.th

MISUMI WEB "Chat"



Install MISUMI APP



Casters  
P.1289  
Caster With Leveling Mounts  
P.1344  
Leveling Mounts  
P.1346  
18  
Casters / Leveling Mounts

Representative model: C-CJHK100-R



Save Up to **42%** vs Standard Type

**153**

THB



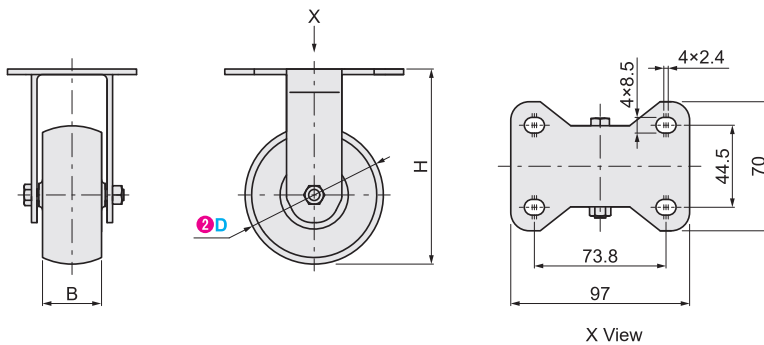
Volume Discount

Quantity	1~9	10~14	15~
Discount	Unit Price	15%	30%



Shipping days may differ by Quantity.  
Quantity of volume discount above is for representative Part No. It may differ by the Part.

Body		Wheel	Bearing	
Material	Surface Treatment	Material (Color)	Rotating Part	Wheel Part
SPHC	Zinc Plating	Rubber (Black)		Not Provided



Casters  
P.1289

Caster With Leveling Mounts  
P.1344

Leveling Mounts  
P.1346

18  
Casters / Leveling Mounts

Part Number		③ Wheel Material	Mounting Height H	B	Allowable Load (daN)
① Type	② Wheel Dia. D				
C-CJHK	75	R (Rubber)	105.8	32	70
	100		129.3		75
	125		155.5		105

For more information on product specifications and dimensional drawings, please refer to product catalog on the website.

Ordering Example

Please order after selecting part number and parameters according to the selection steps ① to ③.

Part Number (① Type · ② Wheel Dia. D) - ③ Wheel Material  
C-CJHK100 - R



By Type Search on MISUMI official website  
C-CJHK

By Keyword Step 1 Search on MISUMI official website  
rubber caster fixed

Step 2 Select MISUMI economy series brand  
 MISUMI  MISUMI economy

MISUMI contact

Tel: 038-959200 or 1382  
Email: cs@misumi.co.th

MISUMI WEB "Chat"



Install MISUMI APP





Representative model: C-CJHJ100-R

Save Up to **42%** vs Standard Type

**199**

THB



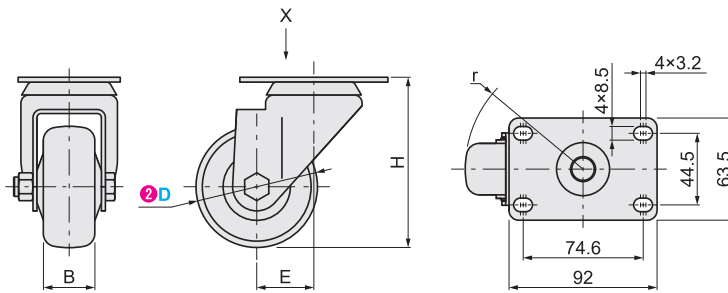
Volume Discount

Quantity	1~9	10~14	15~
Discount	Unit Price	15%	30%



Shipping days may differ by Quantity.  
Quantity of volume discount above is for representative Part No. It may differ by the Part.

Body		Wheel	Bearing	
Material	Surface Treatment	Material (Color)	Rotating Part	Wheel Part
SPHC	Zinc Plating	Rubber (Black)	Provided	Not Provided



X View

Part Number		③ Wheel Material	Mounting Height H	B	E	r	Allowable Load (daN)
① Type	② Wheel Dia. D						
C-CJHJ	75	R (Rubber)	105.8	32	35.5	73.3	70
	100		129.3		32	82	75
	125		155.5		34.5	97.5	105

For more information on product specifications and dimensional drawings, please refer to product catalog on the website.

Ordering Example

Please order after selecting part number and parameters according to the selection steps ① to ③.

Part Number (① Type · ② Wheel Dia. D) - ③ Wheel Material  
C-CJHJ100 - R

How to search on website



By Type Search on MISUMI official website  
C-CJHJ

By Keyword Step 1 Search on MISUMI official website  
rubber caster swivel

Step 2 Select MISUMI economy series brand



MISUMI contact

Tel: 038-959200 or 1382  
Email: cs@misumi.co.th

MISUMI WEB "Chat"



Install MISUMI APP



Casters  
P.1289  
Caster With Leveling Mounts  
P.1344  
Leveling Mounts  
P.1346  
18  
Casters / Leveling Mounts



Representative model: C-CJHS100-R

Save Up to **40%**  
vs Standard Type

**247**

THB



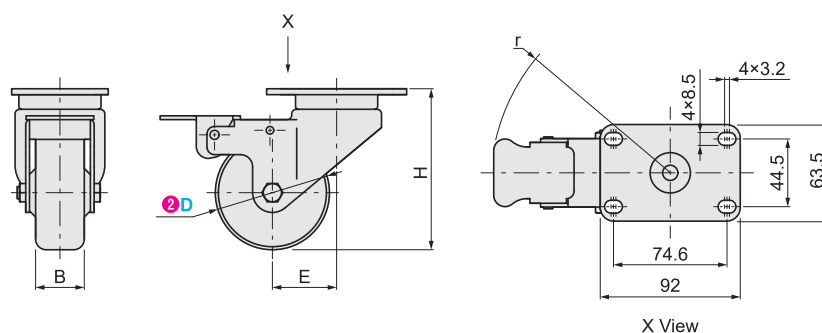
Volume Discount

Quantity	1~9	10~14	15~
Discount	Unit Price	15%	30%



Shipping days may differ by Quantity.  
Quantity of volume discount above is for representative Part No. It may differ by the Part.

Body		Wheel	Bearing	
Material	Surface Treatment	Material (Color)	Rotating Part	Wheel Part
SPHC	Zinc Plating	Rubber (Black)	Provided	Not Provided



**Casters**  
 P.1289  
 Caster With Leveling Mounts  
 P.1344  
 Leveling Mounts  
 P.1346  
**18**  
 Casters / Leveling Mounts

Part Number		③ Wheel Material	Mounting Height H	B	E	r	Allowable Load (daN)
① Type	② Wheel Dia. D						
C-CJHS	75	R (Rubber)	105.8	32	42.2	117	70
	100		129.3		36.2		75
	125		155.5		31.6		105

For more information on product specifications and dimensional drawings, please refer to product catalog on the website.



Please order after selecting part number and parameters according to the selection steps ① to ③.

Part Number (① Type · ② Wheel Dia. D) - ③ Wheel Material  
**C-CJHS100 - R**

How to search on website



By Type Search on MISUMI official website  
**C-CJHS**

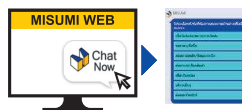
By Keyword Step 1 ▶ Search on MISUMI official website  
**rubber caster swivel**

Step 2 ▶ Select MISUMI economy series brand  
 MISUMI

MISUMI contact

Tel: 038-959200 or 1382  
 Email: cs@misumi.co.th

MISUMI WEB "Chat"



Install MISUMI APP



Representative model: C-CJHN100-R



Save Up to **62%**  
vs Standard Type

**193**

THB



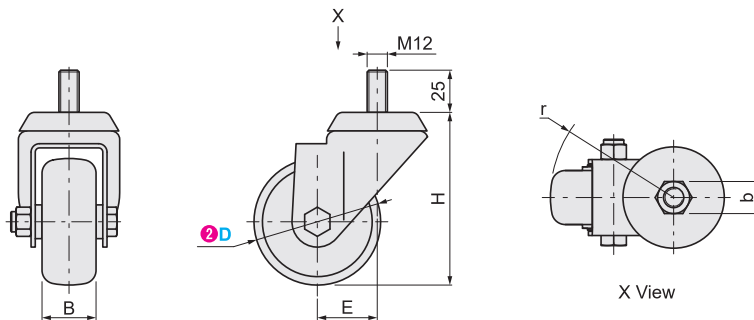
Volume Discount

Quantity	1~9	10~14	15~
Discount	Unit Price	15%	30%



Shipping days may differ by Quantity.  
Quantity of volume discount above is for representative Part No. It may differ by the Part.

Body		Wheel	Bearing	
Material	Surface Treatment	Material (Color)	Rotating Part	Wheel Part
SPHC	Zinc Plating	Rubber (Black)	Provided	Not Provided



Part Number		③ Wheel Material	Mounting Height H	B	E	b	r	Allowable Load (daN)
① Type	② Wheel Dia. D							
C-CJHN	75	R (Rubber)	102.3	32	32	19	73.3	70
	100		126.4					75
	125		152.4					105

For more information on product specifications and dimensional drawings, please refer to product catalog on the website.

Ordering Example

Please order after selecting part number and parameters according to the selection steps ① to ③.

Part Number (① Type · ② Wheel Dia. D) - ③ Wheel Material  
C-CJHN100 - R

How to search on website



By Type  
Search on MISUMI official website  
C-CJHN

By Keyword  
Step 1 ▶ Search on MISUMI official website  
rubber caster swivel

Step 2 ▶ Select MISUMI economy series brand



MISUMI contact

Tel: 038-959200 or 1382  
Email: cs@misumi.co.th

MISUMI WEB "Chat"



Install MISUMI APP



Casters  
P.1289  
Caster With Leveling Mounts  
P.1344  
Leveling Mounts  
P.1346  
18  
Casters / Leveling Mounts





Representative model: C-CJHNS100-R

Save Up to **60%** vs Standard Type

**241**

THB



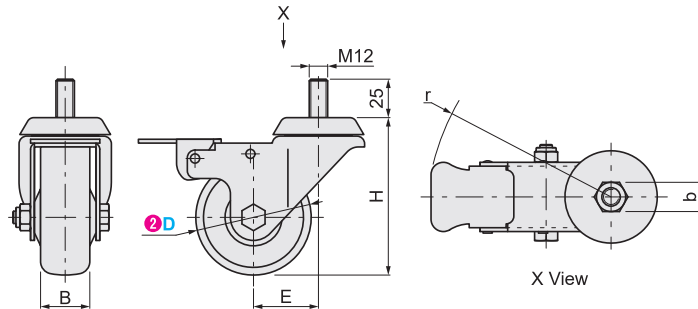
Volume Discount

Quantity	1~9	10~14	15~
Discount	Unit Price	15%	30%



Shipping days may differ by Quantity.  
Quantity of volume discount above is for representative Part No. It may differ by the Part.

Body		Wheel	Bearing	
Material	Surface Treatment	Material (Color)	Rotating Part	Wheel Part
SPHC	Zinc Plating	Rubber (Black)	Provided	Not Provided



Casters  
P.1289

Caster With Leveling Mounts  
P.1344

Leveling Mounts  
P.1346

18  
Casters / Leveling Mounts

Part Number		③ Wheel Material	Mounting Height H	B	E	b	r	Allowable Load (daN)	
① Type	② Wheel Dia. D								
C-CJHNS	75	R (Rubber)	102.3	32	42.2	19	117	70	
	100		126.4					36.2	75
	125		152.4					31.6	105

For more information on product specifications and dimensional drawings, please refer to product catalog on the website.

Ordering Example

Please order after selecting part number and parameters according to the selection steps ① to ③.

Part Number (① Type · ② Wheel Dia. D) - ③ Wheel Material  
C-CJHNS100 - R



By Type  
Search on MISUMI official website  
C-CJHNS

By Keyword  
Step 1 ▶ Search on MISUMI official website  
rubber caster swivel

Step 2 ▶ Select MISUMI economy series brand  
 MISUMI  MISUMI economy

MISUMI contact

Tel: 038-959200 or 1382  
Email: cs@misumi.co.th

MISUMI WEB "Chat"



Install MISUMI APP



New Products

Representative model: E-CLHK75-N



# 321

# THB

Shipping from **1 day**

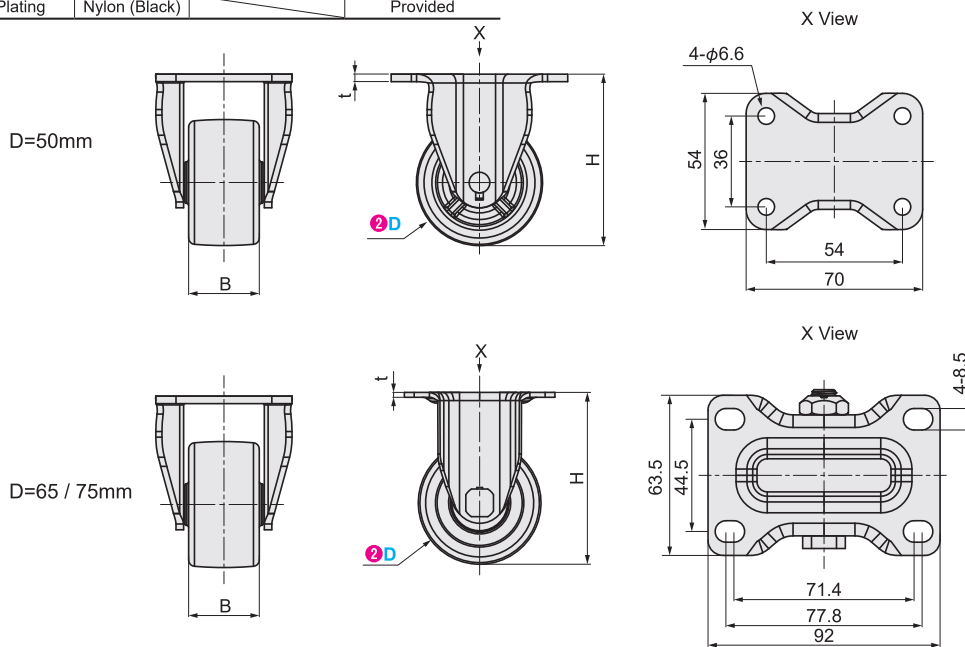
### Volume Discount

Quantity	2~3	4~5	6~
Discount	Unit Price	15%	30%



Shipping days may differ by Quantity.  
Quantity of volume discount above is for representative Part No. It may differ by the Part.

Body		Wheel	Bearing	
Material	Surface Treatment	Material	Rotating Part	Wheel Part
SPHC	Electro Plating	Nylon (Black)		Provided



Part Number		Wheel Material	Mounting Height H	B	t	Allowable Load (daN)
1 Type	2 D					
E-CLHK	50	N (Nylon)	68	28	2.5	120
	65		95.5	38	3	220
	75		105	38	3	300

For more information on product specifications and dimensional drawings, please refer to product catalog on the website.

Ordering Example

Please order after selecting part number and parameters according to the selection steps 1 to 3.

Part Number (1 Type · 2 D) - 3 Wheel Material  
E-CLHK75 - N

How to search on website



By Type Search on MISUMI official website  
E-CLHK

By Keyword Step 1 Search on MISUMI official website  
heavy load caster

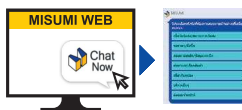
Step 2 Select MISUMI economy series brand



### MISUMI contact

Tel: 038-959200 or 1382  
Email: cs@misumi.co.th

### MISUMI WEB "Chat"



### Install MISUMI APP



Casters

P.1289

Caster With Leveling Mounts

P.1344

Leveling Mounts

P.1346

18

Casters / Leveling Mounts

New Products

Representative model: E-CLHJ75-N



# 383

# THB



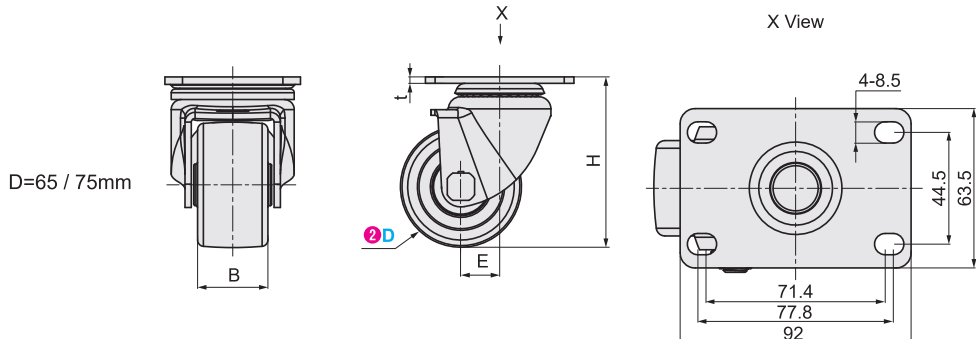
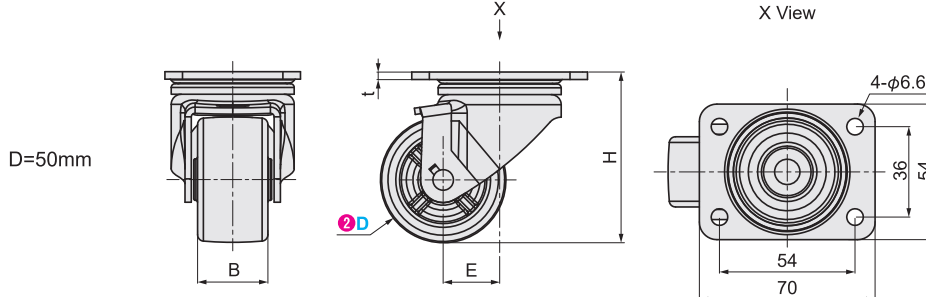
Volume Discount

Quantity	2~3	4~5	6~
Discount	Unit Price	15%	30%



Shipping days may differ by Quantity.  
Quantity of volume discount above is for representative Part No. It may differ by the Part.

Body		Wheel	Bearing	
Material	Surface Treatment	Material	Rotating Part	Wheel Part
SPHC	Electro Plating	Nylon (Black)	Provided	Provided



Casters  
P.1289  
Caster With Leveling Mounts  
P.1344  
Leveling Mounts  
P.1346  
18  
Casters / Leveling Mounts

Part Number		Wheel Material	Mounting Height H	B	E	t	Allowable Load (daN)
Type	D						
E-CLHJ	50	N (Nylon)	68	28	22.5	3	120
	65		95.5	38	24	4	220
	75		105	38	24	4	300

For more information on product specifications and dimensional drawings, please refer to product catalog on the website.

Ordering Example

Please order after selecting part number and parameters according to the selection steps 1 to 3.  
**Part Number (1 Type-2 D)** - **Wheel Material (3)**  
 E-CLHJ75 - N

How to search on website

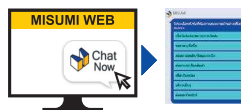
By Type: Search on MISUMI official website

By Keyword: Step 1 Search on MISUMI official website  Step 2 Select MISUMI economy series brand  MISUMI  MISUMI economy

MISUMI contact

Tel: 038-959200 or 1382  
Email: cs@misumi.co.th

MISUMI WEB "Chat"



Install MISUMI APP



New Products

Representative model: E-CLHS75-N



Shipping from 1 day

# 445 THB

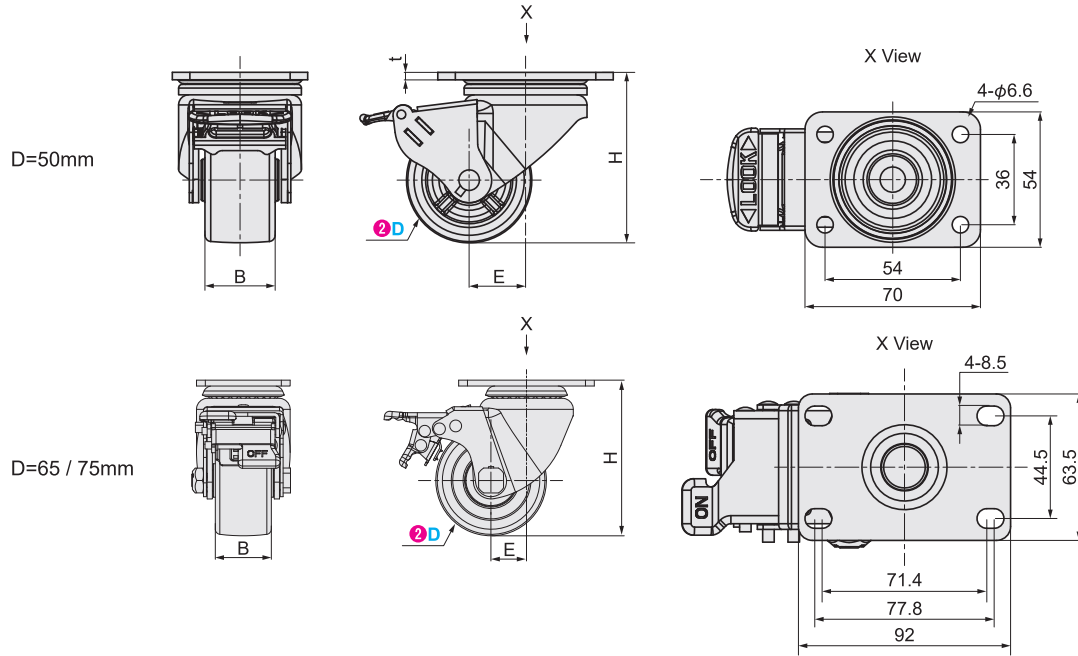
Volume Discount

Quantity	2~3	4~5	6~
Discount	Unit Price	15%	30%



Shipping days may differ by Quantity.  
Quantity of volume discount above is for representative Part No. It may differ by the Part.

Body		Wheel	Bearing	
Material	Surface Treatment	Material	Rotating Part	Wheel Part
SPHC	Electro Plating	Nylon (Black)	Provided	Provided



Part Number		Wheel Material	Mounting Height H	B	E	t	Allowable Load (daN)
Type	D						
E-CLHS	50	N (Nylon)	68	28	22.5	3	120
	65		95.5	38	24	4	220
	75		105	38	24	4	300

For more information on product specifications and dimensional drawings, please refer to product catalog on the website.

Ordering Example

Please order after selecting part number and parameters according to the selection steps 1 to 3.

Part Number (1 Type · 2 D) - Wheel Material (3)  
E-CLHS75 - N



By Type Search on MISUMI official website  
E-CLHS

By Keyword Step 1 Search on MISUMI official website  
heavy load caster

Step 2 Select MISUMI economy series brand  
MISUMI economy

MISUMI contact

Tel: 038-959200 or 1382  
Email: cs@misumi.co.th

MISUMI WEB "Chat"



Install MISUMI APP



Casters P.1289  
Caster With Leveling Mounts P.1344  
Leveling Mounts P.1346  
Casters / Leveling Mounts

New Products

Representative model: E-CPSK100-U



# 500

# THB



Volume Discount

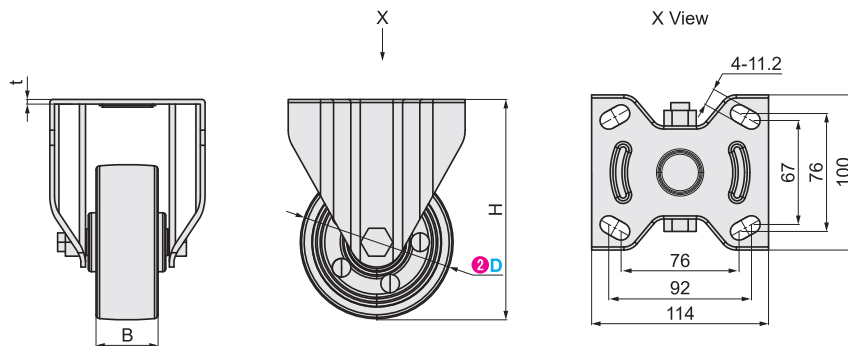
Quantity	2~3	4~5	6~
Discount	Unit Price	15%	30%



Shipping days may differ by Quantity.

Quantity of volume discount above is for representative Part No. It may differ by the Part.

Body		Wheel Face		Wheel Core		Bearing	
Material	Surface Treatment	Material	Material	Surface Treatment	Rotating Part	Wheel Part	
Steel (Q235)	Zinc Plating	Urethane (Brownish Red)	Steel (Q135)	Zinc Plating		Provided	



Casters  
P.1289

Caster With Leveling Mounts  
P.1344

Leveling Mounts  
P.1346

18

Casters / Leveling Mounts

Part Number		Wheel Material	Mounting Height H	B	t	Allowable Load (daN)
Type	2D					
E-CPSK	100	U (Urethane)	142	40	3	280
	125		165	45	3	380
	150		192	45	3	400

For more information on product specifications and dimensional drawings, please refer to product catalog on the website.

Ordering Example

Please order after selecting part number and parameters according to the selection steps 1 to 3.

Part Number (1 Type · 2D) - (3 Wheel Material)  
E-CPSK100 - U

How to search on website



By Type Search on MISUMI official website  
E-CPSK

By Keyword Step 1 Search on MISUMI official website  
heavy load caster

Step 2 Select MISUMI economy series brand  
 MISUMI  MISUMI economy

MISUMI contact

Tel: 038-959200 or 1382  
Email: cs@misumi.co.th

MISUMI WEB "Chat"



Install MISUMI APP



New Products

Representative model: E-CPSJ100-U



# 624

# THB



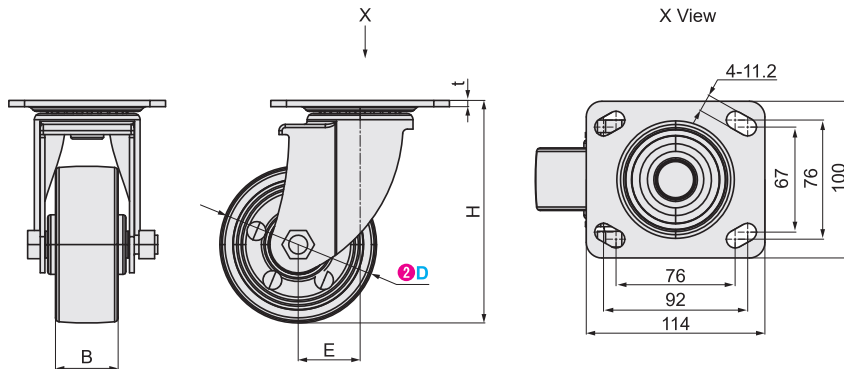
### Volume Discount

Quantity	2~3	4~5	6~
Discount	Unit Price	15%	30%



Shipping days may differ by Quantity.  
Quantity of volume discount above is for representative Part No. It may differ by the Part.

Body		Wheel Face	Wheel Core		Bearing	
Material	Surface Treatment	Material	Material	Surface Treatment	Rotating Part	Wheel Part
Steel (Q235)	Zinc Plating	Urethane (Brownish Red)	Steel (Q135)	Zinc Plating	Provided	Provided



Part Number		Wheel Material	Mounting Height H	B	E	t	Allowable Load (daN)
Type	2D						
E-CPSJ	100	U (Urethane)	142	40	39.5	4	280
	125		165	45	39.5	4	380
	150		192	45	39.5	4	400

For more information on product specifications and dimensional drawings, please refer to product catalog on the website.

Please order after selecting part number and parameters according to the selection steps 1 to 3.

**Ordering Example**

Part Number (1 Type · 2D) - (3 Wheel Material)  
**E-CPSJ100 - U**

**How to search on website**

By Type: Search on MISUMI official website

By Keyword: Step 1 ▶ Search on MISUMI official website Step 2 ▶ Select MISUMI economy series brand  
  MISUMI

**MISUMI contact**  
 Tel: 038-959200 or 1382  
 Email: cs@misumi.co.th

**MISUMI WEB "Chat"**

**Install MISUMI APP**

Casters  
 P.1289  
 Caster With Leveling Mounts  
 P.1344  
 Leveling Mounts  
 P.1346  
 18  
 Casters / Leveling Mounts

New Products

Representative model: E-CPSS100-U



# 641

# THB

Shipping from **1 day**

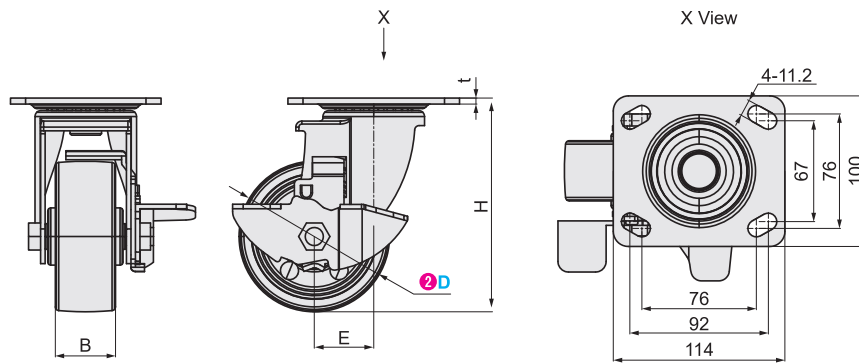
Volume Discount

Quantity	2~3	4~5	6~
Discount	Unit Price	15%	30%



Shipping days may differ by Quantity.  
Quantity of volume discount above is for representative Part No. It may differ by the Part.

Body		Wheel Face	Wheel Core		Bearing	
Material	Surface Treatment	Material	Material	Surface Treatment	Rotating Part	Wheel Part
Steel (Q235)	Zinc Plating	Urethane (Brownish Red)	Steel (Q195)	Zinc Plating	Provided	Provided



Part Number		Wheel Material	Mounting Height H	B	E	t	Allowable Load (daN)
Type	2D						
E-CPSS	100	U (Urethane)	142	40	39.5	4	280
	125		165	45	39.5	4	380
	150		192	45	39.5	4	400

For more information on product specifications and dimensional drawings, please refer to product catalog on the website.

Ordering Example

Please order after selecting part number and parameters according to the selection steps 1 to 3.

Part Number (1 Type · 2D) - (3 Wheel Material)  
E-CPSS100 - U

How to search on website



By Type Search on MISUMI official website  
E-CPSS

By Keyword Step 1 Search on MISUMI official website  
heavy load caster

Step 2 Select MISUMI economy series brand  
 MISUMI  MISUMI economy

MISUMI contact

Tel: 038-959200 or 1382  
Email: cs@misumi.co.th

MISUMI WEB "Chat"



Install MISUMI APP



# Heavy Load Caster Swivel Screw-in Type

New Products

Representative model: E-CPSN100-U



Shipping from 1 day

624 THB

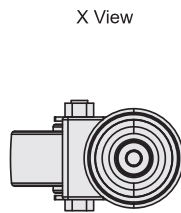
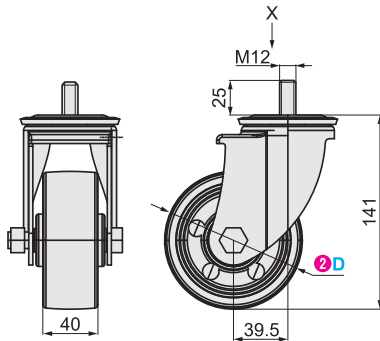
Volume Discount

Quantity	2~3	4~5	6~
Discount	Unit Price	15%	30%



Shipping days may differ by Quantity.  
Quantity of volume discount above is for representative Part No. It may differ by the Part.

Body		Wheel Face	Wheel Core		Bearing		Part Number		Wheel Material	Allowable Load (daN)
Material	Surface Treatment	Material	Material	Surface Treatment	Rotating Part	Wheel Part	1 Type	2 D		
Steel (Q235)	Zinc Plating	Urethane (Brownish Red)	Steel (Q195)	Zinc Plating	Provided	Provided	E-CPSN	100	U (Urethane)	200



Ordering Example

Please order after selecting part number and parameters according to the selection steps ① to ③.  
Part Number (①Type · ②D) - ③Wheel Material  
E-CPSN100 - U

For more information on product specifications and dimensional drawings, please refer to product catalog on the website.

# Heavy Load Caster Swivel With Stopper Screw-in Type

New Products

Representative model: E-CPSNS100-U



Shipping from 1 day

641 THB

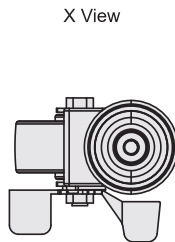
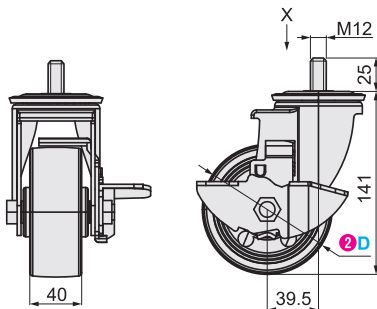
Volume Discount

Quantity	2~3	4~5	6~
Discount	Unit Price	15%	30%



Shipping days may differ by Quantity.  
Quantity of volume discount above is for representative Part No. It may differ by the Part.

Body		Wheel Face	Wheel Core		Bearing		Part Number		Wheel Material	Allowable Load (daN)
Material	Surface Treatment	Material	Material	Surface Treatment	Rotating Part	Wheel Part	1 Type	2 D		
Steel (Q235)	Zinc Plating	Urethane (Brownish Red)	Steel (Q195)	Zinc Plating	Provided	Provided	E-CPSNS	100	U (Urethane)	200



Ordering Example

Please order after selecting part number and parameters according to the selection steps ① to ③.  
Part Number (①Type · ②D) - ③Wheel Material  
E-CPSNS100 - U

For more information on product specifications and dimensional drawings, please refer to product catalog on the website.

How to search on website



By Type: Search on MISUMI official website  
E-CPSNS

By Keyword: Step 1 Search on MISUMI official website  
heavy load caster

Step 2 Select MISUMI economy series brand



Casters  
P.1289  
Caster With Leveling Mounts  
P.1344  
Leveling Mounts  
P.1346  
18  
Casters / Leveling Mounts



New Products

Representative model: E-CSTK150-U



Shipping from 1 day

## 925 THB

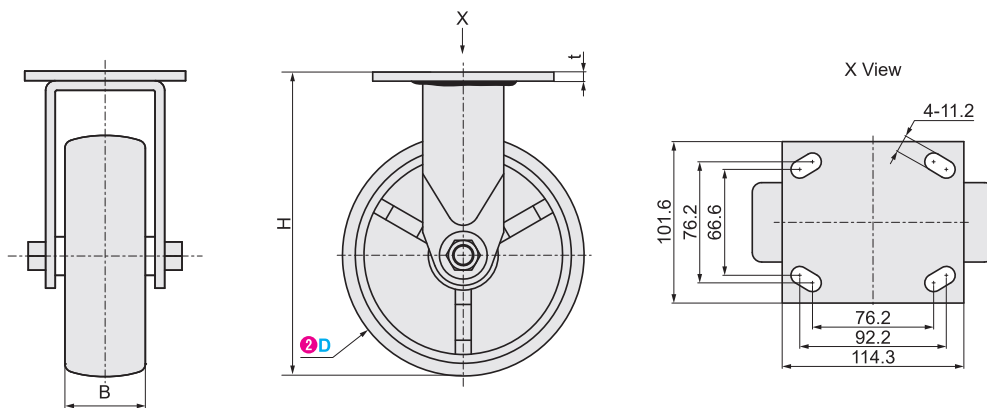
Volume Discount

Quantity	2~3	4~5	6~
Discount	Unit Price	15%	30%



Shipping days may differ by Quantity.  
Quantity of volume discount above is for representative Part No. It may differ by the Part.

Body		Wheel Face	Wheel Core		Bearing	
Material	Surface Treatment	Material	Material	Surface Treatment	Rotating Part	Wheel Part
Steel (Q235)	Zinc Plating	Urethane (Brownish Red)	Steel (HT150)	Black paint coated		Provided



Casters  
P.1289

Caster With Leveling Mounts  
P.1344

Leveling Mounts  
P.1346

18  
Casters / Leveling Mounts

Part Number		Wheel Material	Mounting Height H	B	t	Allowable Load (daN)
Type	D					
E-CSTK	150	U (Urethane)	190.5	50	5.5	500
	200		239.5	50	5.5	550

For more information on product specifications and dimensional drawings, please refer to product catalog on the website.

Ordering Example

Please order after selecting part number and parameters according to the selection steps 1 to 3.

Part Number (1 Type · 2 D) - 3 Wheel Material  
E-CSTK150 - U

How to search on website



By Type: Search on MISUMI official website  
E-CSTK

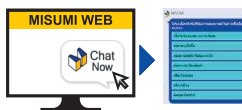
By Keyword: Step 1 Search on MISUMI official website  
heavy load caster

Step 2 Select MISUMI economy series brand  
 MISUMI  MISUMI economy

MISUMI contact

Tel: 038-959200 or 1382  
Email: cs@misumi.co.th

MISUMI WEB "Chat"



Install MISUMI APP



New Products

Representative model: E-CSTJ150-U



Shipping from 1 day

1,000 THB

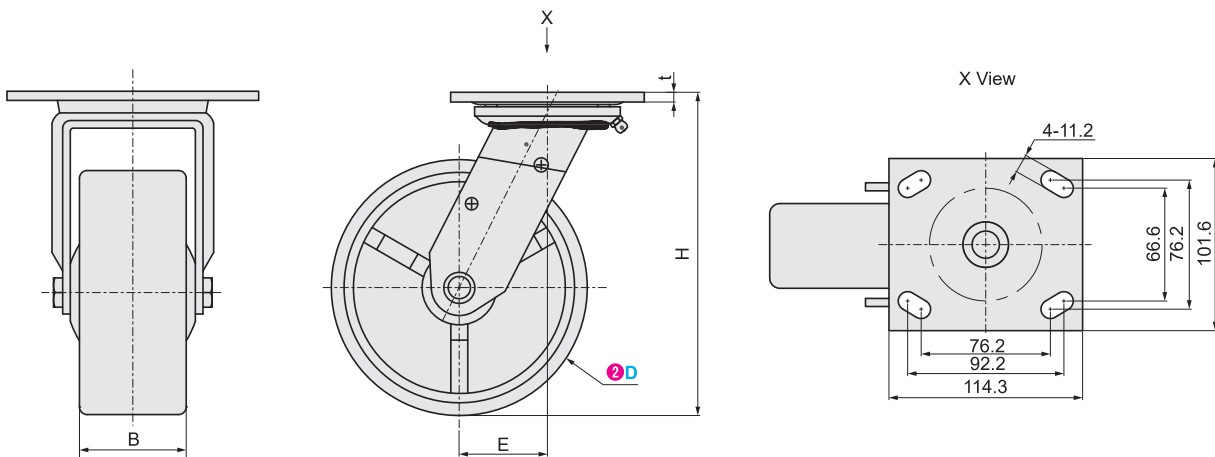
Volume Discount

Quantity	2~3	4~5	6~
Discount	Unit Price	15%	30%



Shipping days may differ by Quantity.  
Quantity of volume discount above is for representative Part No. It may differ by the Part.

Body		Wheel Face	Wheel Core		Bearing	
Material	Surface Treatment	Material	Material	Surface Treatment	Rotating Part	Wheel Part
Steel (Q235)	Zinc Plating	Urethane (Brownish Red)	Steel (HT150)	Black paint coated	Provided	Provided



Casters  
P.1289  
Caster With Leveling Mounts  
P.1344  
Leveling Mounts  
P.1346  
18  
Casters / Leveling Mounts

Part Number		Wheel Material	Mounting Height H	B	E	t	Allowable Load (daN)
Type	2D						
E-CSTJ	150	U (Urethane)	190.5	50	52.5	5.5	500
	200		239.5	50	66.5	5.5	550

For more information on product specifications and dimensional drawings, please refer to product catalog on the website.

Ordering Example

Please order after selecting part number and parameters according to the selection steps 1 to 3.

Part Number (1 Type · 2 D) - 3 Wheel Material  
E-CSTJ150 - U

How to search on website



By Type

Search on MISUMI official website

E-CSTJ

By Keyword

Step 1 Search on MISUMI official website

heavy load caster

Step 2 Select MISUMI economy series brand



MISUMI contact

Tel: 038-959200 or 1382  
Email: cs@misumi.co.th

MISUMI WEB "Chat"



Install MISUMI APP



New Products

Representative model: E-CSTJS150-U



Shipping from 1 day

# 1,163 THB

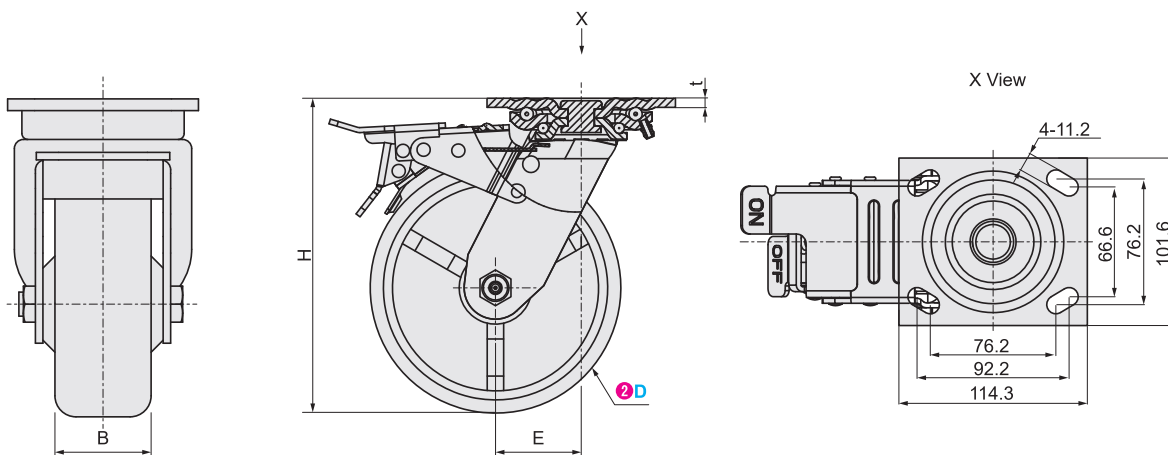
Volume Discount

Quantity	2~3	4~5	6~
Discount	Unit Price	15%	30%



Shipping days may differ by Quantity.  
Quantity of volume discount above is for representative Part No. It may differ by the Part.

Body		Wheel Face	Wheel Core		Bearing	
Material	Surface Treatment	Material	Material	Surface Treatment	Rotating Part	Wheel Part
Steel (Q235)	Zinc Plating	Urethane (Brownish Red)	Steel (HT150)	Black paint coated	Provided	Provided



Casters  
P.1289  
Caster With Leveling Mounts  
P.1344

Leveling Mounts  
P.1346  
18  
Casters / Leveling Mounts

Part Number		Wheel Material	Mounting Height H	B	E	t	Allowable Load (daN)
Type	D						
E-CSTJS	150	U (Urethane)	190.5	50	52.5	5.5	500
	200		239.5	50	66.5	5.5	550

For more information on product specifications and dimensional drawings, please refer to product catalog on the website.

Please order after selecting part number and parameters according to the selection steps 1 to 3.

Ordering Example  
Part Number (1 Type · 2 D) - 3 Wheel Material  
E-CSTJS150 - U

How to search on website

By Type: Search on MISUMI official website  
Type:

By Keyword: Step 1 Search on MISUMI official website Step 2 Select MISUMI economy series brand  
Keyword:   MISUMI  MISUMI economy

### MISUMI contact

Tel: 038-959200 or 1382  
Email: cs@misumi.co.th

### MISUMI WEB "Chat"



### Install MISUMI APP



# Light Load Urethane Casters Fixed Type



Not

Available

Body	Material	Surface Treatment	Part Number	H	Allowable Load (daN)	Mass (g)
Wheel	Urethane (Dark Red)	-	E-DL57-10PU-75	75	105	90
			E-DL59-10PU-100	100	130	110
			E-DL60-10PU-125	125	155	130

Product images are for representative purposes only.

Ordering Example: Part Number E-DL57-10PU-75

# Light Load Urethane Casters Swivel Type



Body	Material	Surface Treatment	Part Number	Mount Type	D	H	E	r	Allowable Load (daN)	Mass (g)
Wheel	Urethane (Dark Red)	-	E-DL53-20PU-75	Plate Mount	75	105	33	72	90	770
			E-DL55-20PU-100		100	130	31.5	82	110	770
			E-DL56-20PU-125		125	155	30	93	130	840
			E-DL65-20PU-75CV	Screw-in Mount	75	105	33	72	90	770
			E-DL67-20PU-100C		100	130	31.5	82	110	770
			E-DL68-20PU-125C		125	155	30	93	130	840

Product images are for representative purposes only.

Ordering Example: Part Number E-DL53-20PU-75

How to search on website



By Type Search on MISUMI official website  
E-DL

By Keyword Step 1 Search on MISUMI official website  
urethane caster swivel

Step 2 Select MISUMI economy series brand



Casters

P.1289

Caster With Leveling Mounts

P.1344

Leveling Mounts

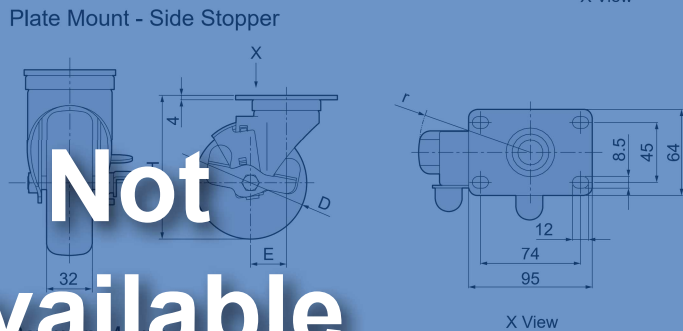
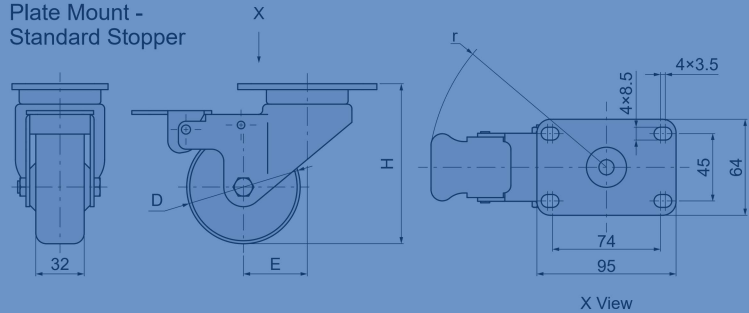
P.1346

18

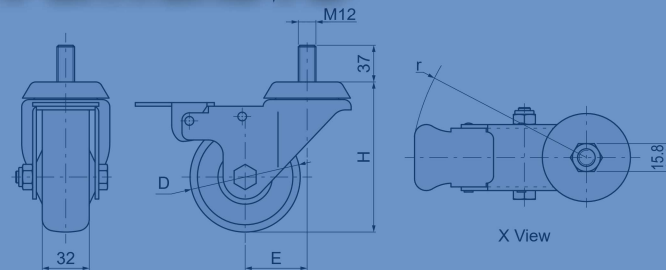
Casters / Leveling Mounts



	Material	Surface Treatment
Body	Steel	Zinc Plating
Wheel	Urethane (Dark Red)	-



**Not Available**



Part Number	Mount Type	Stopper Type	D	H	E	r	Allowable Load (daN)	Mass (g)
E-DL61-22PU-75	Plate Mount	Standard Stopper	75	105	33	108	90	780
E-DL63-22PU-100			100	130	31.5	108	110	790
E-DL73-21PU-75	Screw-in Mount	Side Stopper	75	105	33	108	90	780
E-DL75-21PU-100			100	130	31.5	108	110	790
E-DL69-22PU-75CV	Screw-in Mount	Standard Stopper	75	105	33	108	90	780
E-DL71-22PU-100CV			100	130	31.5	108	110	790

Product images are for representative purposes only.

Ordering Example

Part Number  
E-DL61-22PU-75

How to search on website



By Type  
Search on MISUMI official website  
E-DL

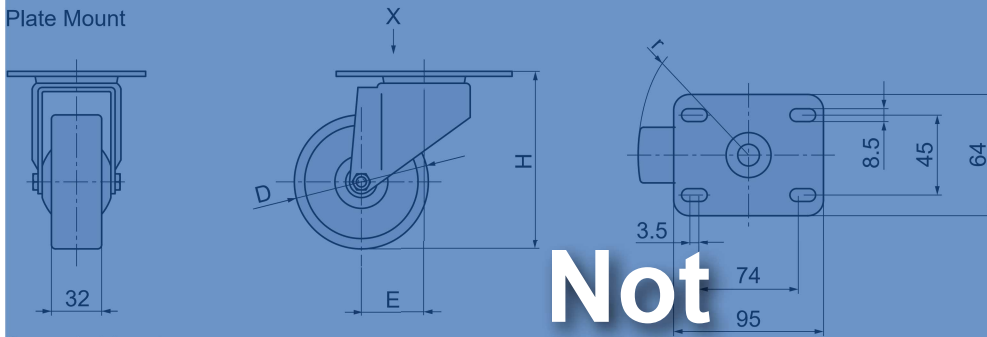
By Keyword  
Step 1 Search on MISUMI official website  
Step 2 Select MISUMI economy series brand  
urethane caster swivel

MISUMI economy

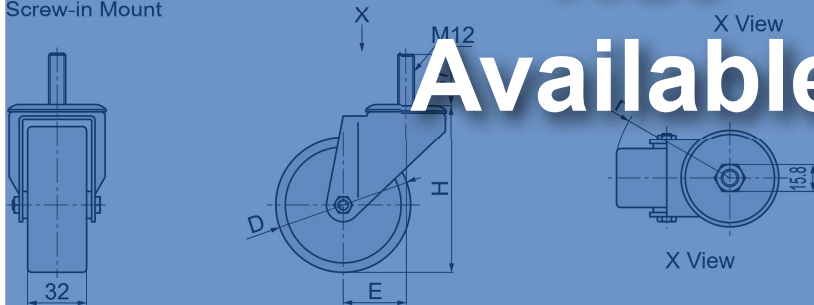


	Material	Surface Treatment
Body	Steel	Zinc Plating
Wheel	Urethane (Dark Red)	-

Plate Mount



Screw-in Mount



**Not Available**

Part Number	Mount Type	D	H	E	r	Allowable Load (daN)	Mass (g)
<a href="#">E-DL13-20PU-100</a>	Plate Mount	100	130	31.5	108	110	770
<a href="#">E-DL15-20PU-100CV</a>	Screw-in Mount	100	130	31.5	108	110	770

Product images are for representative purposes only.

Ordering Example

Part Number  
**E-DL13-20PU-100**

How to search on website



By Type

Search on MISUMI official website

E-DL

By Keyword

Step 1 Search on MISUMI official website

urethane caster swivel

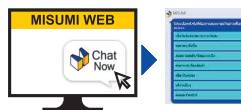
Step 2 Select MISUMI economy series brand



### MISUMI contact

Tel: 038-959200 or 1382  
Email: [cs@misumi.co.th](mailto:cs@misumi.co.th)

### MISUMI WEB "Chat"



### Install MISUMI APP

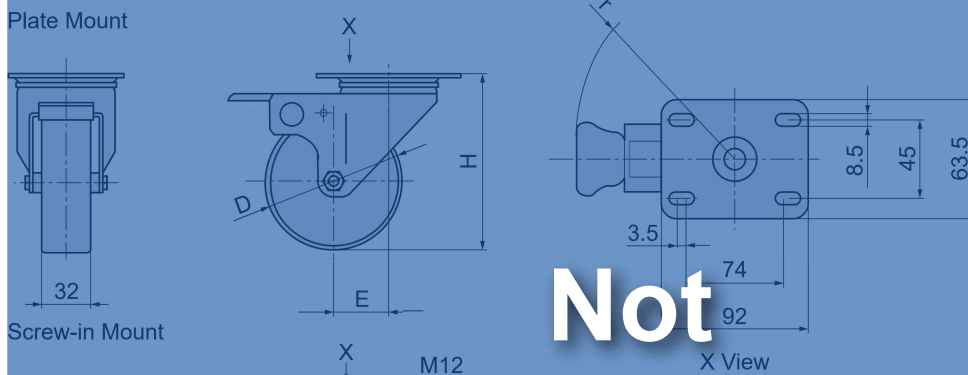


Casters  
P.1289  
Caster With Leveling Mounts  
P.1344  
Leveling Mounts  
P.1346  
18  
Casters / Leveling Mounts

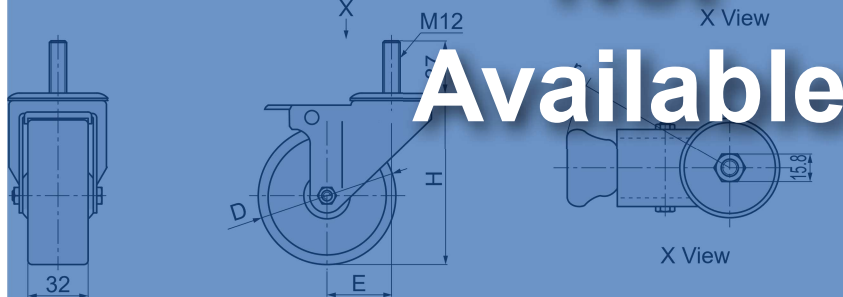


	Material	Surface Treatment
Body	Steel	Zinc Plating
Wheel	Urethane (Dark Red)	-

Plate Mount



Screw-in Mount



# Not Available

Part Number	Mount Type	D	H	E	r	Allowable Load (daN)	Mass (g)
<a href="#">E-DL14-22PU-100</a>	Plate Mount	100	130	31.5	108	110	790
<a href="#">E-DL16-22PU-100CV</a>	Screw-in Mount	100	130	31.5	108	110	790

Product images are for representative purposes only.

Ordering Example

Part Number  
**E-DL14-22PU-100**



By Type  
Search on MISUMI official website  
E-DL

By Keyword  
Step 1 Search on MISUMI official website  
Step 2 Select MISUMI economy series brand  
urethane caster swivel

MISUMI economy

MISUMI contact


Tel: 038-959200 or 1382  
Email: [cs@misumi.co.th](mailto:cs@misumi.co.th)

MISUMI WEB "Chat"



Install MISUMI APP

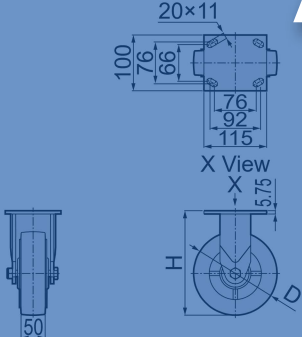




**Not Available**


CAD 2D

	Material	Surface Treatment	Part Number	D	H	Allowable Load (daN)	Mass (g)
Body	Steel	Zinc Plating	-	100	144	250	1950
Wheel	Urethane (Bright Red)	-	E-DL101-10PU-125TN	125	165	300	2700
			E-DL102-10PU-150TN	150	188	380	2880



Product images are for representative purposes only.

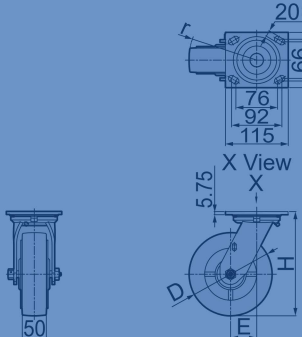
Ordering Example: **Part Number**  
E-DL100-10PU-100TN



**Not Available**

CAD 2D

	Material	Surface Treatment	Part Number	D	H	r	E	Allowable Load (daN)	Mass (g)
Body	Steel	Zinc Plating	E-DL97-20PU-100TN	100	144	80	37	250	2290
Wheel	Urethane (Bright Red)	-	E-DL98-20PU-125TN	125	165	93	40	300	3000
			E-DL99-20PU-150TN	150	188	110	49	380	3060



Product images are for representative purposes only.

Ordering Example: **Part Number**  
E-DL97-20PU-100TN

How to search on website



By Type

Search on MISUMI official website

E-DL



By Keyword

Step 1 Search on MISUMI official website

urethane caster swivel



Step 2 Select MISUMI economy series brand



Casters

P.1289

Caster With Leveling Mounts

P.1344

Leveling Mounts

P.1346

18

Casters / Leveling Mounts



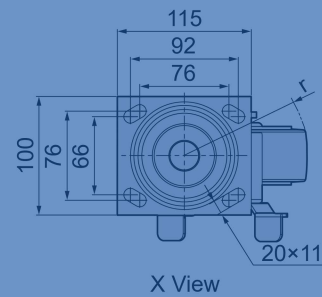
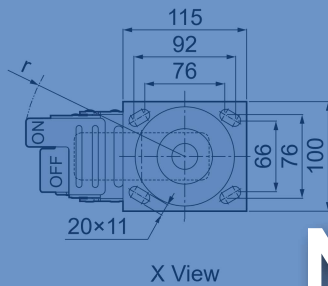


CAD 2D

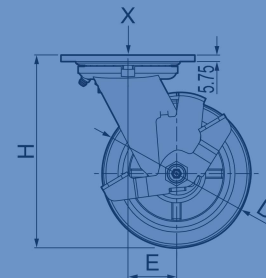
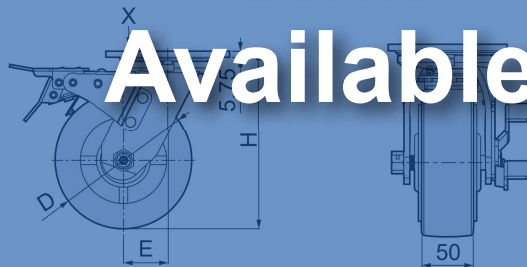
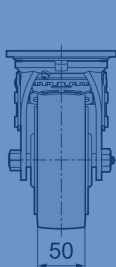
	Material	Surface Treatment
Body	Steel	Zinc Plating
Wheel	Urethane (Bright Red)	-

Standard Stopper

Side Stopper



# Not Available



Part Number	Stopper Type	D	H	r	E	Allowable Load (daN)
E-DL103-22PU-100TN	Standard Stopper	100	144	80	37	250
E-DL105-22PU-150TN		150	188	110	49	380
E-DL106-21PU-100TN	Side Stopper	100	144	139	37	250
E-DL108-21PU-150TN		150	191	147	49	380

Product images are for representative purposes only.

Ordering Example

Part Number  
E-DL103-22PU-100TN

How to search on website



By Type  
Search on MISUMI official website  
E-DL

By Keyword  
Step 1 Search on MISUMI official website  
Step 2 Select MISUMI economy series brand  
urethane caster swivel

MISUMI economy

MISUMI contact

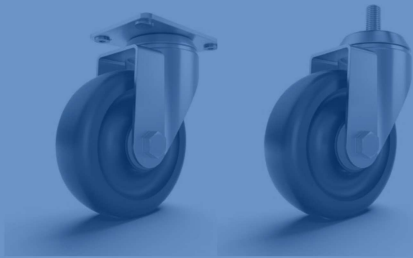
Tel: 038-959200 or 1382  
Email: cs@misumi.co.th

MISUMI WEB "Chat"



Install MISUMI APP

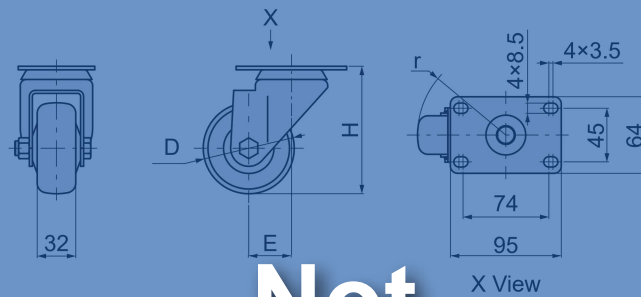




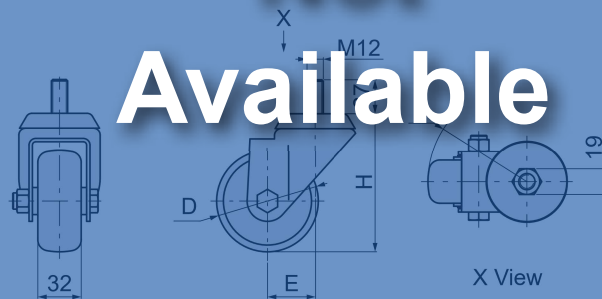
CAD 2D

	Material	Surface Treatment
Body	Steel	Zinc Plating
Wheel	Polypropylene (Black)	-

Plate Mount



Screw-in Mount



**Not Available**

Part Number	Mount Type	D	H	E	r	Allowable Load (daN)	Mass (g)
E-DL1-20PP-75	Plate Mount	75	105	33	72	90	550
E-DL2-20PP-100		100	130	31.5	82	120	790
E-DL3-20PP-125		125	155	30	93	130	840
E-DL7-20PP-75CV	Screw-in Mount	75	105	33	108	90	550
E-DL8-20PP-100CV		100	130	31.5	108	120	790
E-DL9-20PP-125CV		125	155	30	108	140	840

Product images are for representative purposes only.

Ordering Example

Part Number  
E-DL1-20PP-75

How to search on website



By Type Search on MISUMI official website  
E-DL

By Keyword Step 1 Search on MISUMI official website  
pp caster swivel

Step 2 Select MISUMI economy series brand



MISUMI contact

Tel: 038-959200 or 1382  
Email: cs@misumi.co.th

MISUMI WEB "Chat"



Install MISUMI APP



Casters

P.1289

Caster With Leveling Mounts

P.1344

Leveling Mounts

P.1346

18

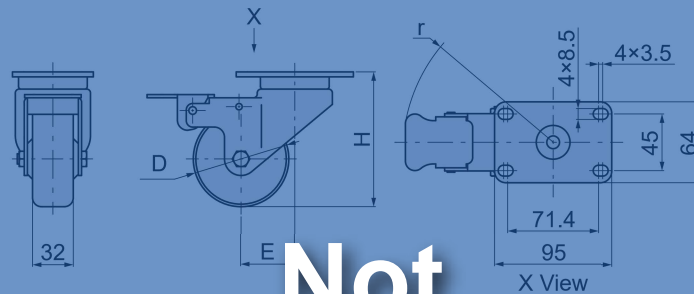
Casters / Leveling Mounts



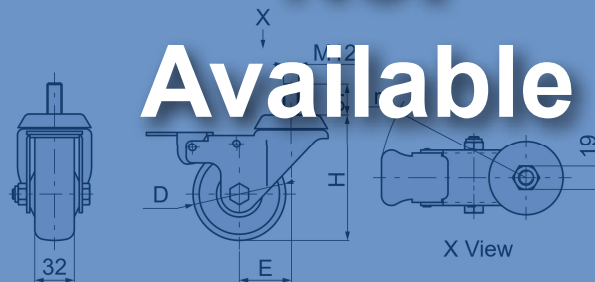
CAD 2D

	Material	Surface Treatment
Body	Steel	Zinc Plating
Wheel	Polypropylene (Black)	-

Plate Mount



Screw-in Mount



# Not Available

Part Number	Mount Type	D	H	E	r	Allowable Load (daN)	Mass (g)
E-DL4-22PP-75	Plate Mount	75	105	33	108	90	570
E-DL5-22PP-100		100	130	31.5	108	120	800
E-DL6-22PP-125		125	155	30	108	140	860
E-DL10-22PP-75CV	Screw-in Mount	75	105	33	108	90	570
E-DL11-22PP-100CV		100	130	31.5	108	120	800
E-DL12-22PP-125CV		125	155	30	108	140	860

Product images are for representative purposes only.

Ordering Example

Part Number  
E-DL4-22PP-75

How to search on website



By Type  
Search on MISUMI official website  
E-DL

By Keyword  
Step 1 ▶ Search on MISUMI official website  
pp caster swivel

Step 2 ▶ Select MISUMI economy series brand

MISUMI

MISUMI contact

Tel: 038-959200 or 1382  
Email: cs@misumi.co.th


MISUMI WEB "Chat"



Install MISUMI APP



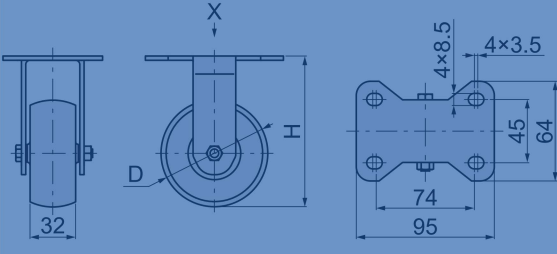
# Medium Load Nylon Casters Fixed Type



**Not Available**

	Material	Surface Treatment	Part Number	D	H	Allowable Load (daN)	Mass (g)
Body	Steel	Zinc Plating	E-DL26-10NYPP-100	100	130	120	1400
Wheel	Nylon (White)						

Product images are for representative purposes only.



Ordering Example: Part Number E-DL26-10NYPP-100

Casters  
P.1289

Caster With Leveling Mounts  
P.1344


Leveling Mounts

P.1346

18

Casters / Leveling Mounts

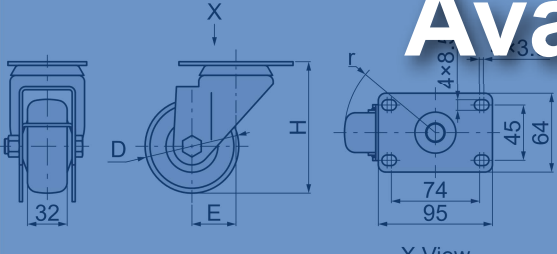
# Medium Load Nylon Casters Swivel Type



**Not Available**

	Material	Surface Treatment	Part Number	D	H	E	r	Allowable Load (daN)	Mass (g)
Body	Steel	Zinc Plating	E-DL23-20NYPP-75	75	105	33	72	90	1600
Wheel	Nylon (White)		E-DL25-20NYPP-125	125	155	30	93	140	1900

Product images are for representative purposes only.



Ordering Example: Part Number E-DL23-20NYPP-75

How to search on website



By Type Search on MISUMI official website  
E-DL

By Keyword Step 1 Search on MISUMI official website  
nylon caster swivel

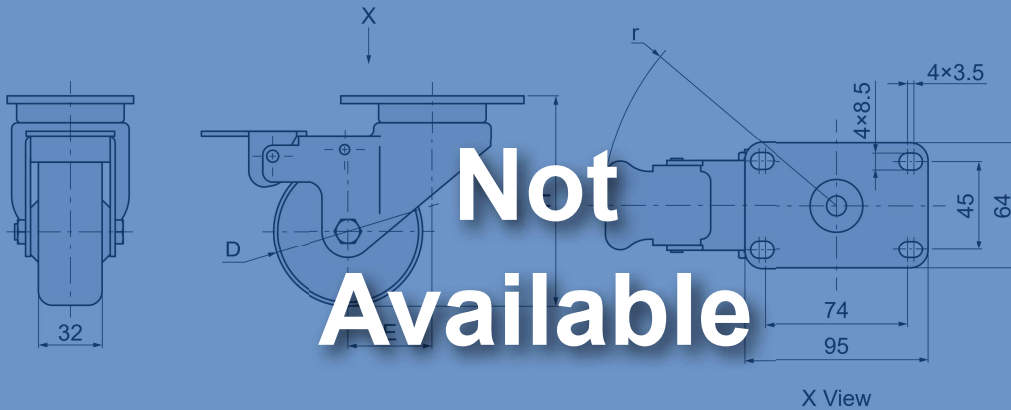
Step 2 Select MISUMI economy series brand

MISUMI economy



↓ CAD 2D

	Material	Surface Treatment
Body	Steel	Zinc Plating
Wheel	Nylon (White)	-



Casters  
P.1289

Caster With Leveling Mounts  
P.1344

Leveling Mounts  
P.1346

18

Casters / Leveling Mounts

Part Number	D	H	E	r	Allowable Load (daN)	Mass (g)
E-DL27-22NYPP-75	75	105	33	108	90	2000
E-DL28-22NYPP-100	100	130	31.5	108	120	2200
E-DL29-22NYPP-125	125	155	30	108	140	2300

Product images are for representative purposes only.

Ordering Example

Part Number  
E-DL27-22NYPP-75

How to search on website



By Type  
Search on MISUMI official website  
E-DL

By Keyword  
Step 1 Search on MISUMI official website  
Step 2 Select MISUMI economy series brand  
nylon caster swivel

MISUMI  MISUMI economy

MISUMI contact

Tel: 038-959200 or 1382  
Email: cs@misumi.co.th


MISUMI WEB "Chat"



Install MISUMI APP



# Light Load TPR Casters Fixed Type



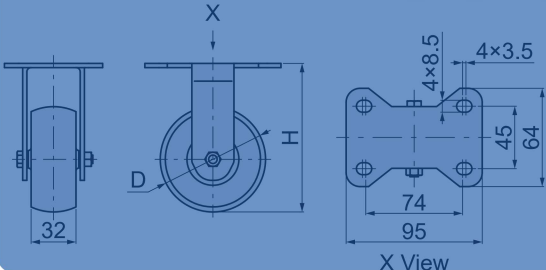
**Not Available**

CAD 2D


	Material	Surface Treatment	Part Number	D	H	Allowable Load (daN)	Mass (g)
Body	Steel	Zinc Plating	E-DL77-20TPR-75	75	105	90	760
Wheel	TPR (Black)	-	E-DL78-20TPR-100	100	130	100	790
			E-DL84-10TPR-125	125	155	120	790

Product images are for representative purposes only.

Ordering Example: **Part Number** E-DL81-10TPR-75



# Light Load TPR Casters Swivel Type



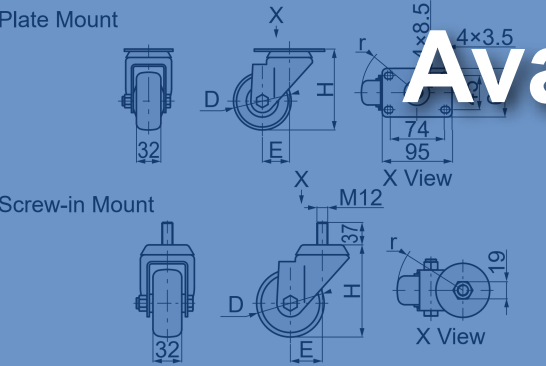
**Not Available**

CAD 2D

	Material	Surface Treatment	Part Number	Mount Type	D	H	E	r	Allowable Load (daN)	Mass (g)
Body	Steel	Zinc Plating	E-DL77-20TPR-75	Plate Mount	75	105	33	72	90	760
Wheel	TPR (Black)	-	E-DL78-20TPR-100		100	130	31.5	82	100	790
			E-DL84-10TPR-125		125	155	30	93	120	800
			E-DL77-20TPR-75	Screw-in Mount	75	105	33	72	80	760
			E-DL94-20TPR-100CV		100	130	31.5	82	100	790
			E-DL96-20TPR-125CV		125	155	30	93	120	800

Product images are for representative purposes only.

Ordering Example: **Part Number** E-DL77-20TPR-75



**How to search on website**

By Type: Search on MISUMI official website

By Keyword: Step 1 Search on MISUMI official website  Step 2 Select MISUMI economy series brand  MISUMI  MISUMI economy

Casters P.1289

Caster With Leveling Mounts P.1344

Leveling Mounts P.1346

18 Casters / Leveling Mounts



CAD 2D

	Material	Surface Treatment
Body	Steel	Zinc Plating
Wheel	TPR (Grey)	-

Plate Mount - Standard Stopper

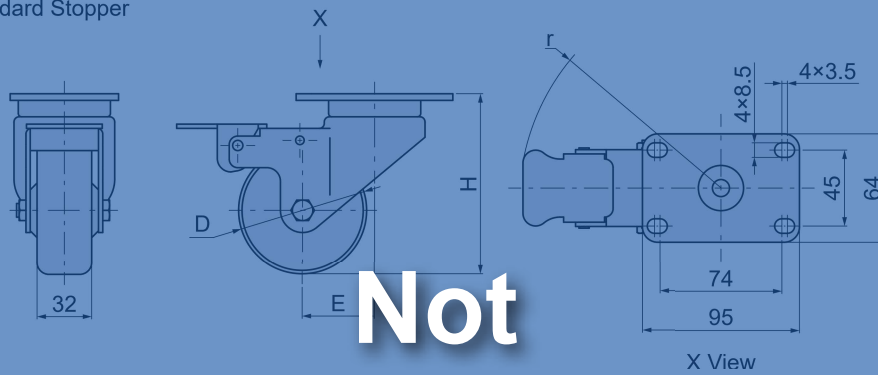
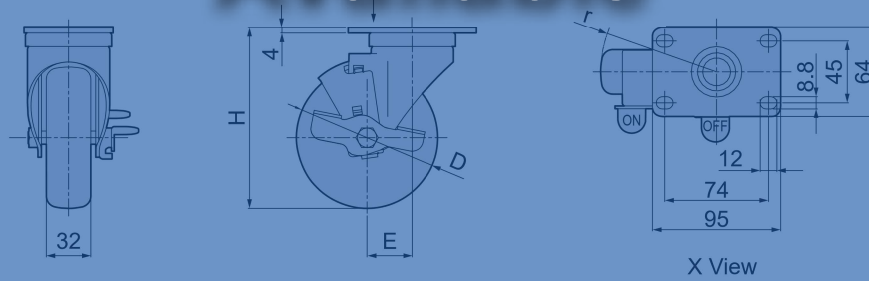
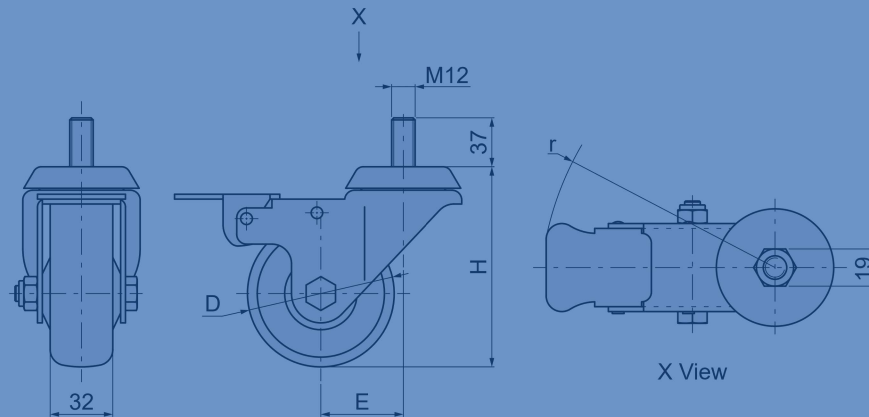


Plate Mount - Side Stopper



Screw-in Mount



**Not Available**

Casters  
P.1289

Caster With Leveling Mounts  
P.1344

Leveling Mounts  
P.1346

18  
Casters / Leveling Mounts

Part Number	Mount Type	Stopper Type	D	H	E	r	Allowable Load (daN)	Mass (g)
E-DL85-22TPR-75	Plate Mount	Standard Stopper	75	105	33	108	80	775
E-DL86-22TPR-100			100	130	33	108	110	800
E-DL88-22TPR-125			125	155	30	108	120	810
E-DL89-21TPR-75		Side Stopper	75	105	33	108	80	780
E-DL92-21TPR-125			125	155	30	108	120	815
E-DL110-22TPR-75CV			Screw-in Mount	Standard Stopper	75	105	33	108
E-DL111-22TPR-100CV	100	130			31.5	108	110	800
E-DL123-22TPR-125CV	125	155			30	108	120	810

Product images are for representative purposes only.

Ordering Example

Part Number  
E-DL89-21TPR-75

How to search on website



By Type Search on MISUMI official website  
E-DL

By Keyword Step 1 Search on MISUMI official website  
tpr caster swivel

Step 2 Select MISUMI economy series brand  
 MISUMI  MISUMI economy

EX Example



### Material transport cart with Aluminum Frames and Casters.

A simple and inexpensive mechanism consists of aluminum frames, fasteners and casters, ideal for transporting light- and medium-weight goods and materials.

Casters

P.1289

Caster With Leveling Mounts

P.1344

Leveling Mounts

P.1346

18

Casters / Leveling Mounts

### MISUMI contact

Tel: 038-959200 or 1382  
Email: cs@misumi.co.th


### MISUMI WEB "Chat"



### Install MISUMI APP

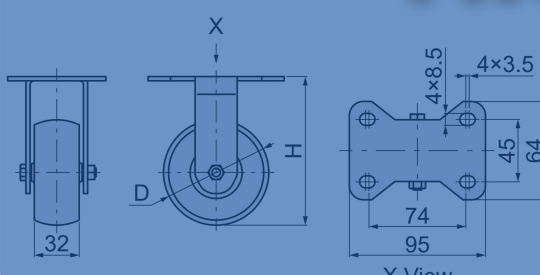






**Not Available**

	Material	Surface Treatment	Part Number	D	H	Allowable Load (daN)	Mass (g)
Body	Steel	Zinc Plating	E-DL20-10TPR-100	100	130	100	780
Wheel	TPR (Black)		E-DL21-10TPR-125	125	155	120	790



Ordering Example: Part Number E-DL20-10TPR-100


Product images are for representative purposes only.

Casters  
P.1289

Caster With Leveling Mounts  
P.1344

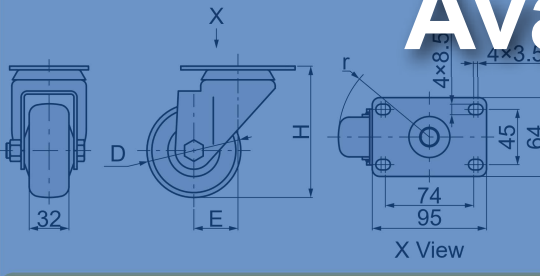
Leveling Mounts  
P.1346

18  
Casters / Leveling Mounts



**Not Available**

	Material	Surface Treatment	Part Number	D	H	E	r	Allowable Load (daN)	Mass (g)
Body	Steel	Zinc Plating	E-DL30-20TPR-75	105	33	72		80	760
Wheel	TPR (Black)								



Ordering Example: Part Number E-DL30-20TPR-75

Product images are for representative purposes only.

How to search on website



By Type

Search on MISUMI official website

E-DL



By Keyword

Step 1 Search on MISUMI official website

tpr caster swivel



Step 2 Select MISUMI economy series brand

MISUMI

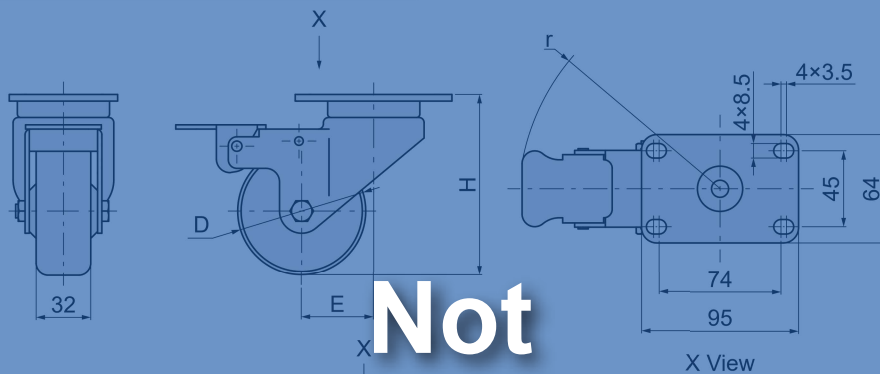




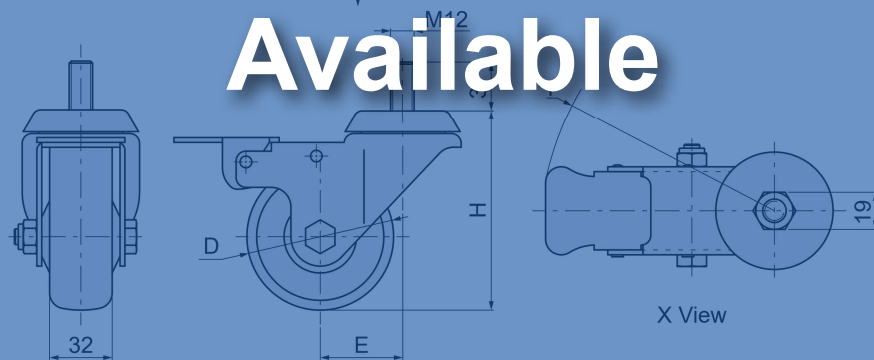
CAD 2D

	Material	Surface Treatment
Body	Steel	Zinc Plating
Wheel	TPR (Black)	-

Plate Mount



Screw-in Mount



**Not Available**

Part Number	Mount Type	D	H	E	r	Allowable Load (daN)	Mass (g)
<a href="#">E-DL17-22TPR-75</a>	Plate Mount	75	105	33	108	80	775
<a href="#">E-DL18-22TPR-100</a>		100	130	31.5	108	110	800
<a href="#">E-DL19-22TPR-125</a>		125	125	30	108	120	810
<a href="#">E-DL22-22TPR-75CV</a>	Screw-in Mount	75	105	33	108	80	780

Product images are for representative purposes only.

Ordering Example

Part Number  
**E-DL17-22TPR-75**

How to search on website



By Type  
Search on MISUMI official website

By Keyword  
Step 1 ▶ Search on MISUMI official website

Step 2 ▶ Select MISUMI economy series brand  
 MISUMI

**MISUMI contact**

Tel: 038-959200 or 1382  
Email: [cs@misumi.co.th](mailto:cs@misumi.co.th)

**MISUMI WEB "Chat"**



**Install MISUMI APP**



**Casters**  
P.1289

Caster With Leveling Mounts  
P.1344

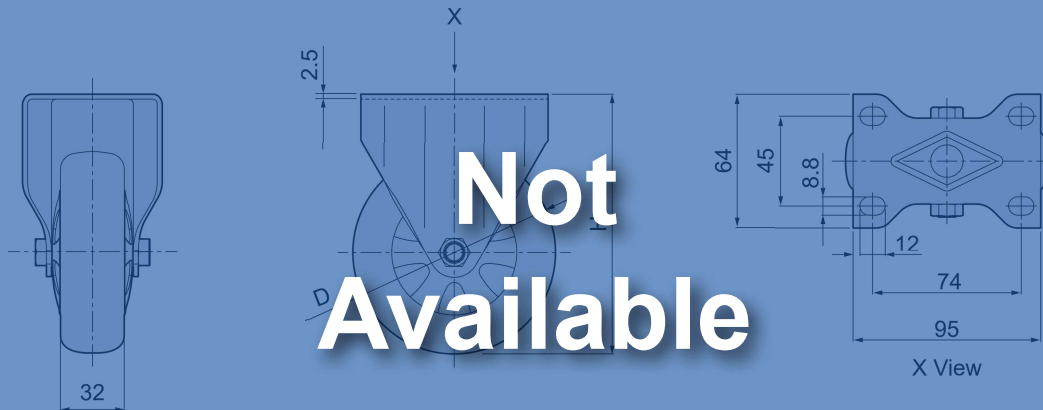
Leveling Mounts  
P.1346

**18**  
Casters / Leveling Mounts



CAD 2D

	Material	Surface Treatment
Body	Steel	Zinc Plating
Wheel	Heat-resistant Nylon (Black)	-



Casters  
P.1289

Caster With Leveling Mounts  
P.1344

Leveling Mounts  
P.1346

18

Casters / Leveling Mounts

Part Number	D	H	Allowable Load (daN)	Mass (g)
E-DL52-10NYPP-125	125	155	140	1500

Product images are for representative purposes only.

Ordering Example

Part Number  
E-DL52-10NYPP-125

How to search on website



By Type  
Search on MISUMI official website  
E-DL

By Keyword  
Step 1 Search on MISUMI official website  
heat resistant caster

Step 2 Select MISUMI economy series brand  
 MISUMI  MISUMI economy

### MISUMI contact

Tel: 038-959200 or 1382  
Email: cs@misumi.co.th

### MISUMI WEB "Chat"



### Install MISUMI APP

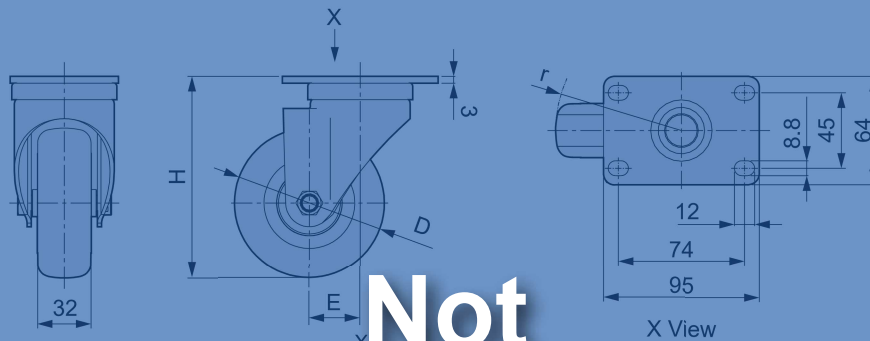




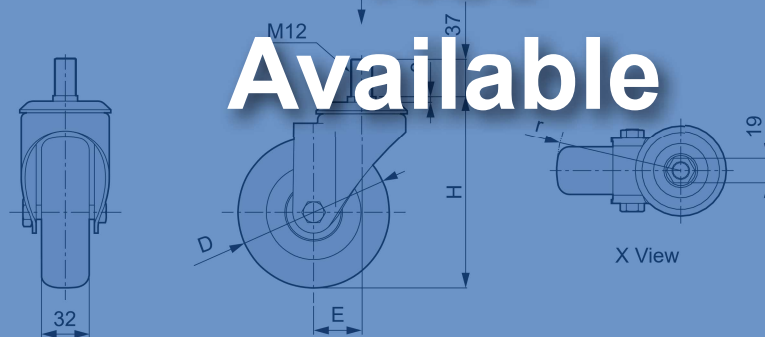
CAD 2D

	Material	Surface Treatment
Body	Steel	Zinc Plating
Wheel	Conductive Rubber (Grey)	-

Plate Mount



Screw-in Mount



# Not Available

Part Number	Mount Type	D	H	E	r	Allowable Load (daN)	Mass (g)
E-DL31-20TPR-75	Plate Mount	75	105	33	72	80	760
E-DL32-20TPR-100		100	130	31.5	82	100	780
E-DL34-20TPR-125		125	155	30	93	120	800
E-DL43-20TPR-75CV	Screw-in Mount	75	105	33	72	80	760
E-DL44-20TPR-100CV		100	130	31.5	82	100	790
E-DL46-20TPR-125CV		125	155	30	93	120	800

Product images are for representative purposes only.

Ordering Example

Part Number  
E-DL43-20TPR-75CV

How to search on website



By Type  
Search on MISUMI official website  
E-DL

By Keyword  
Step 1 Search on MISUMI official website  
conductive caster

Step 2 Select MISUMI economy series brand



MISUMI contact

Tel: 038-959200 or 1382  
Email: cs@misumi.co.th

MISUMI WEB "Chat"



Install MISUMI APP



Casters

P.1289

Caster With Leveling Mounts

P.1344

Leveling Mounts

P.1346

18

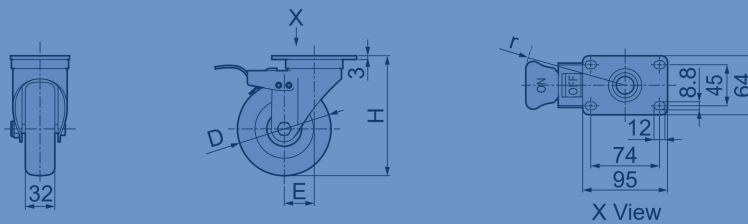
Casters / Leveling Mounts



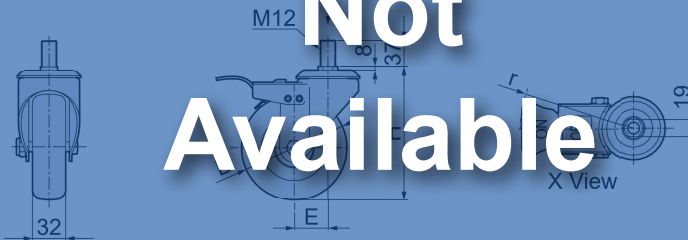
CAD 2D

	Material	Surface Treatment
Body	Steel	Zinc Plating
Wheel	Conductive Rubber (Grey)	-

Plate Mount



Screw-in Mount



**Not Available**

Part Number	Mount Type	D	H	E	r	Allowable Load (daN)	Mass (g)
E-DL39-22TPR-75	Plate Mount - Standard Stopper	75	105	33	108	80	775
E-DL40-22TPR-100		100	130	31.5	108	100	800
E-DL42-22TPR-125		125	155	30	108	120	810
E-DL47-22TPR-75CV	Screw-in Mount	75	105	33	108	80	775
E-DL48-22TPR-100CV		100	130	31.5	108	100	800
E-DL50-22TPR-125CV		125	155	30	108	120	810

Product images are for representative purposes only.

Ordering Example

Part Number  
E-DL47-22TPR-75CV

How to search on website



By Type  
Search on MISUMI official website  
E-DL

By Keyword  
Step 1 ▶ Search on MISUMI official website  
conductive caster

Step 2 ▶ Select MISUMI economy series brand

MiSUMI

MISUMI contact

Tel: 038-959200 or 1382  
Email: cs@misumi.co.th

MISUMI WEB "Chat"



Install MISUMI APP



Representative model: C-FMJ60-N



# 430

# THB



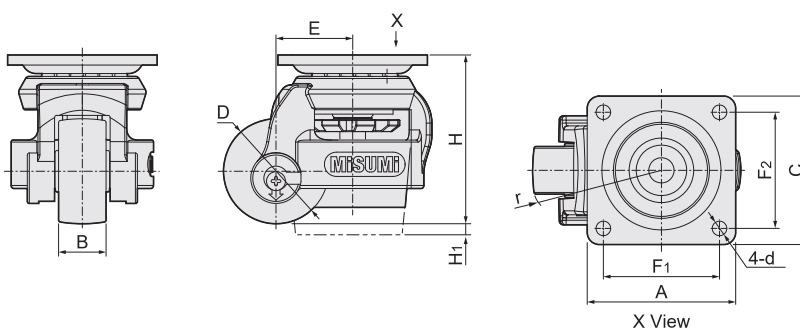
### Volume Discount

Quantity	1~3	4~5	6~
Discount	Unit Price	15%	30%



Shipping days may differ by Quantity.  
Quantity of volume discount above is for representative Part No. It may differ by the Part.

Body		Wheel	Bearing	
Material	Surface Treatment	Material (Color)	Rotating Part	Wheel Part
Aluminum Alloy	Plastic Spraying	Nylon (Black)	Provided	Not Provided



Part Number		③ Wheel Material	Wheel Dia. D	Mounting Height H	H <sub>1</sub>	A	C	F <sub>1</sub>	F <sub>2</sub>	d	E	r	B	Allowable Load (daN)	Weight (g)
① Type	② No.														
C-FMJ	40	N (Nylon)	40	71	7	55	55	42	42	6.5	30.5	50.5	18.5	50	340
	60		52	83	9	73.5	73.5	57.5	57.5	7	38	64	23.5	250	670
	80		62	102		90	90			8.2	46	77	27	500	1105
	100													750	1600
	120		75	123	14	95	95	70	70	11	57	94	29	1000	1575
	150		95	130		100	100			13	68.5	116.5	50	1500	2960

For height adjustment blocks, No.40 only have yellow adjustment blocks. No.60, 80 and 100 have yellow adjustment blocks and adjusting nuts. No.120 and 150 only have adjusting nuts.

### Ordering Example

Please order after selecting part number and parameters according to the selection steps ① to ③.

Part Number (①Type · ②No.) - ③Wheel Material  
C-FMJ60 - N

### How to search on website



By Type: Search on MISUMI official website  
C-FMJ

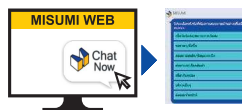
By Keyword: Step 1 Search on MISUMI official website Step 2 Select MISUMI economy series brand  
leveling caster

MISUMI  MISUMI economy

### MISUMI contact

Tel: 038-959200 or 1382  
Email: cs@misumi.co.th

### MISUMI WEB "Chat"



### Install MISUMI APP



# Caster With Leveling Mounts Fixed Screw-in Type

Representative model: C-FMS60-N



# 450

# THB



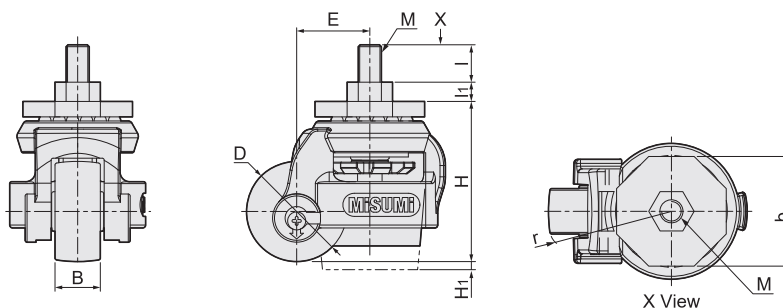
Volume Discount

Quantity	1~3	4~5	6~
Discount	Unit Price	15%	30%



Shipping days may differ by Quantity.  
Quantity of volume discount above is for representative Part No. It may differ by the Part.

Body		Wheel	Bearing	
Material	Surface Treatment	Material (Color)	Rotating Part	Wheel Part
Aluminum Alloy	Plastic Spraying	Nylon (Black)	Provided	Not Provided



Casters

P.1289

Caster With Leveling Mounts

P.1344

Leveling Mounts

P.1346

18

Casters / Leveling Mounts

Part Number		Wheel Material	Wheel Dia. D	Mounting Height H	H <sub>1</sub>	Thread Dia. (M)	l	l <sub>1</sub>	E	r	b	B	Allowable Load (daN)	Weight (g)
1 Type	2 No.													
C-FMS	40	N (Nylon)	40	71	7	M8	23	6.4	30.5	50.5	39	18.5	50	350
	60		52	82	9	M12	21.5	8	38	64	57	23.5	250	670
	80		62	102	14				46	77	65	27	500	1055
	100		75	123	M16	17.5	12.5	57	94	72	29	750	1550	
	120											1000	1580	

For height adjustment blocks, No.40 only have yellow adjustment blocks. No.60, 80 and 100 have yellow adjustment blocks and adjusting nuts. No.120 and 150 only have adjusting nuts.

Ordering Example

Please order after selecting part number and parameters according to the selection steps 1 to 3.

Part Number (1 Type · 2 No.) - (3 Wheel Material)  
C-FMS60 - N

How to search on website



By Type Search on MISUMI official website  
C-FMS

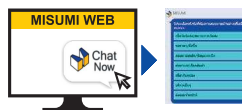
By Keyword Step 1 Search on MISUMI official website  
leveling caster

Step 2 Select MISUMI economy series brand  
 MISUMI  MISUMI economy

MISUMI contact

Tel: 038-959200 or 1382  
Email: cs@misumi.co.th

MISUMI WEB "Chat"



Install MISUMI APP







# Economy series Leveling Mounts

- Diversified Varieties
- Additional Load Specifications
- Easy Adjustment

vs Standard Type  
**Saving up to 80%**







### New MISUMI Economy Series Products

Type	MISUMI Economy series	Feature	Load Range (KG)	Type	MISUMI Economy series	Feature	Load Range (KG)
Metal Pad Universal Type		High corrosion resistance	1000~2500	With Holes for Positioning		Suitable for equipment that needs to be fixed	300~700
Anti-Slip Universal Type		Suitable for Heavy load anti-slip equipment	400~2500	Half-Moon-Shaped Eccentric Type		Suitable for installation in narrow space	120~140

### MISUMI Economy series load assurance

- The load of MISUMI economy series leveling mount is clearly indicated, and it is guaranteed by third-party testing for more assured use. Test results of allowable load according to GB standard

	MISUMI Economy series	Generic products on the market, which make customers confused on usage	Third party test report	Site test picture
Test Result	No obvious mechanical damage on the sample surface	Base Deformation		
Results After Test				

Casters  
 P.1289  
 Caster With Leveling Mounts  
 P.1344  
**Leveling Mounts**  
 P.1346  
**18**  
 Casters / Leveling Mounts



Representative model: C-CFJLM60-10-100



Save Up to **80%**  
vs Standard Type

**64**

**THB**



Volume Discount

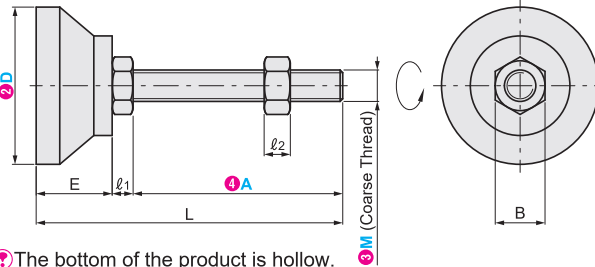
Quantity	1~29	30~49	50~
Discount	Unit Price	15%	30%



Shipping days may differ by Quantity.

Quantity of volume discount above is for representative Part No. It may differ by the Part.

Type	Thread		Base
	Material	Surface Treatment	Material
C-CFJLM	Steel (Q235)	Zinc Plating	Nylon
C-CFJLMS	SUS304	Natural Color	Nylon



The bottom of the product is hollow.

Part Number		③ Thread size M	④ Thread Length A	Body Height L	l <sub>1</sub>	l <sub>2</sub>	E	B	Allowable Load (kN)			
① Type	② Width D											
C-CFJLM (Q235)	50	8	50	79.5	5.5	6.5	24	13	1.8			
			80	109.5								
		10	100	136	7	8		17				
			80	117								
		60	12	100	137	8		10		29	19	
				120	157							
	100			139	10		13					24
	120			159								
	16	120	162	13	16	30						
		150	192									
	C-CFJLMS (SUS304)	80	16	100	135	10	13	25		24		
				120	155							
20			120	158	13	16	30					
			150	188								
24			150	190	15	19	36					
			180	220								
	200	240										
	200	240										
100	20	120	160	13	16	27	30					
		150	190									
	24	150	192	15	19		36					
		180	222									
	200	200	242									
		200	242									

“Allowable load” in this specification table is for the vertical direction only

For more information on product specifications and dimensional drawings, please refer to product catalog on the website.

Ordering Example

Please order after selecting part number and parameters according to the selection steps ① to ④.

Part Number (① Type · ② Width D) - ③ Thread size M - ④ Thread Length A  
 C-CFJLM60 - 10 - 100

How to search on website



By Type: Search on MISUMI official website  
 C-CFJLM

By Keyword: Step 1 Search on MISUMI official website  
 leveling mount

Step 2 Select MISUMI economy series brand  
 MISUMI  MISUMI economy

MISUMI contact

Tel: 038-959200 or 1382  
 Email: cs@misumi.co.th

MISUMI WEB “Chat”



Install MISUMI APP



Representative model: C-CAJPD10-100



Save Up to **77%** vs Standard Type

**104 THB**



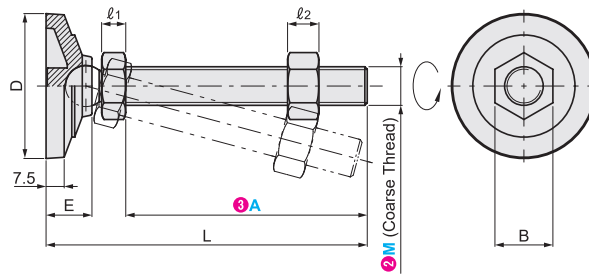
Volume Discount

Quantity	1~29	30~49	50~
Discount	Unit Price	15%	30%



Shipping days may differ by Quantity.  
Quantity of volume discount above is for representative Part No. It may differ by the Part.

Type	Thread		Base
	Material	Surface Treatment	Material
C-CAJPD	Steel (Q235)	Zinc Plating	Nylon
C-CAJPDS	SUS304	Natural Color	Nylon



The bottom of the product is hollow.

Part Number		③ Thread Length A	Body Height L	Width D	l <sub>1</sub>	l <sub>2</sub>	E	B	Allowable Load (kN)
① Type	② Thread size M								
C-CAJPD (Q235)	10	80	110	60	7	8	23	17	1.5
		100	130						
	12	120	151		8	10		19	
		C-CAJPDS (SUS304)	16		100	133		10	
120	153								
20	150		183		13	16		30	
	120		156						
		150	186						
		200	236						

“Allowable load” in this specification table is for the vertical direction only

For more information on product specifications and dimensional drawings, please refer to product catalog on the website.

Ordering Example

Please order after selecting part number and parameters according to the selection steps ① to ③.

Part Number (①Type · ②Thread Size M) - ③Thread Length A  
C-CAJPD10 - 100

How to search on website



By Type: Search on MISUMI official website  
C-CAJPD

By Keyword: Step 1 ▶ Search on MISUMI official website  
leveling mount

Step 2 ▶ Select MISUMI economy series brand



MISUMI contact

Tel: 038-959200 or 1382  
Email: cs@misumi.co.th

MISUMI WEB “Chat”



Install MISUMI APP



Casters

P.1289

Caster With Leveling Mounts  
P.1344

Leveling Mounts

P.1346

18

Casters / Leveling Mounts

Representative model: C-CPVC60-10-100



Save Up to **78%**  
vs Standard Type

**100** THB



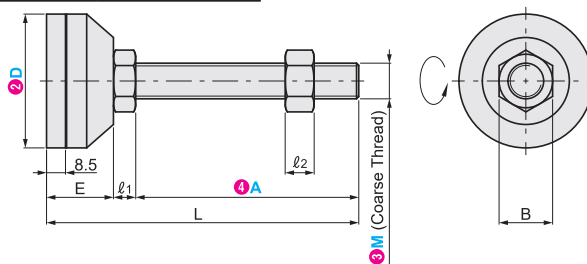
Volume Discount

Quantity	1~29	30~49	50~
Discount	Unit Price	15%	30%



Shipping days may differ by Quantity.  
Quantity of volume discount above is for representative Part No. It may differ by the Part.

Material			Surface Treatment	
Thread	Base	Rubber part	Thread	Base
Steel (Q235)	Steel (Q235)	PVC	Zinc Plating	Chromate Plating



The bottom of the product is hollow.

Part Number		3 Thread size M	4 Thread Length A	Body Height L	l <sub>1</sub>	l <sub>2</sub>	E	B	Allowable Load (kN)
1 Type	2 Width D								
C-CPVC	50	8	50	90	5.5	6.5	28	13	4
			80	120					
		10	117	7	8	17		5	
			137						
		12	138	8	10	19		6	
			158						
	60	16	140	10	13	30	24	7	
			160						
		20	190	13	16		30	8	
			163						
		100	193	10	13		24	7	
			243						
	80	16	149.5	10	13	31	24	7	
			169.5						
		20	199.5	13	16		30	8	
			172.5						
		150	202.5	15	19		36	10	
			252.5						
24	204.5	15	19	36	10				
	234.5								
		254.5							

Allowable load in this specification table is for the vertical direction only

For more information on product specifications and dimensional drawings, please refer to product catalog on the website.

Ordering Example

Please order after selecting part number and parameters according to the selection steps 1 to 4.

Part Number (1 Type · 2 Width D) - 3 Thread size M - 4 Thread Length A

C-CPVC60 - 10 - 100

How to search on website



By Type Search on MISUMI official website  
C-CPVC

By Keyword Step 1 Search on MISUMI official website  
leveling mount

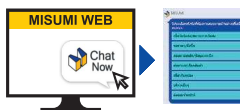
Step 2 Select MISUMI economy series brand



MISUMI contact

Tel: 038-959200 or 1382  
Email: cs@misumi.co.th

MISUMI WEB "Chat"



Install MISUMI APP



# Leveling Mounts PVC Yellow Pad, With 2 Holes

Representative model: C-CPVCH100-12-100



Save Up to **63%** vs Standard Type

**193**

THB



### Volume Discount

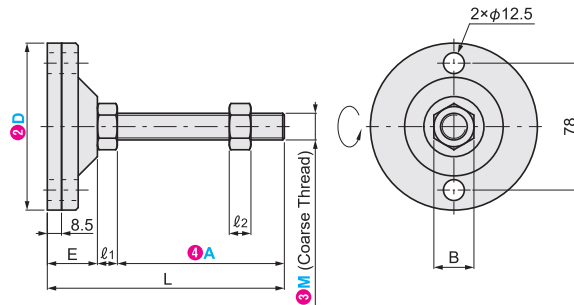
Quantity	1~9	10~14	15~
Discount	Unit Price	15%	30%



Shipping days may differ by Quantity.

Quantity of volume discount above is for representative Part No. It may differ by the Part.

Material			Surface Treatment	
Thread	Base	Rubber part	Thread	Base
Steel (Q235)	Steel (Q235)	PVC	Zinc Plating	Zinc Plating



The bottom of the product is hollow.

Part Number		③ Thread size M	④ Thread Length A	Body Height L	l <sub>1</sub>	l <sub>2</sub>	E	B	Allowable Load (kN)
① Type	② Width D								
C-CPVCH	100	12	100	138	8	10	30	19	7
			120	158					
		16	100	140	10	13		24	8
			150	190					
		20	120	163	13	16		30	9
			150	193					
			200	243					
		24	150	195	15	19		36	10
			180	225					
			200	245					

“Allowable load” in this specification table is for the vertical direction only

For more information on product specifications and dimensional drawings, please refer to product catalog on the website.

### Ordering Example

Please order after selecting part number and parameters according to the selection steps ① to ④.

Part Number (① Type · ② Width D) - ③ Thread size M - ④ Thread Length A  
 C-CPVCH100 - 12 - 100



By Type Search on MISUMI official website  
 C-CPVCH

By Keyword Step 1 Search on MISUMI official website  
 leveling mount

Step 2 Select MISUMI economy series brand  
 MISUMI  MISUMI economy

### MISUMI contact

Tel: 038-959200 or 1382  
 Email: cs@misumi.co.th

### MISUMI WEB “Chat”



### Install MISUMI APP



Casters

P.1289

Caster With Leveling Mounts P.1344

Leveling Mounts P.1346

18

Casters / Leveling Mounts

Representative model: C-CFJFN60-10-100

Save Up to **56%**  
vs Standard Type

Shipping  
from  
**1 day**



**82 THB**

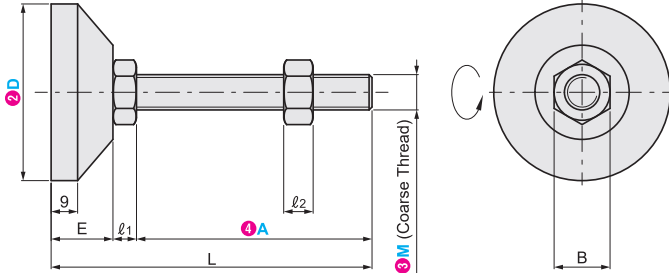
Volume Discount

Quantity	1~29	30~49	50~
Discount	Unit Price	15%	30%



⚠ Shipping days may differ by Quantity.  
⚠ Quantity of volume discount above is for representative Part No. It may differ by the Part.

Type	Material		Surface Treatment	
	Thread	Base	Thread	Base
C-CFJFN	Steel (Q235)	Steel (Q235)	Zinc Plating	Zinc Plating
C-CFJFNS	SUS304	SUS304	Natural Color	-



⚠ The bottom of the product is hollow.

Part Number	② Width D	③ Thread size M	④ Thread Length A	Body Height L	l <sub>1</sub>	l <sub>2</sub>	E	B	Allowable Load (kN)				
C-CFJFN (Q235)	50	8	50	76.5	5.5	6.5	21	13	4				
			80	106.5									
		60	10	80	108	7		8	21	17	5		
				100	128								
			12	80	100	109		8		10	21	19	6
					150	179							
	16			100	131	10	13	24		7			
				150	181								
	C-CFJFNS (SUS304)	80	16	100	134	13	16	22	30	8			
				120	154								
			20	100	132	10	13		24	7			
				120	152								
150				182	13	16	30				8		
200				234									
100	20	100	132	10	13	21.5	24	7					
		120	152										
	24	150	185	13	16		30	8					
		200	235										
		150	187	15	19				36	10			
		200	217										
100	20	120	154	13	16	21.5	30	9					
		150	184										
	24	150	186	15	19		36	10					
		180	216										
		200	234	15	19				21.5	36	10		
		200	236										

⚠ "Allowable load" in this specification table is for the vertical direction only

⚠ For more information on product specifications and dimensional drawings, please refer to product catalog on the website.

Ordering Example

Please order after selecting part number and parameters according to the selection steps ① to ④.

Part Number (① Type · ② Width D) - ③ Thread size M - ④ Thread Length A  
C-CFJFN60 - 10 - 100

How to search on website



By Type: Search on MISUMI official website  
C-CFJFN

By Keyword: Step 1 Search on MISUMI official website  
leveling mount

Step 2 Select MISUMI economy series brand  
 MiSUMI

MISUMI contact

Tel: 038-959200 or 1382  
Email: cs@misumi.co.th

MISUMI WEB "Chat"



Install MISUMI APP



Representative model: C-CNFJN10-100



Save Up to **55%** vs Standard Type

**41**

**THB**



Volume Discount

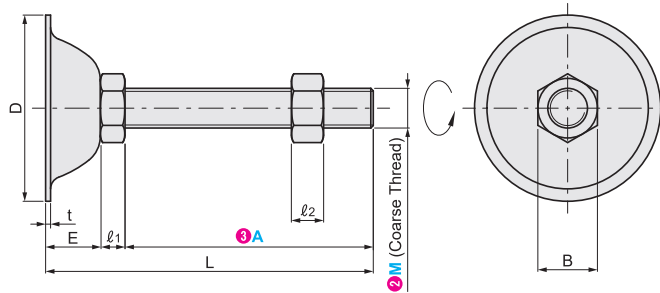
Quantity	1~29	30~49	50~
Discount	Unit Price	15%	30%



Shipping days may differ by Quantity.

Quantity of volume discount above is for representative Part No. It may differ by the Part.

Type	Material		Surface Treatment	
	Thread	Base	Thread	Base
C-CNFJN	Steel (Q235)	Steel (Q235)	Zinc Plating	Zinc Plating
C-CNFJNS	SUS304	SUS304	Natural Color	Electrolytic polishing



The bottom of the product is hollow.

Part Number	Thread size M	Thread Length A	Body Height L	Width D	l <sub>1</sub>	l <sub>2</sub>	E	B	t	Allowable Load (kN)
C-CNFJN (Q235)	10	80	99.5	38	7	8	12.5	17	1.6	4
		100	119.5							
C-CNFJNS (SUS304)	12	120	128	60	8	10	20	19	2	4.5
		100	132							
		120	152							
		150	182							
C-CNFJNS (SUS304)	16	120	155	75	13	16	22	30	2	5.5
		150	185							
		200	235							

“Allowable load” in this specification table is for the vertical direction only

For more information on product specifications and dimensional drawings, please refer to product catalog on the website.

Ordering Example

Please order after selecting part number and parameters according to the selection steps 1 to 3.

Part Number (1 Type · 2 Thread Size M) - 3 Thread Length A  
**C-CNFJN10** - **100**

How to search on website



By Type Search on MISUMI official website  
**C-CNFJN**

By Keyword Step 1 Search on MISUMI official website  
**leveling mount**

Step 2 Select MISUMI economy series brand  
 MISUMI  MISUMI economy

MISUMI contact

Tel: 038-959200 or 1382  
 Email: cs@misumi.co.th

MISUMI WEB “Chat”



Install MISUMI APP



Casters

P.1289

Caster With Leveling Mounts P.1344

Leveling Mounts P.1346

18

Casters / Leveling Mounts

Representative model: C-CFBR60-12-100



Save Up to **51%** vs Standard Type

**182** THB



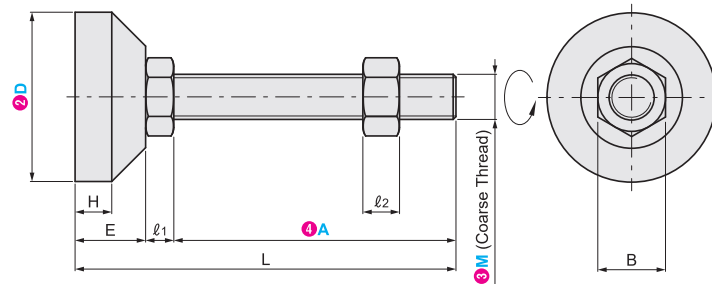
Volume Discount

Quantity	1~9	10~14	15~
Discount	Unit Price	15%	30%



Shipping days may differ by Quantity.  
Quantity of volume discount above is for representative Part No. It may differ by the Part.

Thread		Base
Material	Surface Treatment	Material
Steel (Q235)	Zinc Plating	Rubber



The bottom of the product is hollow.

Part Number	Thread size M	Thread Length A	Body Height L	$l_1$	$l_2$	E	B	H	Allowable Load (kN)
C-CFBR	12	100	133	8	10	25	19	13	1
		120	153						
		100	135						
		120	155						
	16	150	185	10	13	29	24	14	2
		100	139						
		120	159						
		150	189						
	20	150	195	13	16	32	30	17.5	3.5
		200	245						
		120	168						
		150	198						
24	200	248	15	19	35	36	17	4	
	150	200							
	180	230							
	200	250							

"Allowable load" in this specification table is for the vertical direction only.  
For more information on product specifications and dimensional drawings, please refer to product catalog on the website.

Ordering Example

Please order after selecting part number and parameters according to the selection steps 1 to 4.

Part Number (1 Type · 2 Width D) - 3 Thread size M - 4 Thread Length A  
 C-CFBR60 - 12 - 100

How to search on website



By Type: Search on MISUMI official website  
 C-CFBR

By Keyword: Step 1 Search on MISUMI official website Step 2 Select MISUMI economy series brand  
 leveling mount

MISUMI  MISUMI economy

MISUMI contact

Tel: 038-959200 or 1382  
 Email: cs@misumi.co.th

MISUMI WEB "Chat"



Install MISUMI APP



Representative model: C-CFJFNV60-10-100



Save Up to **76%** vs Standard Type

**111**

THB



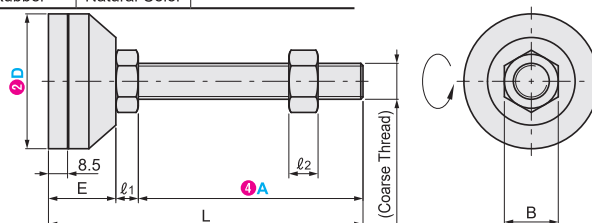
Volume Discount

Quantity	1~29	30~49	50~
Discount	Unit Price	15%	30%



Shipping days may differ by Quantity.  
Quantity of volume discount above is for representative Part No. It may differ by the Part.

Type	Material			Surface Treatment	
	Thread	Base	Rubber part	Thread	Base
C-CFJFNV	Steel (Q235)	Steel (Q235)	Rubber	Zinc Plating	Chromate Plating
C-CFJFNVS	SUS304	SUS304	Rubber	Natural Color	-



The bottom of the product is hollow.

Part Number	Thread size	Thread Length	Body Height	$l_1$	$l_2$	E	B	Allowable Load (kN)	
① Type	③ M	④ A	L						
C-CFJFNV (Q235)	50	8	50	84.5	5.5	6.5	29	13	4
		10	80	114.5					
	60	10	80	116	7	8		17	5
			100	136					
		12	80	117	8	10		19	6
			100	137					
		16	100	139	10	13	24	7	
			120	157					
	C-CFJFNVS (SUS304)	16	100	139	10	13	30	24	7
			120	159					
		20	150	189	13	16		30	8
			120	162					
80		16	100	140	10	13		24	7
			120	160					
		20	150	190	13	16	30	8	
			120	163					
		24	150	193	15	19	36	10	
			180	225					
100		20	150	193	13	16	30	9	
			200	243					
	24	150	195	15	19	36	10		
		180	225						
	200	163	193	13	16	30	9		
		243	243						

Allowable load in this specification table is for the vertical direction only

For more information on product specifications and dimensional drawings, please refer to product catalog on the website.

Ordering Example

Please order after selecting part number and parameters according to the selection steps ① to ④.

Part Number (① Type · ② Width D) - ③ Thread size M - ④ Thread Length A

C-CFJFNV60 - 10 - 100

How to search on website



By Type: Search on MISUMI official website

By Type: C-CFJFNV

By Keyword: Step 1 Search on MISUMI official website Step 2 Select MISUMI economy series brand

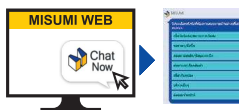
By Keyword: leveling mount

MISUMI  MISUMI economy

MISUMI contact

Tel: 038-959200 or 1382  
Email: cs@misumi.co.th

MISUMI WEB "Chat"



Install MISUMI APP



Casters  
P.1289  
Caster With Leveling Mounts  
P.1344  
Leveling Mounts  
P.1346  
18  
Casters / Leveling Mounts



Representative model: C-CFJGN10-100



Save Up to **72%**  
vs Standard Type

Shipping  
from  
**1 day**

**49 THB**

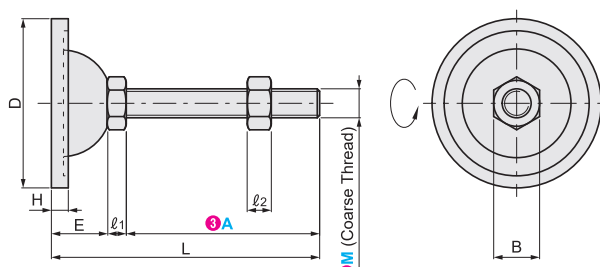
Volume Discount

Quantity	1~29	30~49	50~
Discount	Unit Price	15%	30%



⚠ Shipping days may differ by Quantity.  
⚠ Quantity of volume discount above is for representative Part No. It may differ by the Part.

Material			Surface Treatment	
Thread	Base	Rubber part	Thread	Base
Steel (Q235)	Steel (Q235)	Rubber	Zinc Plating	Zinc Plating



⚠ The bottom of the product is hollow.

Part Number	1 Type	2 Thread size M	3 Thread Length A	Body Height L	Width D	l <sub>1</sub>	l <sub>2</sub>	E	B	H	Allowable Load (kN)	
												C-CFJGN
P.1289 Caster With Leveling Mounts P.1344 Leveling Mounts P.1346 18 Casters / Leveling Mounts	8	8	60	81	45	5.5	6.5	15.5	13	6	2.07	
			80	102.5							2.25	
	10	10	100	122.5	70	7	8	23	19	7	2.34	
			80	111							3.51	
	12	12	100	131	80	8	10	25	24	8	3.69	
			120	151							3.87	
	16	16	100	135	13	10	13	30	24	8	4.59	
			120	155							4.86	
	20	20	150	185	13	13	16	30	24	8	5.04	
			150	188							6.66	
				200	238							7.65

⚠ "Allowable load" in this specification table is for the vertical direction only  
⚠ For more information on product specifications and dimensional drawings, please refer to product catalog on the website.

Ordering Example

Please order after selecting part number and parameters according to the selection steps 1 to 3.

Part Number (1 Type · 2 Thread Size M) - 3 Thread Length A  
C-CFJGN10 - 100

How to search on website



By Type: Search on MISUMI official website  
C-CFJGN

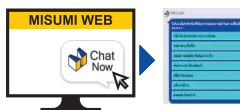
By Keyword: Step 1 Search on MISUMI official website  
leveling mount

Step 2 Select MISUMI economy series brand  
 MISUMI  MISUMI economy

MISUMI contact

Tel: 038-959200 or 1382  
Email: cs@misumi.co.th

MISUMI WEB "Chat"



Install MISUMI APP



Representative model: C-CFJSNS50-12-80



Save Up to **75%**  
vs Standard Type

**147 THB**



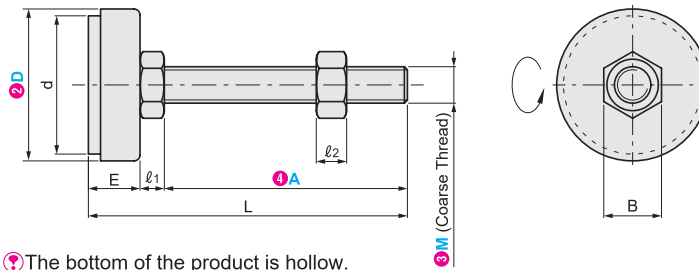
Volume Discount

Quantity	1~9	10~14	15~
Discount	Unit Price	15%	30%



Shipping days may differ by Quantity.  
Quantity of volume discount above is for representative Part No. It may differ by the Part.

Type	Material			Surface Treatment	
	Thread	Base	Rubber part	Thread	Base
C-CFJSN	Steel (Q235)	Steel (Q235)	Rubber	Zinc Plating	Electro Plating (Black)
C-CFJSNS	SUS304	SUS304	Rubber	Natural Color	Electrolytic polishing



The bottom of the product is hollow.

Part Number	① Thread size M	④ Thread Length A	Body Height L	d	l <sub>1</sub>	l <sub>2</sub>	E	B	Allowable Load (kN)						
C-CFJSN (Q235)	40	8	60	82.5	35.5	5.5	6.5	13	3.5						
		10	80	104		7	8								
	50	12	80	105	45.5	8	10	17	4						
			100	125											
	60	16	80	107	55.5	10	13	17	24						
			100	127											
			150	177											
			120	130											
	C-CFJSNS (SUS304)	80	20	120	150	75.5	13	16	19	30					
				150	179										
			24	120	152						15	19			
				150	182										
100			20	150	184						95.5	13	16	19	36
				200	214										
	150	182		15	19										
	200	232													
100	24	150	184	95.5	13	16	19	30							
		200	214												
		150	184						15	19					
		200	234												

① "Allowable load" in this specification table is for the vertical direction only  
② For more information on product specifications and dimensional drawings, please refer to product catalog on the website.

Ordering Example

Please order after selecting part number and parameters according to the selection steps ① to ④.

Part Number (① Type · ② Width D) - ③ Thread size M - ④ Thread Length A  
C-CFJSNS50 - 12 - 80

How to search on website



By Type

Search on MISUMI official website

C-CFJSN

By Keyword

Step 1 Search on MISUMI official website

leveling mount

Step 2 Select MISUMI economy series brand

MISUMI

MISUMI contact

Tel: 038-959200 or 1382  
Email: cs@misumi.co.th

MISUMI WEB "Chat"



Install MISUMI APP



Casters

P.1289

Caster With Leveling Mounts

P.1344

Leveling Mounts

P.1346

18

Casters / Leveling Mounts

New Products



Representative model: E-CFJFND80-16-100

Save Up to **35%** vs Standard Type

**502**

THB

Shipping from **1 day**

Volume Discount

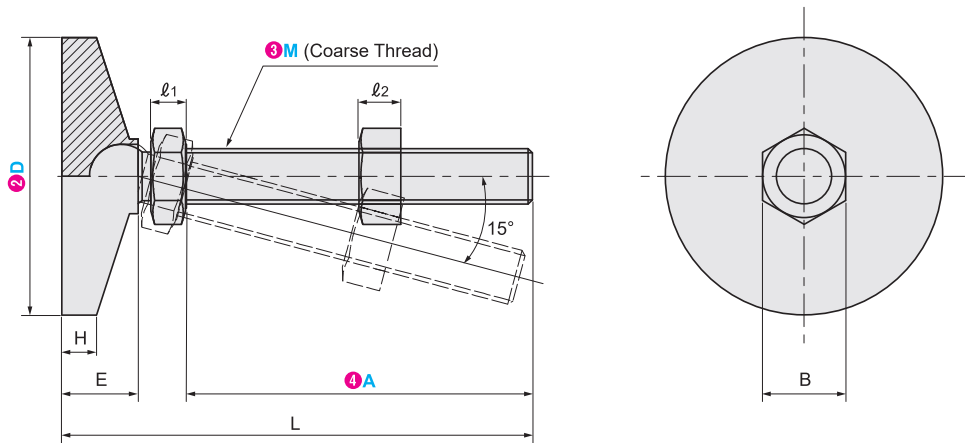
Quantity	4~5	6~
Discount	Unit Price	15%



Shipping days may differ by Quantity.

Quantity of volume discount above is for representative Part No. It may differ by the Part.

Type	Material		Surface Treatment	
	Thread	Base	Thread	Base
E-CFJFND	Steel (Q235)		Zinc Plating	
E-CFJFNDS	SUS304		Polishing	



The bottom of the product is hollow.

Part Number	1 Type	2 Width D	3 Thread size M	4 Thread Length A	Body Height L	l 1	l 2	E	H	B	Allowable Load (kN)
E-CFJFND (Q235) E-CFJFNDS (SUS304)	80		16	100	135.5	10	13	21.5	10	24	10
				150	185.5						
			20	100	138.5	13	16			30	15
				150	188.5						
	100		20	100	141.5	13	16	24.5	13	30	20
				150	191.5						
			24	100	142.5	14	19			36	25
				150	192.5						
			180	222.5							

"Allowable load" in this specification table is for the vertical direction only

For more information on product specifications and dimensional drawings, please refer to product catalog on the website.

Ordering Example

Please order after selecting part number and parameters according to the selection steps 1 to 4.

Part Number (1 Type · 2 Width D) - 3 Thread size M - 4 Thread Length A  
E-CFJFND80 - 16 - 100

How to search on website



By Type Search on MISUMI official website  
E-CFJFND

By Keyword Step 1 Search on MISUMI official website  
leveling mount

Step 2 Select MISUMI economy series brand

MISUMI economy

MISUMI contact

Tel: 038-959200 or 1382  
Email: cs@misumi.co.th

MISUMI WEB "Chat"



Install MISUMI APP



New Products

Representative model: E-CFJFNVD80-16-100



Shipping from **1 day**

# 540

# THB

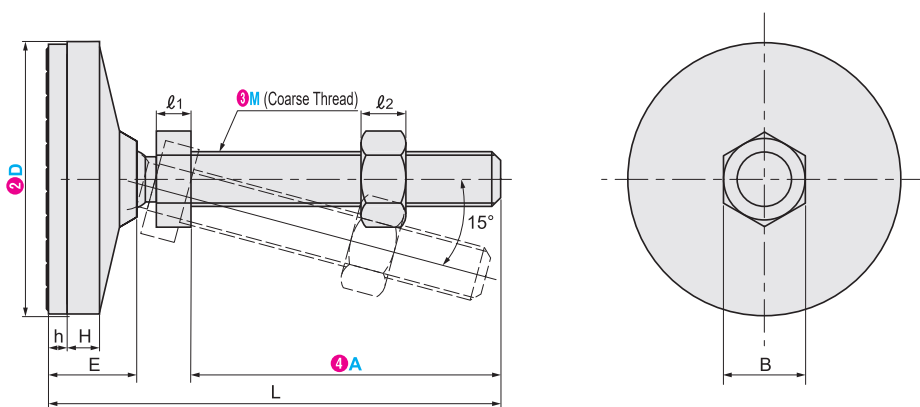
Volume Discount

Quantity	4~5	6~
Discount	Unit Price	15%



Shipping days may differ by Quantity.  
Quantity of volume discount above is for representative Part No. It may differ by the Part.

Type	Material			Surface Treatment	
	Thread	Base	Rubber part	Thread	Base
E-CFJFNVD	S45C		Rubber	Zinc Plating	Chromate Plating
E-CFJFNVDS	SUS304			Polishing	



The bottom of the product is hollow.

Part Number	1 Type	2 Width D	3 Thread size M	4 Thread Length A	Body Height L	l 1	l 2	E	H	h	B	Allowable Load (kN)
E-CFJFNVD (S45C) E-CFJFNVDS (SUS304)	65		12	100	137	8	10	24	8	6	19	4
				150	187							
			16	100	139	10	13				24	4
				150	189							
	80		16	100	141	10	13	26	9	6	24	10
				150	191							
			20	100	144	13	16				30	14
				150	194							
			200	100	148	13	16				30	20
				150	198							
	100		20	100	150	13	16	29	10	7	30	20
				150	198							
200			100	150	15	19	36				25	
			150	200								
200	150	250										

Allowable load in this specification table is for the vertical direction only

For more information on product specifications and dimensional drawings, please refer to product catalog on the website.

Ordering Example

Please order after selecting part number and parameters according to the selection steps 1 to 4.

Part Number (1 Type · 2 Width D) - 3 Thread size M - 4 Thread Length A

E-CFJFNVD80 - 16 - 100

How to search on website



By Type Search on MISUMI official website

E-CFJFNVD

By Keyword Step 1 Search on MISUMI official website

leveling mount

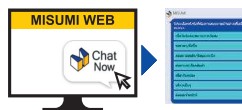
Step 2 Select MISUMI economy series brand



MISUMI contact

Tel: 038-959200 or 1382  
Email: cs@misumi.co.th

MISUMI WEB "Chat"



Install MISUMI APP



Casters

P.1289

Caster With Leveling Mounts

P.1344

Leveling Mounts

P.1346

18

Casters / Leveling Mounts

New Products

Representative model: E-FJWNQ75-16-100



Shipping from **1 day**

# 156

# THB

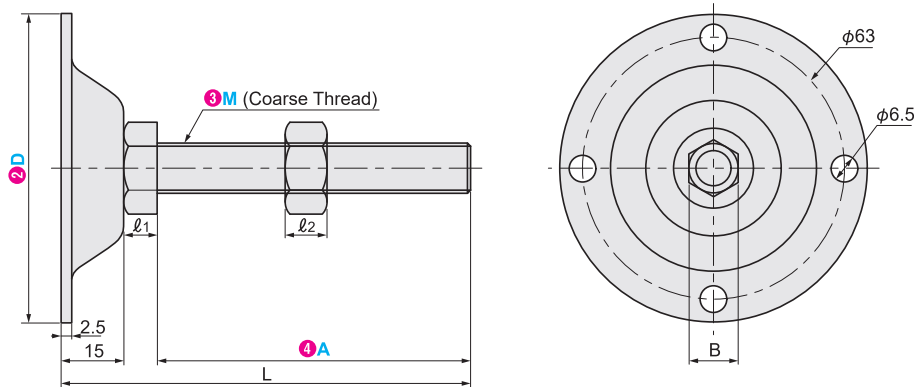
Volume Discount

Quantity	4~9	10~14	15~
Discount	Unit Price	15%	30%



Shipping days may differ by Quantity.  
Quantity of volume discount above is for representative Part No. It may differ by the Part.

Material		Surface Treatment	
Thread	Base	Thread	Base
Steel (Q235)		Zinc Plating	



The bottom of the product is hollow.

Part Number		③ Thread size M	④ Thread Length A	Body Height L	l 1	l 2	B	Allowable Load (kN)
① Type	② Width D							
E-FJWNQ	75	12	50	73	8	10	19	3
			100	123				
			150	173				
		16	50	75	10	13	24	6
			100	125				
			150	175				
20	100	128	13	16	30	7		
	150	178						

“Allowable load” in this specification table is for the vertical direction only.  
For more information on product specifications and dimensional drawings, please refer to product catalog on the website.

Ordering Example

Please order after selecting part number and parameters according to the selection steps ① to ④.

Part Number (① Type · ② Width D) - ③ Thread size M - ④ Thread Length A  
 E-FJWNQ75 - 16 - 100

How to search on website



By Type: Search on MISUMI official website  
 E-FJWNQ

By Keyword: Step 1 ▶ Search on MISUMI official website  
 leveling mount

Step 2 ▶ Select MISUMI economy series brand  
 MISUMI  MISUMI economy

MISUMI contact

Tel: 038-959200 or 1382  
 Email: cs@misumi.co.th

MISUMI WEB “Chat”



Install MISUMI APP



New Products

Representative model: E-FJWH90-16-100



# 173

# THB

Shipping from **1 day**

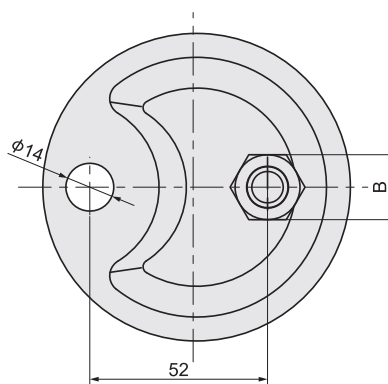
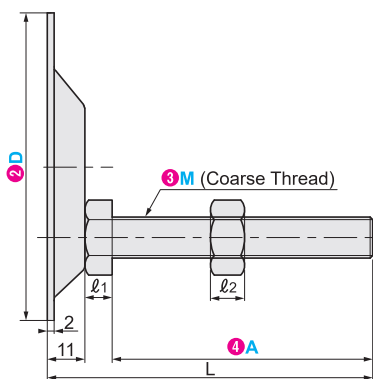
Volume Discount

Quantity	4~9	10~14	15~
Discount	Unit Price	15%	30%



Shipping days may differ by Quantity.  
Quantity of volume discount above is for representative Part No. It may differ by the Part.

Type	Material		Surface Treatment	
	Thread	Base	Thread	Base
E-FJWH	Steel (Q235)		Zinc Plating	
E-FJWHB			Electro Plating	
E-FJWHS	SUS304		Polishing	



The bottom of the product is hollow.

Part Number		③ Thread size M	④ Thread Length A	Body Height L	ℓ 1	ℓ 2	B	Allowable Load (kN)
① Type	② Width D							
<b>E-FJWH</b> (Q235 Zinc Plating) <b>E-FJWHB</b> (Q235 Electro Plating) <b>E-FJWHS</b> (SUS304 Polishing)	90	12	50	69	8	10	19	1.2
			100	119				
		16	50	71	10	13	24	
			100	121				
			150	171				

“Allowable load” in this specification table is for the vertical direction only

For more information on product specifications and dimensional drawings, please refer to product catalog on the website.

Ordering Example

Please order after selecting part number and parameters according to the selection steps ① to ④.

Part Number (①Type · ②Width D) - ③Thread size M - ④Thread Length A  
 E-FJWH90 - 16 - 100

How to search on website



By Type Search on MISUMI official website  
 E-FJWH

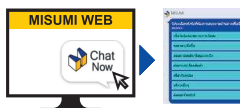
By Keyword Step 1 ▶ Search on MISUMI official website  
 leveling mount

Step 2 ▶ Select MISUMI economy series brand  
 MISUMI  MISUMI economy

MISUMI contact

Tel: 038-959200 or 1382  
 Email: cs@misumi.co.th

MISUMI WEB “Chat”



Install MISUMI APP

